

# MIBAG

 **Energiezuführungen**

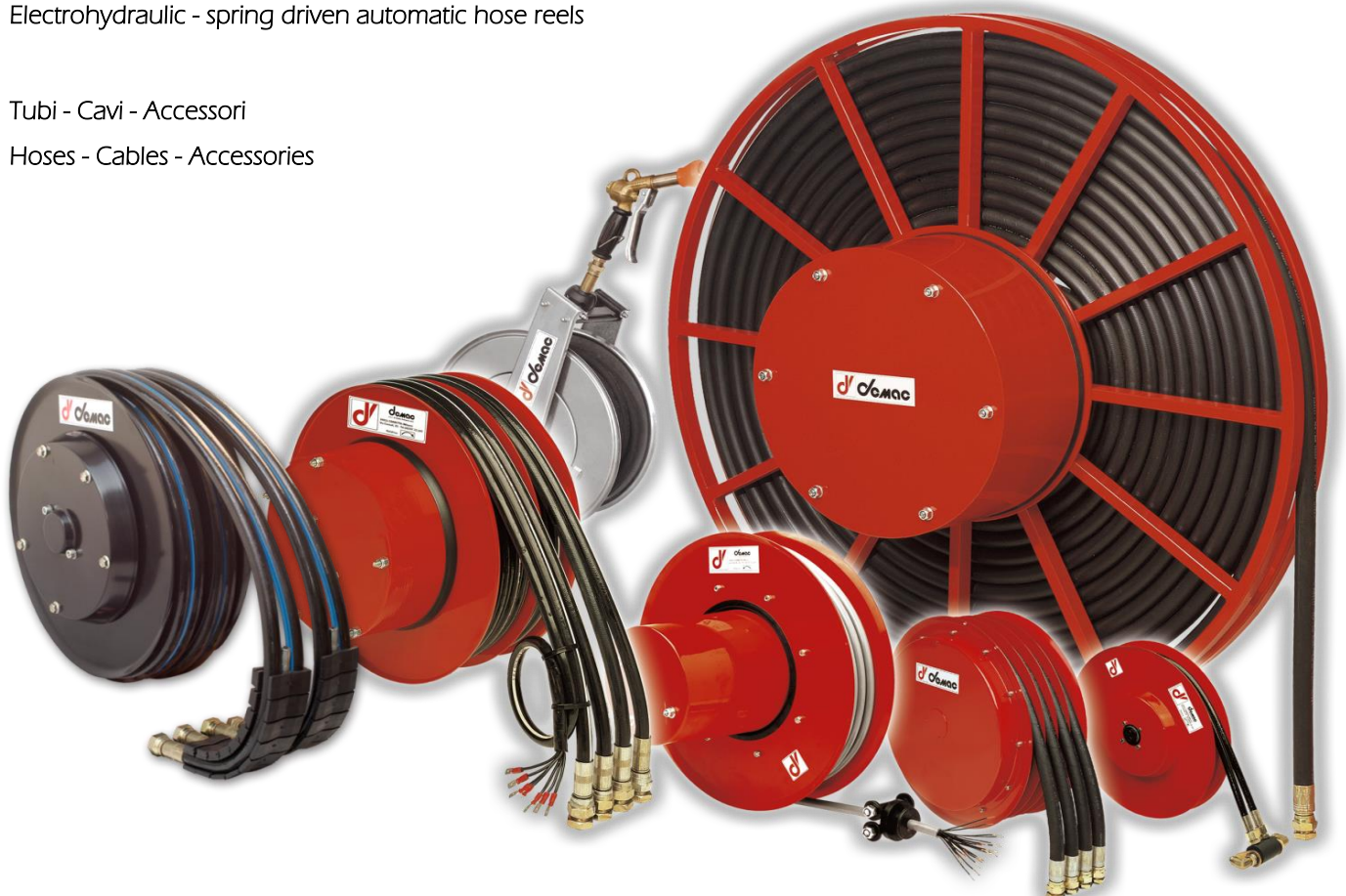
Avvolgitubo idraulici automatici  
Hydraulic spring driven hose reels

Avvolgitubo e avvolgicavo industriali a molla - utilizzo generico  
Spring driven hose and cable reels for the industry - generic purpose

Avvolgitori automatici per cavi elettrici - Sensori di sfilo e angolo  
Automatic reels for electrical cables - Length and angle transducers

Avvolgitubo elettroidraulici automatici a molla  
Electrohydraulic - spring driven automatic hose reels

Tubi - Cavi - Accessori  
Hoses - Cables - Accessories



## SALES PROGRAM

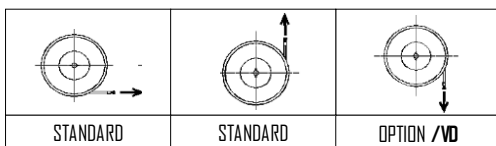
151

**AVVOLGITUBO GEMELLATO A 2 VIE IDRAULICHE**  
**ENROULEUR HYDRAULIQUE À 2 TUYAUX**

**TWIN HOSE REEL**  
**DOPPELSCHLAUCHROLLE**

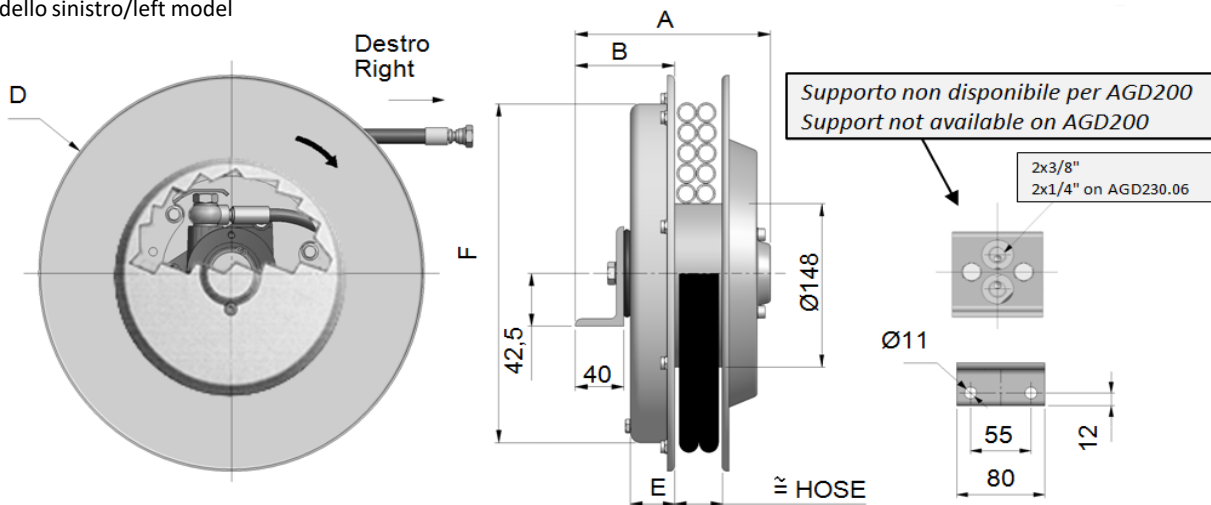
**AG Compact**

Max flow rate: 30 l/min  
 Working pressure: standard 300 bar  
 optional 400 bar  
 Max hose speed: 30 m/min  
 Temperature range: -20/+80°C  
 Optional temperature range: -40/+80°C



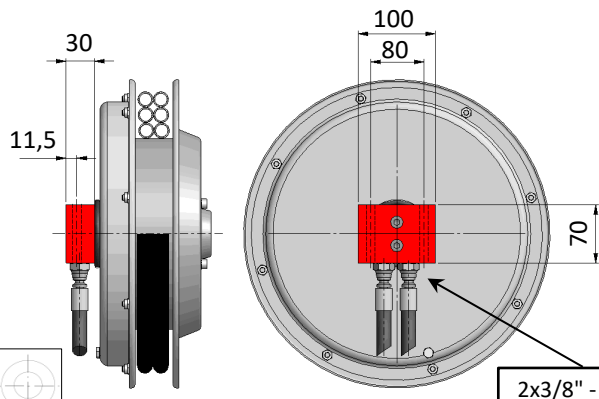
**Corsa verticale verso il basso opzionale = CODICE/VD**  
**Vertical downwards is optional = CODE/VD**

AGD340=modello destro/right model  
 AGS340=modello sinistro/left model



Disegno tecnico disponibile a richiesta   
 Technical drawing available on request

Modello destro Right model	A	B	D	E	F	Senza tubo Without hose	Con tubo / With hose R7-R8-B1					Con tubo / With hose B2		
							Ø	Lungh. totale Total length	Lungh. utile Usable length	R7 XX=R7	R8 XX=R8	B1 XX=B1	Lungh. totale Total length	Lungh. utile Usable length
	mm					kg		m	m			m	m	
AGD200.05.XX	133	65	200	30	195	10	3/16"	1.9	1.7			-	-	
AGD200.06.XX							1/4"	1.5	1.3			-	-	
AGD230.05.XX	141	75	235	30	228	11	3/16"	3.0	2.7			-	-	
AGD230.06.XX							1/4"	2.2	1.9			2.1	1.8	
AGD230.08.XX							5/16"	2.0	1.7			2.2	1.9	
AGD230.10.XX							3/8"	2.0	1.7			1.6	1.3	
AGD270.05.XX	154	75	275	30	272	12	3/16"	4.5	4.2			-	-	
AGD270.06.XX							1/4"	4.0	3.7			3.7	3.4	
AGD270.08.XX							5/16"	3.2	2.9			2.6	2.3	
AGD270.10.XX							3/8"	2.8	2.5			2.5	2.2	
AGD295.06.XX	160	75	295	35	272	13	1/4"	4.7	4.4			4.6	4.3	
AGD295.08.XX							5/16"	4.2	3.9			3.5	3.2	
AGD295.10.XX							3/8"	3.6	3.3			3.0	2.7	
AGD320.06.XX	160	82	325	37	272	14	1/4"	5.5	5.2			5.6	5.3	
AGD320.08.XX							5/16"	5.0	4.7			4.0	3.7	
AGD320.10.XX							3/8"	4.5	4.2			4.0	3.7	
AGD340.06.XX	160	82	340	37	272	14	1/4"	6.0	5.7			5.6	5.3	
AGD340.08.XX							5/16"	5.3	5			4.5	4.2	
AGD340.10.XX							3/8"	4.6	4.3			4.3	4.0	



Aggiungere "/B" al codice dell'articolo  
 Add "/B" to the article code

Ref. / B

Ex.: AGD 295.10.R7 / B

2x3/8" - (2x1/4" on AGD200)

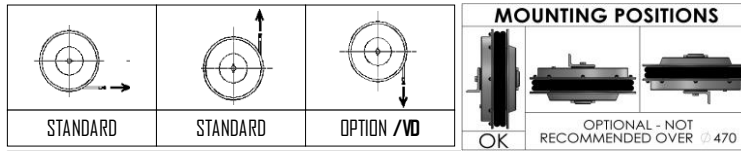
**AVVOLGITUBO GEMELLATO A 2 VIE IDRAULICHE**  
**ENROULEUR HYDRAULIQUE À 2 TUYAUX**

**TWIN HOSE REEL**  
**DOPPELSCHLAUCHROLLE**

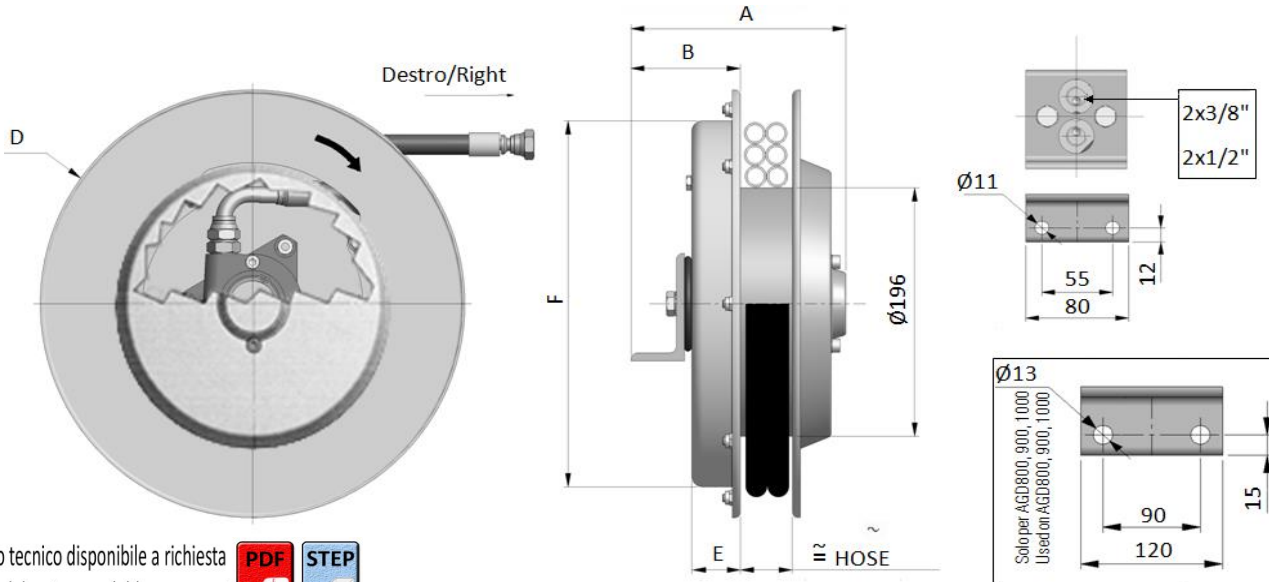
**AG - Standard**

Max flow rate: 40 l/min  
 Working pressure: standard 300 bar  
 optional 400 bar  
 Max hose speed: 30 m/min  
 Temperature range: -20/+80°C  
 Optional temperature range: -40/+80°C

AGD400=modello destro/right model  
 AGS400=modello sinistro/left model



**Corsa verticale verso il basso opzionale = CODICE/VD**  
**Vertical downwards is optional = CODE/VD**



Disegno tecnico disponibile a richiesta   
 Technical drawing available on request

Modello destro Right model	A	B	D	E	F	Senza tubo Without hose		Tubo/Hose		Con tubo - with hose				
						kg	Ø	Lungh.totale	Lungh.utile	R7	R8	B1	B2	T2
								Total length	Usable length	XX=R7	XX=R8	XX=B1	XX=B2	XX=T2
mm						m								
AGD296.06.XX	161	75	295	35	291	13	1/4"	3.0	2.7					
AGD296.08.XX							5/16"	2.3	2.0					
AGD296.10.XX							3/8"	2.3	2.0					
AGD296.12.XX							1/2"	1.5	1.2					
AGD321.06.XX	161	82	325	37	272	14	1/4"	4.0	3.7					
AGD321.08.XX							5/16"	3.2	2.9					
AGD321.10.XX							3/8"	3.3	3.0					
AGD321.12.XX							1/2"	2.5	2.2					
AGD341.06.XX	161	82	340	37	272	14	1/4"	5.0	4.7					
AGD341.08.XX							5/16"	4.2	3.9					
AGD341.10.XX							3/8"	4.0	3.7					
AGD341.12.XX							1/2"	2.5	2.2					
AGD370.06.XX	161	82	370	37	272	14,5	1/4"	6.0	5.7					
AGD370.08.XX							5/16"	5.3	5.0					
AGD370.10.XX							3/8"	4.5	4.2					
AGD370.12.XX							1/2"	3.5	3.2					
AGD400.06.XX	161	82	400	47	322	15	1/4"	7.3	7.0					
AGD400.08.XX							5/16"	6.5	6.2					
AGD400.10.XX							3/8"	5.6	5.3					
AGD400.12.XX							1/2"	4.5	4.2					
AGD420.06.XX	161	82	420	47	322	19	1/4"	8.6	8.1					
AGD420.08.XX							5/16"	8.0	7.5					
AGD420.10.XX							3/8"	6.7	6.2					
AGD420.12.XX							1/2"	4.7	4.2					
AGD470.06.XX	161	82	478	47	322	21	1/4"	11.5	11.0					
AGD470.08.XX							5/16"	10.0	9.5					
AGD470.10.XX							3/8"	9.5	9.0					
AGD470.12.XX							1/2"	7.5	7.0					

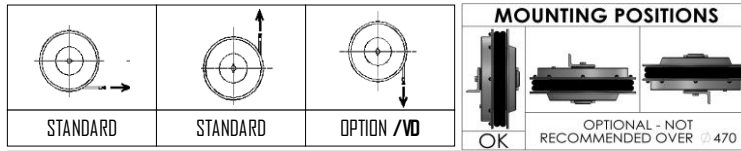
**AVVOLGITUBO GEMELLATO A 2 VIE IDRAULICHE  
ENROULEUR HYDRAULIQUE À 2 TUYAUX**

**TWIN HOSE REEL  
DOPPELSCHLAUCHROLLE**

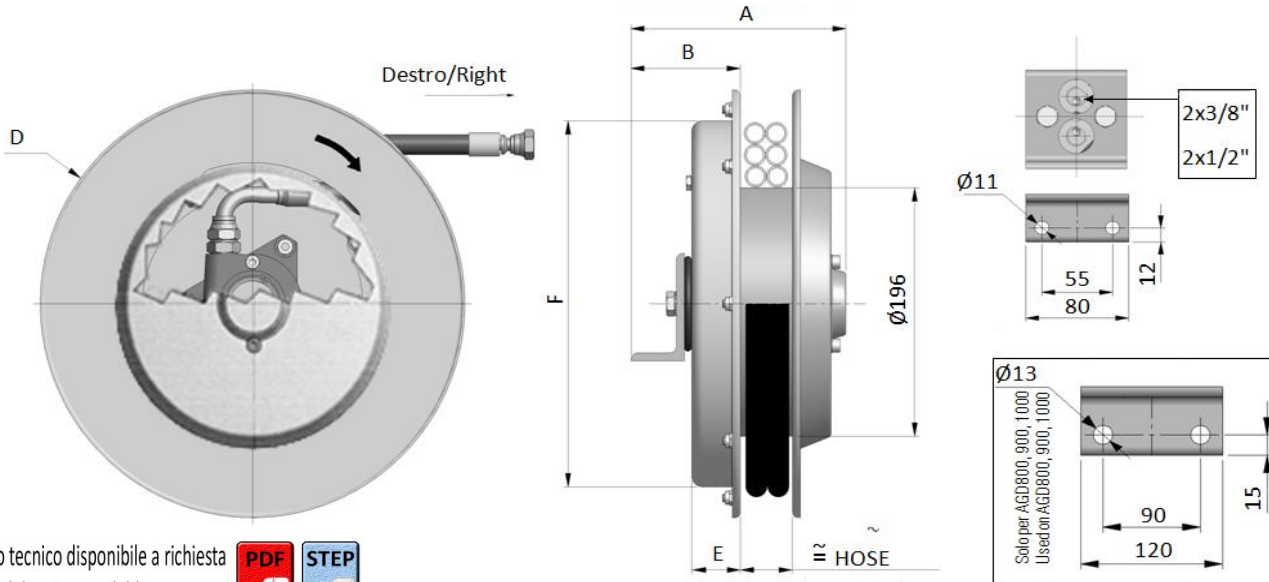
**AG - Standard**

Max flow rate: 40 l/min  
 Working pressure: standard 300 bar  
 optional 400 bar  
 Max hose speed: 30 m/min  
 Temperature range: -20/+80°C  
 Optional temperature range: -40/+80°C

AGD400=modello destro/right model  
 AGS400=modello sinistro/left model



**Corsa verticale verso il basso opzionale = CODICE/VD**  
**Vertical downwards is optional = CODE/VD**



Disegno tecnico disponibile a richiesta   
 Technical drawing available on request

Modello destro Right model	A	B	D	E	F	Senza tubo Without hose	Tubo/Hose			Con tubo - with hose				
							Ø	Lungh.totale	Lungh.utile	R7	R8	B1	B2	T2
								Total length	Usable length	XX=R7	XX=R8	XX=B1	XX=B2	XX=T2
						kg	m	m						
AGD520.06.XX	171	92	520	47	422	23	1/4"	14.5	14.0					
AGD520.08.XX							5/16"	12.5	12.0					
AGD520.10.XX							3/8"	11.2	10.7					
AGD520.12.XX							1/2"	9.0	8.5					
AGD570.06.XX	171	92	570	47	422	28	1/4"	17.5	17.0					
AGD570.08.XX							5/16"	15.5	15.0					
AGD570.10.XX							3/8"	13.5	13.0					
AGD570.12.XX							1/2"	10.7	10.2					
AGD600.06.XX	171	92	620	47	422	34	1/4"	21.0	20.5					
AGD600.08.XX							5/16"	17.0	16.5					
AGD600.10.XX							3/8"	16.0	15.5					
AGD600.12.XX							1/2"	12.5	12.0					
AGD650.06.XX	181	102	650	57	422	37	1/4"	22.5	22.0					
AGD650.08.XX							5/16"	19.5	19.0					
AGD650.10.XX							3/8"	17.5	17.0					
AGD650.12.XX							1/2"	14.5	14.0					
AGD700.06.XX	181	102	720	57	532	40	1/4"	27.0	26.5					
AGD700.08.XX							5/16"	22.0	21.5					
AGD700.10.XX							3/8"	20.0	19.5					
AGD700.12.XX							1/2"	16.0	15.5					
AGD800.08.XX	226	122	820	67	532	47	5/16"	30.0	29.0					
AGD800.10.XX							3/8"	26.0	25.0					
AGD800.12.XX							1/2"	21.0	20.0					
AGD900.08.XX	226	122	920	67	532	60	5/16"	38.0	37.0					
AGD900.10.XX							3/8"	34.0	33.0					
AGD900.12.XX							1/2"	28.0	27.0					
AGD950.10.XX	232	126	950	67	687	70	3/8"	37.0	36.0					
AGD950.12.XX							1/2"	31.0	30.0					
AGD1000.10.XX	232	126	1000	67	687	75	3/8"	40.0	39.0					
AGD1000.12.XX							1/2"	35.0	34.0					



AVVOLGITUBO A 2 VIE IDRAULICHE

2 PORT HOSE REEL

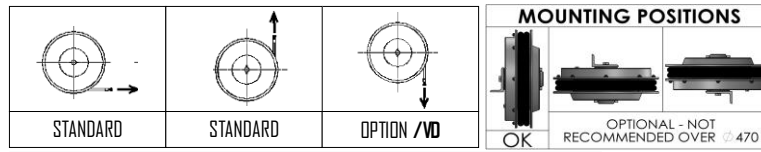
ENROULEUR HYDRAULIQUE À 2 TUYAUX

DOPPELSCHLAUCHROLLE

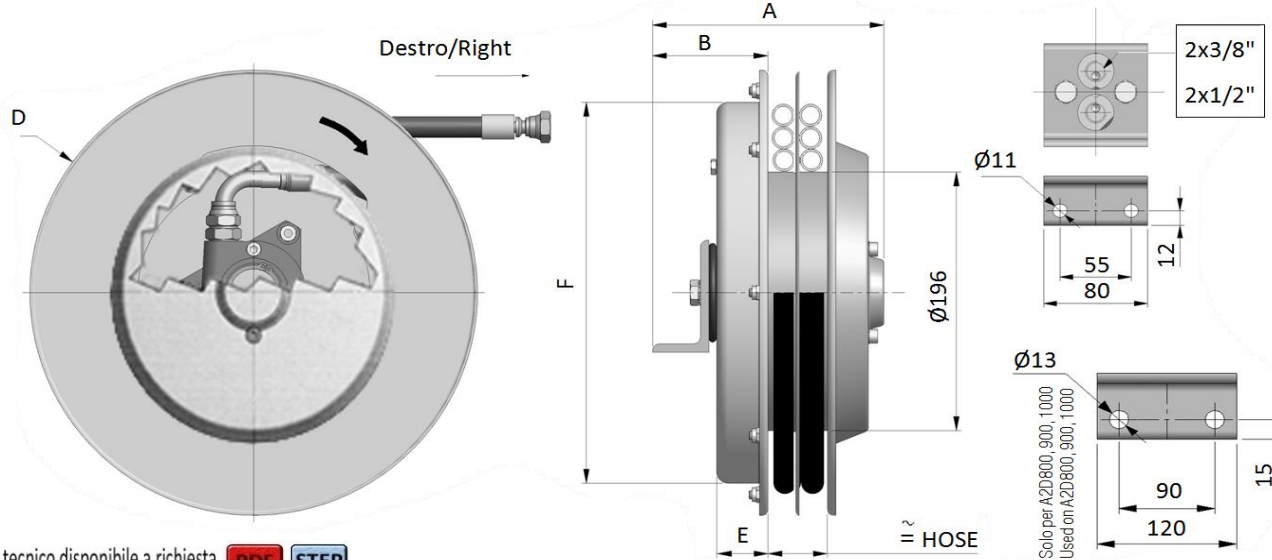
A2

Max flow rate: 40 l/min  
 Working pressure: standard 300 bar  
 optional 400 bar  
 Max hose speed: 30 m/min  
 Temperature range: -20/+80°C  
 Optional temperature range: -40/+80°C

A2D400=modello destro/right model  
 A2S400=modello sinistro/left model



Corsa verticale verso il basso opzionale = CODICE/VD  
 Vertical downwards is optional = CODE/VD



Disegno tecnico disponibile a richiesta  
 Technical drawing available on request

Modello destro Right model	A	B	D	E	F	Senza tubo Without hose		Ø	Con tubo - with B1 / T2 / B3 hose					Con tubo - with 4SP hose		
						kg	Lungh.totale Total length		Lungh. Utile Usable length	B1 XX=B1	T2 XX=T2	B3 XX=B3	Lungh.totale Total length	Lungh.utile Usable length	4SP XX=4SP	
																m
A2D296.06.XX	161	75	295	35	291	13		1/4"	2.3	2.0				-	-	
A2D296.08.XX							5/16"	1.4	1.1							
A2D296.10.XX							3/8"	1.5	1.2							
A2D296.12.XX							1/2"	1.5	1.2							
A2D321.06.XX	161	82	325	37	272	14		1/4"	3.3	3.0				-	-	
A2D321.08.XX							5/16"	2.3	2.0							
A2D321.10.XX							3/8"	2.4	2.1							
A2D321.12.XX							1/2"	1.5	1.2							
A2D341.06.XX	161	82	340	37	272	14		1/4"	3.3	3.0				-	-	
A2D341.08.XX							5/16"	3.3	3.0							
A2D341.10.XX							3/8"	2.4	2.1							
A2D341.12.XX							1/2"	2.5	2.2							
A2D370.06.XX	161	82	370	37	272	15		1/4"	4.3	4.0				-	-	
A2D370.08.XX							5/16"	4.4	4.1							
A2D370.10.XX							3/8"	3.5	3.2							
A2D370.12.XX							1/2"	3.6	3.3							
A2D400.06.XX	161	82	400	47	322	15		1/4"	5.5	5.2				-	-	
A2D400.08.XX							5/16"	5.7	5.4							
A2D400.10.XX							3/8"	4.6	4.3							
A2D400.12.XX							1/2"	4.5	4.2							
A2D420.06.XX	161	82	420	47	322	19		1/4"	6.7	6.2				-	-	
A2D420.08.XX							5/16"	5.7	5.2							
A2D420.10.XX							3/8"	4.6	4.3							
A2D420.12.XX							1/2"	4.7	4.2							
A2D470.06.XX	161	82	478	47	322	21		1/4"	9.5	9.0				-	-	
A2D470.08.XX							5/16"	8.4	7.9							
A2D470.10.XX							3/8"	7.3	6.8							
A2D470.12.XX							1/2"	6.3	5.8			3.6	3.3			

AVVOLGITUBO A 2 VIE IDRAULICHE

2 PORT HOSE REEL

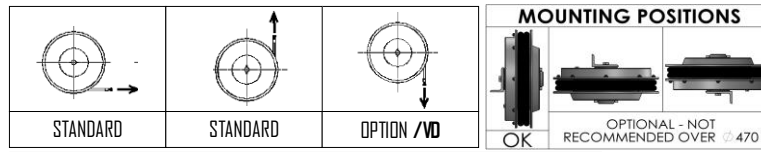
ENROULEUR HYDRAULIQUE À 2 TUYAUX

DOPPELSCHLAUCHROLLE

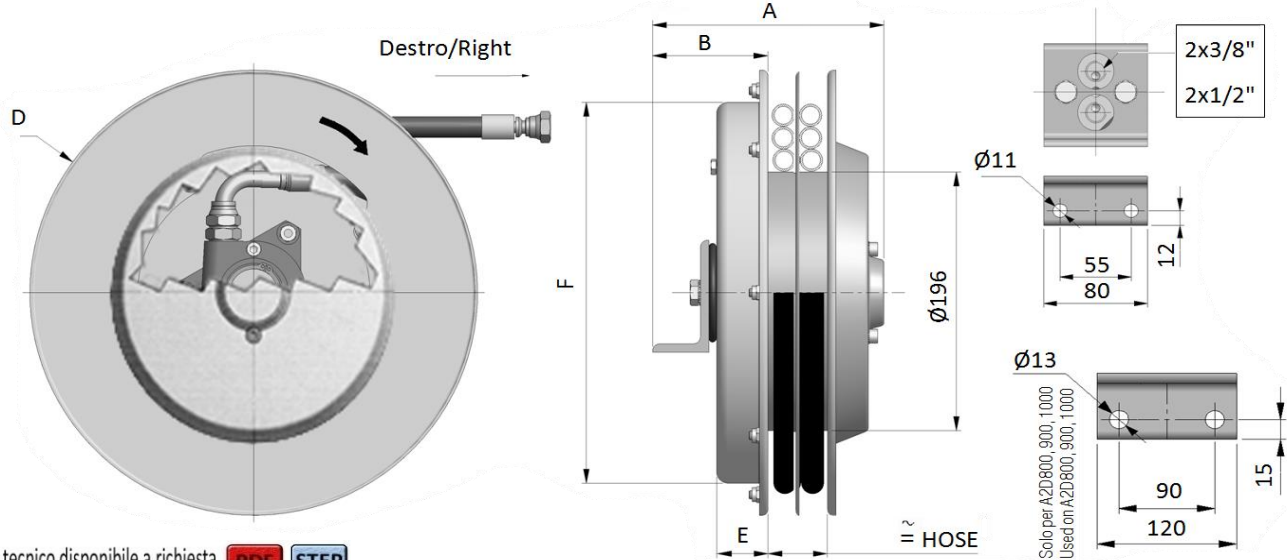
A2

Max flow rate: 40 l/min  
 Working pressure: standard 300 bar  
 optional 400 bar  
 Max hose speed: 30 m/min  
 Temperature range: -20/+80°C  
 Optional temperature range: -40/+80°C

A2D400=modello destro/right model  
 A2S400=modello sinistro/left model



Corsa verticale verso il basso opzionale = CODICE/VD  
 Vertical downwards is optional = CODE/VD



Disegno tecnico disponibile a richiesta  
 Technical drawing available on request

Modello destro Right model	A	B	D	E	F	Senza tubo Without hose		Ø	Con tubo - with B1 / T2 / B3 hose			Con tubo - with 4SP hose				
						kg	Lungh. totale Total length		Lungh. Utile Usable length	B1	T2	B3	Lungh. totale Total length	Lungh. utile Usable length	4SP	
										XX=B1	XX=T2	XX=B3	XX=4SP			
A2D520.06.XX	171	92	520	47	322	23		1/4"	11.1	10.6				-	-	
A2D520.08.XX					5/16"			9.9	9.4							
A2D520.10.XX					3/8"			10.0	9.5							
A2D520.12.XX					1/2"			7.9	7.4			5.0	4.7			
A2D570.06.XX	171	92	570	47	422	28		1/4"	14.5	14.0				-	-	
A2D570.08.XX					5/16"			11.6	11.1							
A2D570.10.XX					3/8"			12.0	11.5							
A2D570.12.XX					1/2"			9.7	9.2			6.7	6.2			
A2D600.06.XX	171	92	620	47	422	34		1/4"	16.3	15.8				-	-	
A2D600.08.XX					5/16"			15.2	14.7							
A2D600.10.XX					3/8"			15.0	14.5							
A2D600.12.XX					1/2"			11.4	10.9			8.5	8.0			
A2D650.06.XX	181	102	650	57	422	37		1/4"	18.3	17.8				-	-	
A2D650.08.XX					5/16"			17.2	16.7							
A2D650.10.XX					3/8"			17.0	16.5							
A2D650.12.XX					1/2"			11.8	11.3			10.5	10.0			
A2D700.06.XX	181	102	720	57	532	40		1/4"	22.5	22.0				-	-	
A2D700.08.XX					5/16"			19.3	18.8							
A2D700.10.XX					3/8"			18.5	18.0							
A2D700.12.XX					1/2"			15.0	14.5			12.6	12.1			

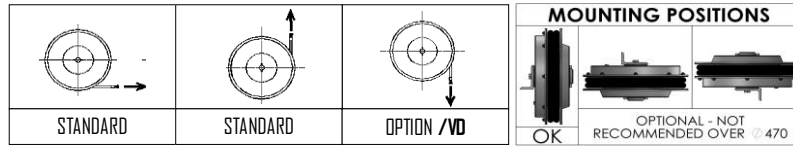
**AVVOLGITUBO GEMELLATO A 2 VIE IDRAULICHE "FLANGIA"**  
**ENROULEUR HYDRAULIQUE À 2 TUYAUX "BRIDE"**

**TWIN HOSE REEL "FLANGE"**  
**DOPPELSCHLAUCHROLLE "FLANSCH"**

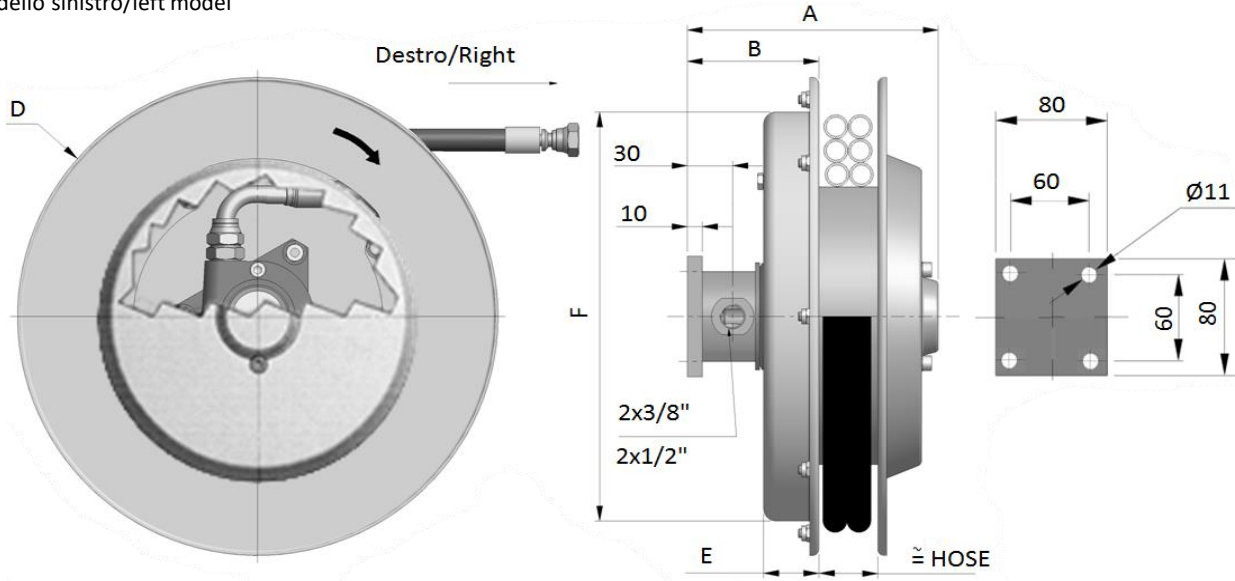
**AG/F**

Max flow rate: 40 l/min  
 Working pressure: standard 300 bar  
 optional 400 bar  
 Max hose speed: 30 m/min  
 Temperature range: -20/+80°C  
 Optional temperature range: -40/+80°C

AGD400=modello destro/right model  
 AGS400=modello sinistro/left model



**Corsa verticale verso il basso opzionale = CODICE/VD**  
**Vertical downwards is optional = CODE/VD**



Disegno tecnico disponibile a richiesta PDF STEP  
 Technical drawing available on request

Modello destro Right model	A	B	D	E	F	Senza tubo Without hose		Con tubo/With hose							
						kg	Ø	Lungh. totale Total length m	Lungh. Utile Usable length m	R7	R8	B1	B2	T2	
										XX=R7	XX=R8	XX=B1	XX=B2	XX=T2	
AGD270.06.XX/F	166	87	275	30	270	10		1/4"	4.0	3.7					
AGD270.08.XX/F								5/16"	3.2	2.9					
AGD270.10.XX/F								3/8"	2.8	2.5					
AGD296.06.XX/F	166	87	295	35	291	13		1/4"	3.0	2.7					
AGD296.08.XX/F								5/16"	2.3	2.0					
AGD296.10.XX/F								3/8"	2.3	2.0					
AGD296.12.XX/F	212							1/2"	1.5	1.2					
AGD321.06.XX/F	166	87	325	37	272	14		1/4"	4.0	3.7					
AGD321.08.XX/F								5/16"	3.2	2.9					
AGD321.10.XX/F								3/8"	3.3	3.0					
AGD321.12.XX/F	212							1/2"	2.5	2.2					
AGD341.06.XX/F	166	87	340	37	272	14		1/4"	5.0	4.7					
AGD341.08.XX/F								5/16"	4.2	3.9					
AGD341.10.XX/F								3/8"	4.0	3.7					
AGD341.12.XX/F	212							1/2"	2.5	2.2					
AGD370.06.XX/F	166	87	370	37	272	14,5		1/4"	6.0	5.7					
AGD370.08.XX/F								5/16"	5.3	5.0					
AGD370.10.XX/F								3/8"	4.5	4.2					
AGD370.12.XX/F	212							1/2"	3.5	3.2					
AGD400.06.XX/F	166	87	400	37	322	15		1/4"	7.3	7.0					
AGD400.08.XX/F								5/16"	6.5	6.2					
AGD400.10.XX/F								3/8"	5.6	5.3					
AGD400.12.XX/F	212							1/2"	4.5	4.2					
AGD420.06.XX/F	176	97	420	47	322	19		1/4"	8.6	8.1					
AGD420.08.XX/F								5/16"	8.0	7.5					
AGD420.10.XX/F								3/8"	6.7	6.2					
AGD420.12.XX/F	212							1/2"	4.7	4.2					
AGD470.06.XX/F	176	97	478	47	322	21		1/4"	11.5	11.0					
AGD470.08.XX/F								5/16"	10.0	9.5					
AGD470.10.XX/F								3/8"	9.5	9.0					
AGD470.12.XX/F	212							1/2"	7.5	7.0					

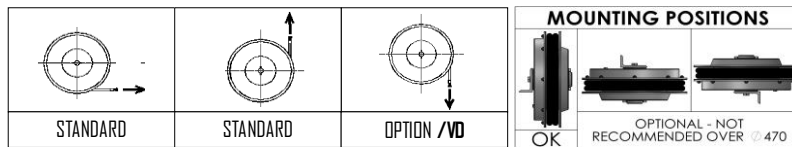
**AVVOLGITUBO GEMELLATO A 2 VIE IDRAULICHE "FLANGIA"**  
**ENROULEUR HYDRAULIQUE À 2 TUYAUX "BRIDE"**

**TWIN HOSE REEL "FLANGE"**  
**DOPPELSCHLAUCHROLLE "FLANSCH"**

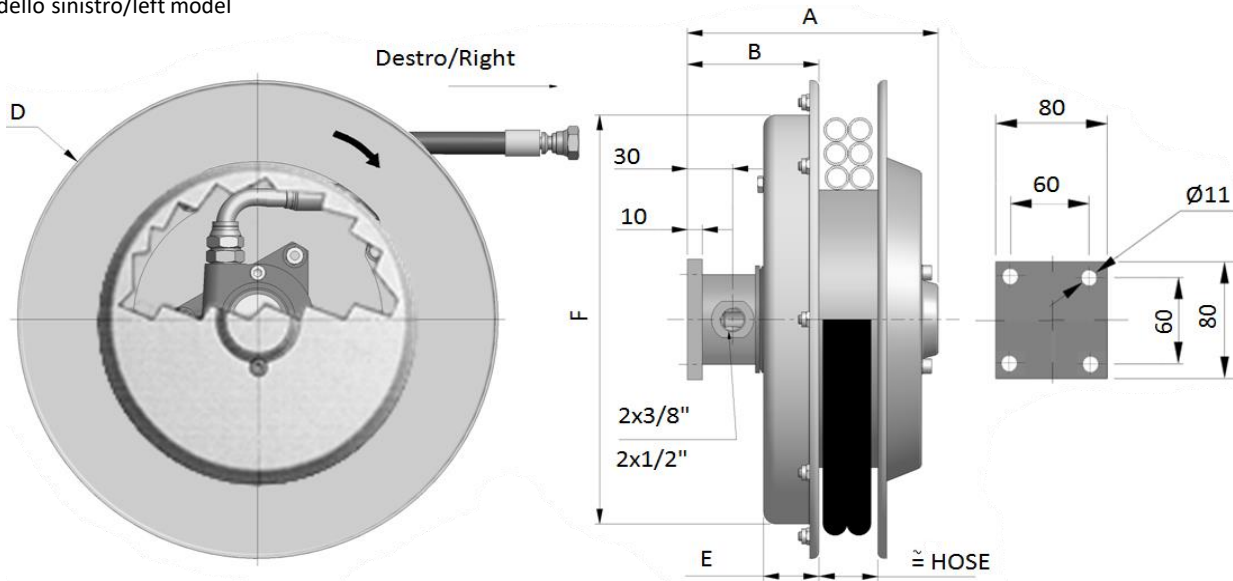
**AG/F**

Max flow rate: 40 l/min  
 Working pressure: standard 300 bar  
 optional 400 bar  
 Max hose speed: 30 m/min  
 Temperature range: -20/+80°C  
 Optional temperature range: -40/+80°C

AGD400=modello destro/right model  
 AGS400=modello sinistro/left model



**Corsa verticale verso il basso opzionale = CODICE/VD**  
**Vertical downwards is optional = CODE/VD**



Disegno tecnico disponibile a richiesta PDF STEP  
 Technical drawing available on request

Modello destro Right model	A	B	D	E	F	Senza tubo Without hose		Con tubo/With hose								
						kg	Ø	Lungh. totale	Lungh. Utile	R7	R8	B1	B2	T2		
								Total length m	Usable length m	XX=R7	XX=R8	XX=B1	XX=B2	XX=T2		
AGD520.06.XX/F	176	97	520	47	322	23	1/4"	14.5	14.0							
AGD520.08.XX/F							5/16"	12.5	12.0							
AGD520.10.XX/F							3/8"	11.2	10.7							
AGD520.12.XX/F	212						1/2"	9.0	8.5							
AGD570.06.XX/F	176	97	570	47	322	28	1/4"	17.5	17.0							
AGD570.08.XX/F							5/16"	15.5	15.0							
AGD570.10.XX/F					3/8"		13.5	13.0								
AGD570.12.XX/F					212					422		1/2"	10.7	10.2		
AGD600.06.XX/F	176	107	620	47	422	34	1/4"	21.0	20.5							
AGD600.08.XX/F							5/16"	17.0	16.5							
AGD600.10.XX/F							3/8"	16.0	15.5							
AGD600.12.XX/F							212						1/2"	12.5	12.0	
AGD650.06.XX/F	176	107	650	47	422	37	1/4"	22.5	22.0							
AGD650.08.XX/F							5/16"	19.5	19.0							
AGD650.10.XX/F							3/8"	17.5	17.0							
AGD650.12.XX/F							212						1/2"	14.5	14.0	
AGD700.06.XX/F	206	127	720	57	532	40	1/4"	27.0	26.5							
AGD700.08.XX/F	176	107		47			532	40	5/16"	22.0	21.5					
AGD700.10.XX/F									3/8"	20.0	19.5					
AGD700.12.XX/F									212						1/2"	16.0
AGD800.08.XX/F	186	107	820	57	532	47	5/16"	30.0	29.0							
AGD800.10.XX/F							3/8"	26.0	25.0							
AGD800.12.XX/F							227						1/2"	21.0	20.0	
AGD900.08.XX/F	227	107	920	67	532	60	5/16"	38.0	37.0							
AGD900.10.XX/F							3/8"	34.0	33.0							
AGD900.12.XX/F													1/2"	28.0	27.0	
AGD950.10.XX/F	227	107	950	67	687	70	3/8"	37.0	36.0							
AGD950.12.XX/F													1/2"	31.0	30.0	
AGD1000.10.XX/F	227	107	###	67	687	75	3/8"	40.0	39.0							
AGD1000.12.XX/F													1/2"	35.0	34.0	

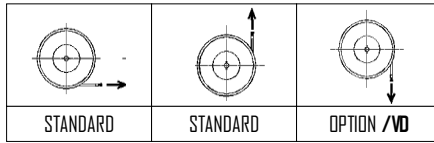


**AVVOLGITUBO A 2 VIE IDRAULICHE**  
**ENROULEUR HYDRAULIQUE À 2 TUYAUX**

**2 PORT HOSE REEL**  
**DOPPELSCHLAUCHROLLE**

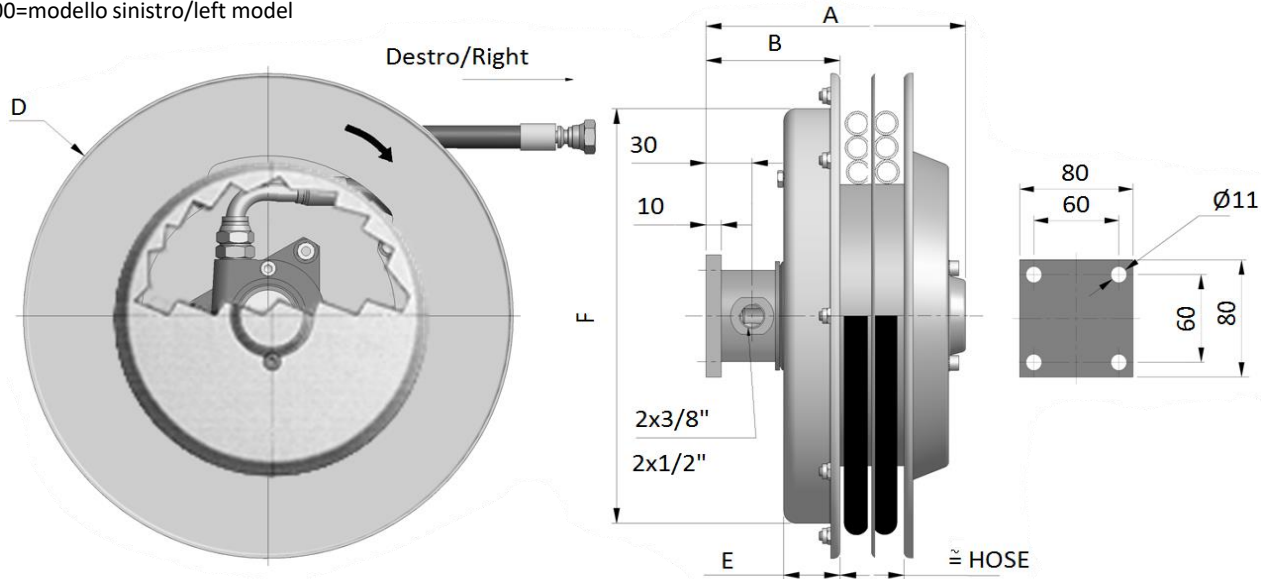
**A2/F**

Max flow rate: 40 l/min  
 Working pressure: standard 300 bar  
 optional 400 bar  
 Max hose speed: 30 m/min  
 Temperature range: -20/+80°C  
 Optional temperature range: -40/+80°C



A2D400=modello destro/right model  
 A2S400=modello sinistro/left model

**Corsa verticale verso il basso opzionale = CODICE/VD**  
**Vertical downwards is optional = CODE/VD**



Disegno tecnico disponibile a richiesta   
 Technical drawing available on request

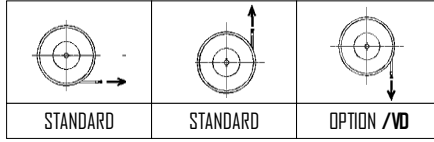
Modello destro Right model	A	B	D	E	F	Senza tubo Without hose		Con tubo - with B1 / T2 / B3 hose					Con tubo - with 4SP hose			
						kg	Ø	Lungh. totale	Lungh. Utile	B1	T2	B3	Lungh. totale	Lungh. utile	4SP	
								Total length	Usable length	XX=B1	XX=T2	XX=B3	Total length	Usable length	XX=4SP	
A2D296.06.XX/F	161	75	295	35	291	13		1/4"	2.3	2.0				-	-	
A2D296.08.XX/F								5/16"	1.4	1.1				-	-	
A2D296.10.XX/F								3/8"	1.5	1.2				-	-	
A2D296.12.XX/F								1/2"	1.5	1.2				-	-	
A2D321.06.XX/F	161	82	325	37	272	14		1/4"	3.3	3.0				-	-	
A2D321.08.XX/F								5/16"	2.3	2.0				-	-	
A2D321.10.XX/F								3/8"	2.4	2.1				-	-	
A2D321.12.XX/F								1/2"	1.5	1.2				-	-	
A2D341.06.XX/F	161	82	340	37	272	14		1/4"	3.3	3.0				-	-	
A2D341.08.XX/F								5/16"	3.3	3.0				-	-	
A2D341.10.XX/F								3/8"	2.4	2.1				-	-	
A2D341.12.XX/F								1/2"	2.5	2.2				-	-	
A2D370.06.XX/F	161	82	370	37	272	15		1/4"	4.3	4.0				-	-	
A2D370.08.XX/F								5/16"	4.4	4.1				-	-	
A2D370.10.XX/F								3/8"	3.5	3.2				-	-	
A2D370.12.XX/F								1/2"	3.6	3.3				-	-	
A2D400.06.XX/F	161	82	400	47	322	15		1/4"	5.5	5.2				-	-	
A2D400.08.XX/F								5/16"	5.7	5.4				-	-	
A2D400.10.XX/F								3/8"	4.6	4.3				-	-	
A2D400.12.XX/F								1/2"	4.5	4.2				-	-	
A2D420.06.XX/F	161	82	420	47	322	19		1/4"	6.7	6.2				-	-	
A2D420.08.XX/F								5/16"	5.7	5.2				-	-	
A2D420.10.XX/F								3/8"	4.6	4.3				-	-	
A2D420.12.XX/F								1/2"	4.7	4.2				-	-	
A2D470.06.XX/F	161	82	478	47	322	21		1/4"	9.5	9.0				-	-	
A2D470.08.XX/F								5/16"	8.4	7.9				-	-	
A2D470.10.XX/F								3/8"	7.3	6.8				-	-	
A2D470.12.XX/F								1/2"	6.3	5.8				3.6	3.3	

**AVVOLGITUBO A 2 VIE IDRAULICHE**  
**ENROULEUR HYDRAULIQUE À 2 TUYAUX**

**2 PORT HOSE REEL**  
**DOPPELSCHLAUCHROLLE**

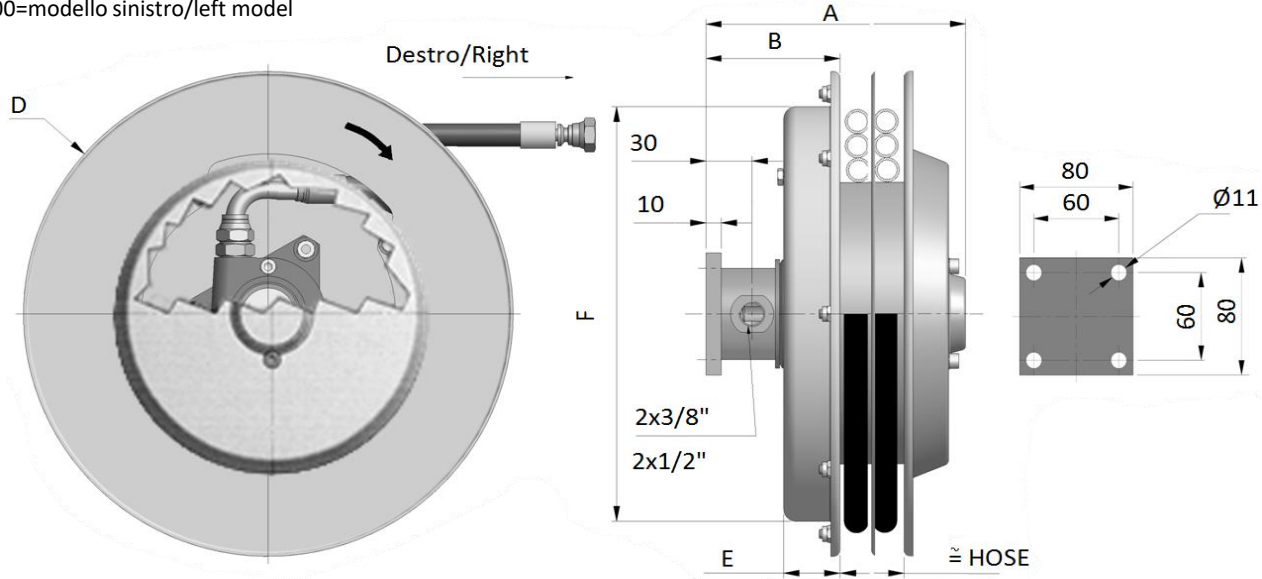
**A2/F**

Max flow rate: 40 l/min  
 Working pressure: standard 300 bar  
 optional 400 bar  
 Max hose speed: 30 m/min  
 Temperature range: -20/+80°C  
 Optional temperature range: -40/+80°C



A2D400=modello destro/right model  
 A2S400=modello sinistro/left model

**Corsa verticale verso il basso opzionale = CODICE/VD**  
**Vertical downwards is optional = CODE/VD**

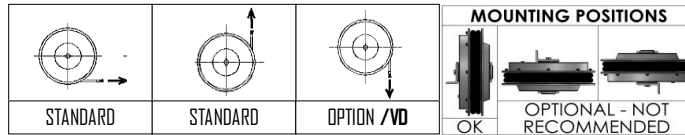


Disegno tecnico disponibile a richiesta   
 Technical drawing available on request

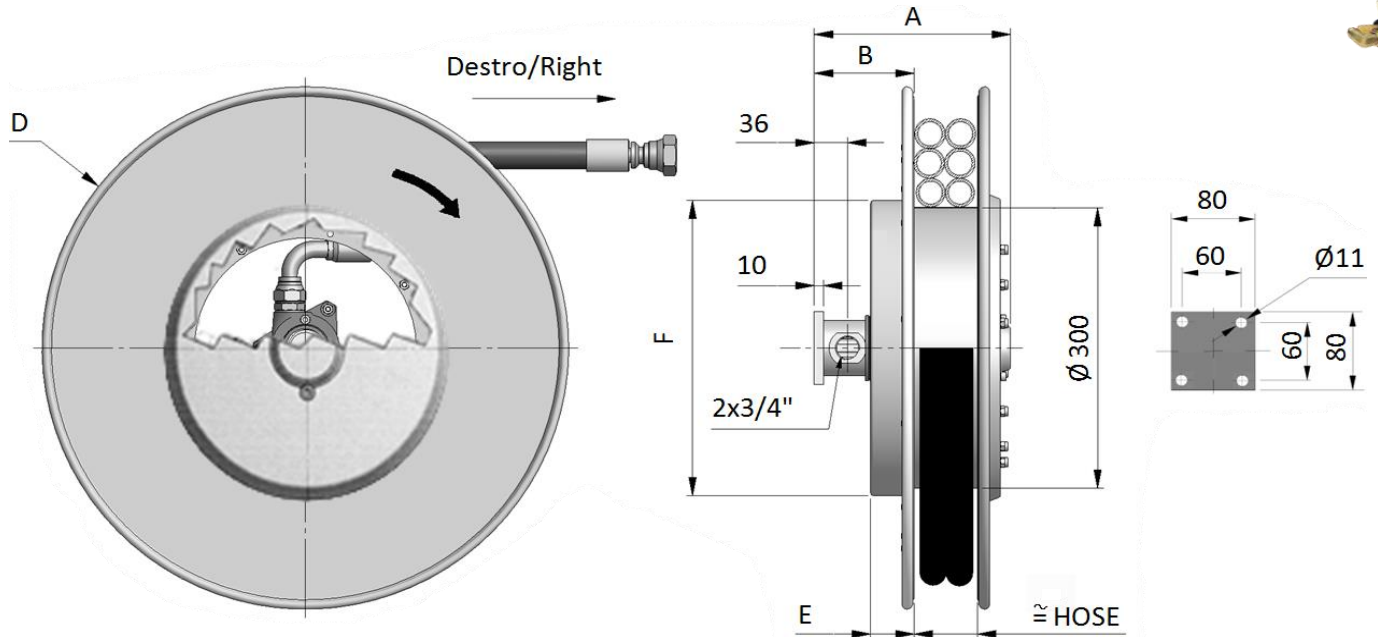
Modello destro Right model	A	B	D	E	F	Senza tubo Without hose	Ø	Con tubo - with B1 / T2 / B3 hose			Con tubo - with 4SP hose				
								Lungh.totale Total length	Lungh. Utile Usable length	B1 XX=B1	T2 XX=T2	B3 XX=B3	Lungh.totale Total length	Lungh.utile Usable length	4SP XX=4SP
								m	m				m	m	
A2D520.06.XX/F	171	92	520	47	322	23	1/4"	11.1	10.6				-	-	
A2D520.08.XX/F					5/16"		9.9	9.4			-	-			
A2D520.10.XX/F					3/8"		8.9	8.4			-	-			
A2D520.12.XX/F					1/2"		7.9	7.4			5.0	4.7			
A2D570.06.XX/F	171	92	570	47	422	28	1/4"	14.5	14.0				-	-	
A2D570.08.XX/F					5/16"		11.6	11.1			-	-			
A2D570.10.XX/F					3/8"		10.6	10.1			-	-			
A2D570.12.XX/F					1/2"		9.7	9.2			6.7	6.2			
A2D600.06.XX/F	171	92	620	47	422	34	1/4"	16.3	15.8				-	-	
A2D600.08.XX/F					5/16"		15.2	14.7			-	-			
A2D600.10.XX/F					3/8"		12.3	11.8			-	-			
A2D600.12.XX/F					1/2"		11.4	10.9			8.5	8.0			
A2D650.06.XX/F	181	102	650	57	422	37	1/4"	18.3	17.8				-	-	
A2D650.08.XX/F					5/16"		17.2	16.7			-	-			
A2D650.10.XX/F					3/8"		14.3	13.8			-	-			
A2D650.12.XX/F					1/2"		11.8	11.3			10.5	10.0			
A2D700.06.XX/F	181	102	720	57	532	40	1/4"	22.5	22.0				-	-	
A2D700.08.XX/F					5/16"		19.3	18.8			-	-			
A2D700.10.XX/F					3/8"		18.5	18.0			-	-			
A2D700.12.XX/F					1/2"		15.0	14.5			12.6	12.1			

Max flow rate: 80 l/min  
 Working pressure: standard 300 bar  
 optional 400 bar  
 Max hose speed: 30 m/min  
 Temperature range: -20/+80°C  
 Optional temperature range: -40/+80°C

AGD400=modello destro/right model  
 AGS400=modello sinistro/left model



Corsa verticale verso il basso opzionale = CODICE /VD  
 Vertical downwards is optional = CODE /VD



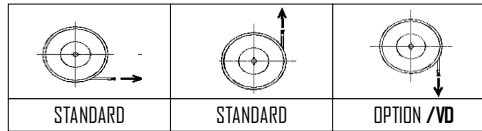
Disegno tecnico disponibile a richiesta  
 Technical drawing available on request



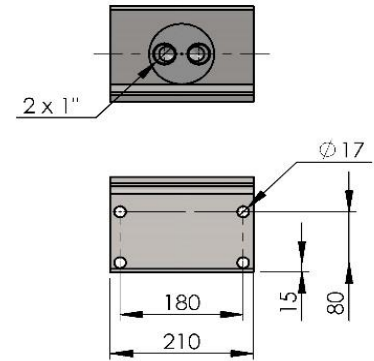
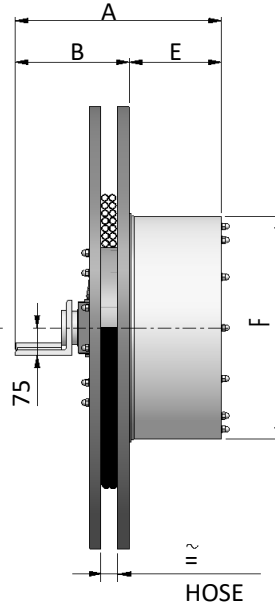
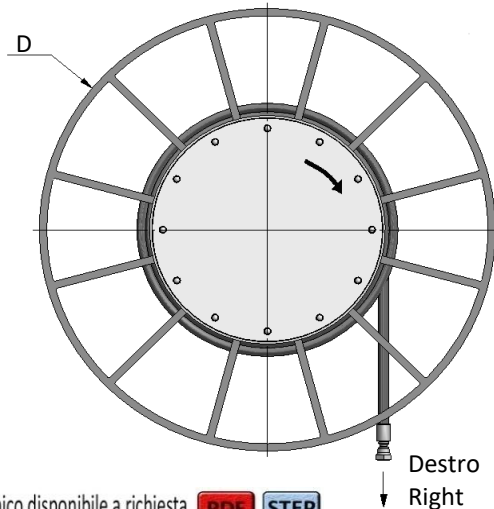
Modello destro Right model	A	B	D	E	F	Senza tubo Without hose		Ø	Con tubo - with B3 hose			Con tubo - with HDH hose		
									Lungh.totale	Lungh.utile	B3	Lungh.totale	Lungh.utile	HDH
									Total length	Usable length	XX=B3	Total length	Usable length	XX=HDH
									m	m		m	m	
AGD420.19.16.XX	212	108	420	47	322	21			5/8"	2.6	2.1	-	-	
AGD420.19.19.XX									3/4"	-	-	2.3	1.8	
AGD470.19.16.XX	212	108	478	47	322	24			5/8"	4.0	3.5	-	-	
AGD470.19.19.XX									3/4"	-	-	3.7	3.2	
AGD520.19.16.XX	212	108	520	47	422	27			5/8"	5.4	4.9	-	-	
AGD520.19.19.XX									3/4"	-	-	-	-	
AGD570.19.16.XX	212	108	570	47	422	32			5/8"	7.0	6.5	-	-	
AGD570.19.19.XX									3/4"	-	-	5.2	4.7	
AGD600.19.16.XX	222	128	620	57	422	36			5/8"	8.8	8.3	-	-	
AGD600.19.19.XX									3/4"	-	-	7.0	6.5	
AGD650.19.16.XX	232	138	650	67	422	41			5/8"	10.0	9.5	-	-	
AGD650.19.19.XX									3/4"	-	-	8.9	8.4	
AGD700.19.16.XX	232	138	720	67	532	47			5/8"	13.0	12.5	-	-	
AGD700.19.19.XX									3/4"	-	-	11.0	10.5	
AGD800.19.16.XX	232	138	820	67	532	60			5/8"	17.5	16.5	-	-	
AGD800.19.19.XX									3/4"	-	-	15.8	14.8	
AGD900.19.16.XX	232	138	920	67	532	70			5/8"	23.0	22.0	-	-	
AGD900.19.19.XX									3/4"	-	-	18.5	17.5	
AGD1000.19.16.XX	232	138	1000	67	532	75			5/8"	28.5	27.5	-	-	
AGD1000.19.19.XX									3/4"	-	-	24.0	23.0	

Max flow rate: 135 l/min  
 Working pressure: standard 300 bar  
 optional 400 bar  
 Max hose speed: 30 m/min  
 Temperature range: -20/+80°C  
 Optional temperature range: -40/+80°C

AGD800=modello destro/right model  
 AGS800=modello sinistro/left model



**Corsa verticale verso il basso opzionale = CODICE /VD**  
**Vertical downwards is optional = CODE /VD**



Disegno tecnico disponibile a richiesta  
 Technical drawing available on request



Modello destro Right model	A	B	D	E	F	Senza tubo Without hose	Ø	Tubo/Hose		Con tubo - with hose	
								Lungh.totale Total length	Lungh.utile Usable length	T2 XX=T2	B3 XX=B3
	mm					kg		m	m		
AGD800.25.10.XX	545	305	810	240	476	110	3/8"	21.0	19.0		
AGD800.25.12.XX							1/2"	19.0	17.0		
AGD800.25.16.XX							5/8"	17.0	15.0		
AGD800.25.19.XX							3/4"	16.0	14.0		
AGD900.25.10.XX	545	305	910	240	476	140	3/8"	27.0	25.0		
AGD900.25.12.XX							1/2"	25.0	23.0		
AGD900.25.16.XX							5/8"	23.0	21.0		
AGD900.25.19.XX							3/4"	18.0	16.0		
AGD1000.25.10.XX	545	305	1000	240	476	210	3/8"	31.0	29.0		
AGD1000.25.12.XX							1/2"	29.0	27.0		
AGD1000.25.16.XX							5/8"	25.0	23.0		
AGD1000.25.19.XX							3/4"	21.0	19.0		
AGD1100.25.10.XX	545	305	1100	240	605	240	3/8"	36.0	33.0		
AGD1100.25.12.XX							1/2"	36.0	33.0		
AGD1100.25.16.XX							5/8"	31.0	28.0		
AGD1100.25.19.XX							3/4"	26.0	23.0		
AGD1200.25.10.XX	545	305	1200	240	605	270	3/8"	43.0	40.0		
AGD1200.25.12.XX							1/2"	43.0	40.0		
AGD1200.25.16.XX							5/8"	38.0	35.0		
AGD1200.25.19.XX							3/4"	31.0	28.0		
AGD1300.25.10.XX	620	305	1300	315	605	280	3/8"	53.0	50.0		
AGD1300.25.12.XX							1/2"	53.0	50.0		
AGD1300.25.16.XX							5/8"	46.0	43.0		
AGD1300.25.19.XX							3/4"	36.0	33.0		
AGD1400.25.16.XX	620	305	1400	315	605	300	5/8"	51.0	48.0		
AGD1400.25.19.XX							3/4"	41.0	38.0		
AGD1500.25.12.XX	741	305	1500	370	605	310	1/2"	63.0	60.0		
AGD1500.25.16.XX	Su richiesta / On request						5/8"	-	-		
AGD1500.25.19.XX	Su richiesta / On request						3/4"	-	-		
AGD1550.25.12.XX	741	305	1550	436	605	360	1/2"	75.0	72.0		
AGD1600.25.19.XX/O	Su richiesta / On request						3/4"	-	-		



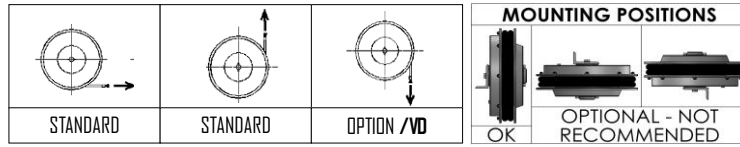
**AVVOLGITUBO A 2 VIE IDRAULICHE "SERIE 19"**  
**ENROULEUR HYDRAULIQUE À 2 TUYAUX "SÉRIE 19"**

**"SERIES 19" 2 PORT HOSE REEL**  
**DOPPELSCHLAUCHROLLE "SERIE 19"**

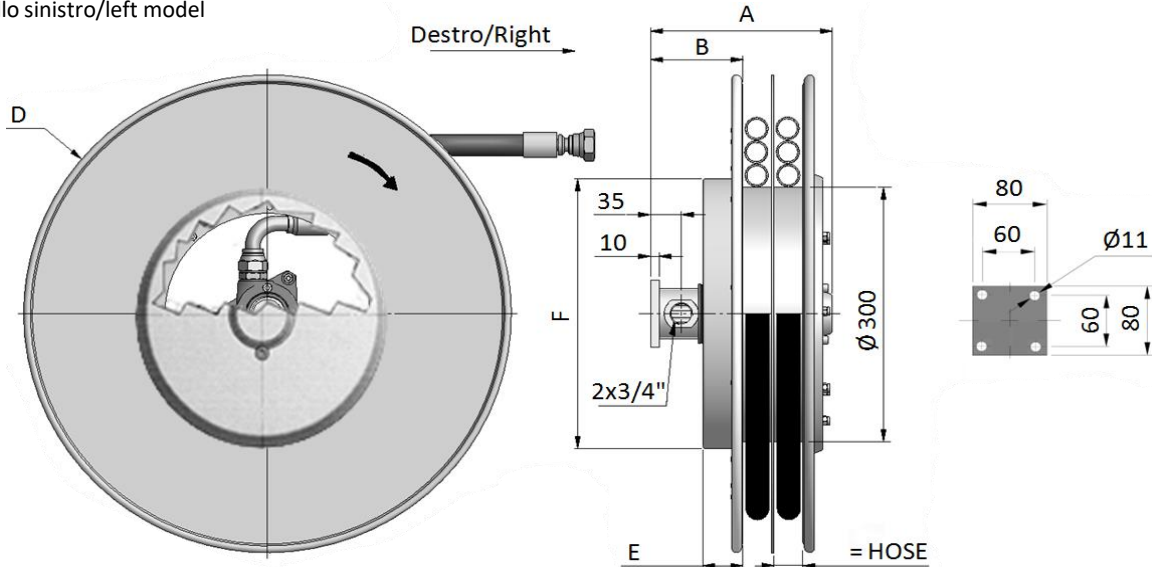
A2.19

Max flow rate: 80 l/min  
 Working pressure: standard 300 bar  
 optional 400 bar  
 Max hose speed: 30 m/min  
 Temperature range: -20/+80°C  
 Optional temperature range: -40/+80°C

A2D400=modello destro/right model  
 A2S400=modello sinistro/left model



**Corsa verticale verso il basso opzionale = CODICE /VD**  
**Vertical downwards is optional = CODE /VD**



Disegno tecnico disponibile a richiesta  
 Technical drawing available on request



Modello destro Right model	A	B	D	E	F	Senza tubo Without hose	Ø	Con tubo - with 1SN / T2 hose				Con tubo - with 4SP hose		
								Lungh.totale Total length	Lungh. Utile Usable length	1SN XX=1SN	T2 XX=T2	Lungh.totale Total length	Lungh.utile Usable length	4SP XX=4SP
						kg			m	m				
									m	m				
A2D420.19.16.XX	212	108	420	47	322	22	5/8"	2.6	2.1			2.6	2.1	
A2D420.19.19.XX								2.6	2.1			1.8	1.3	
A2D470.19.16.XX	212	108	478	47	322	25	5/8"	4.0	3.5			4.0	3.5	
A2D470.19.19.XX								2.7	2.2			3.0	2.5	
A2D520.19.16.XX	212	108	520	57	422	28	5/8"	5.5	5.0			4.5	4.0	
A2D520.19.19.XX								4.2	3.7			4.2	3.7	
A2D570.19.16.XX	212	108	570	57	422	34	5/8"	7.2	6.7			6.0	5.5	
A2D570.19.19.XX								5.9	5.4			5.9	5.4	
A2D600.19.16.XX	223	119	620	57	422	38	5/8"	8.5	8.0			7.5	7.0	
A2D600.19.19.XX								7.0	6.5			7.3	6.8	
A2D650.19.16.XX	223	119	650	67	532	43	5/8"	9.5	9.0			9.0	8.5	
A2D650.19.19.XX								7.6	7.1			7.3	6.8	
A2D700.19.16.XX	237	133	720	67	532	50	5/8"	13.0	12.5			11.5	11.0	
A2D700.19.19.XX								11.0	10.5			10.0	9.5	
A2D800.19.16.XX	237	133	820	67	532	60	5/8"	17.0	16.0			16.0	15.0	
A2D800.19.19.XX								14.5	13.5			14.0	13.0	

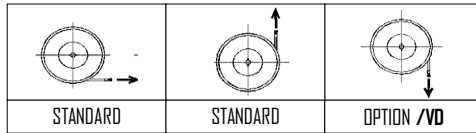
**AWDLGITUBO A 2 VIE IDRAULICHE "SERIE 25"**  
**ENROULEUR HYDRAULIQUE À 2 TUYAUX "SÉRIE 25"**

**"SERIES 25" 2 PORT HOSE REEL**  
**DOPPELSCHLAUCHROLLE "SERIE 25"**

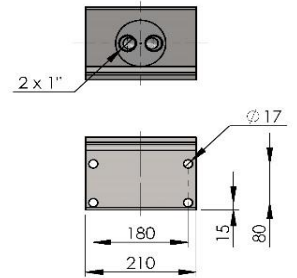
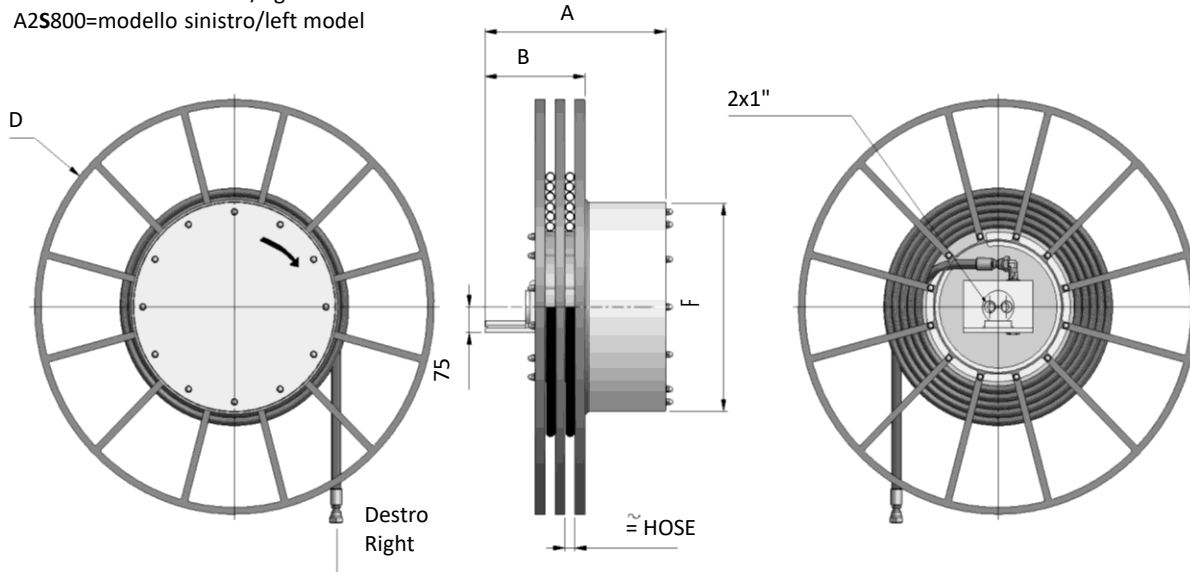
**A2.25**

Max flow rate: 135 l/min  
 Working pressure: standard 300 bar  
 optional 400 bar  
 Max hose speed: 30 m/min  
 Temperature range: -20/+80°C  
 Optional temperature range: -40/+80°C

A2D800=modello destro/right model  
 A2S800=modello sinistro/left model



**Corsa verticale verso il basso opzionale = CODICE /VD**  
**Vertical downwards is optional = CODE /VD**



Disegno tecnico disponibile a richiesta   
 Technical drawing available on request

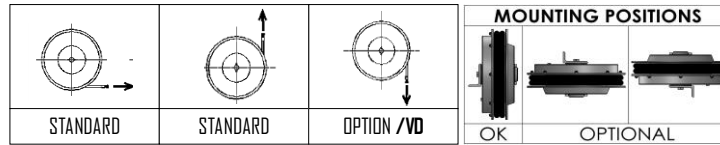
Modello destro Right model	A	B	D	F	Senza tubo Without hose	CON TUBO / WITH HOSE									
						Ø	Lungh. totale	Lungh. Utile	2SC	Lungh. totale	Lungh. utile	4SP	Lungh. totale	Lungh. utile	4SH
							Total length	Usable length	XXX=2SC	Total length	Usable length	XXX=4SP	Total length	Usable length	XXX=4SH
mm					kg	m	m		m	m		m	m		
A2D600.25.19.XX	545	305	620	605		3/4"	4.0	3.0		4.0	3.0		-	-	
A2D600.25.25.XX						1"	4.0	3.0		-	-		4.0	3.0	
A2D700.25.16.XX	545	305	720	605		5/8"	9.5	8.5		9.5	8.5		-	-	
A2D700.25.19.XX						3/4"	8.0	7.0		-	-		-	-	
A2D700.25.25.XX						1"	6.4	5.4		-	-		6.4	5.4	
A2D800.25.12.XX	545	305	810	605		1/2"	16.0	15.0		16.0	15.0		-	-	
A2D800.25.16.XX						5/8"	14.0	13.0		14.0	13.0		-	-	
A2D800.25.19.XX						3/4"	12.0	11.0		10.0	9.0		-	-	
A2D800.25.25.XX						1"	10.0	9.0		-	-		8.6	7.6	
A2D900.25.12.XX	545	305	910	605		1/2"	21.0	20.0		21.0	20.0		-	-	
A2D900.25.16.XX						5/8"	19.0	18.0		17.0	16.0		-	-	
A2D900.25.19.XX						3/4"	15.0	14.0		15.0	14.0		-	-	
A2D900.25.25.XX						1"	13.5	12.5		-	-		11.2	10.2	
A2D1000.25.12.XX	545	305	1000	605		1/2"	25.0	24.0		25.0	24.0		-	-	
A2D1000.25.16.XX						5/8"	23.0	22.0		23.0	22.0		-	-	
A2D1000.25.19.XX						3/4"	20.0	19.0		19.0	18.0		-	-	
A2D1000.25.25.XX						1"	15.0	14.0		-	-		15.0	14.0	
A2D1200.25.12.XX	545	305	1200	605		1/2"	38.0	37.0		38.0	37.0		-	-	
A2D1200.25.16.XX						5/8"	30.0	29.0		30.0	29.0		-	-	
A2D1200.25.19.XX						3/4"	30.0	29.0		26.0	25.0		-	-	
A2D1200.25.25.XX						1"	22.0	21.0		-	-		22.0	21.0	
A2D1300.25.19.XX															
A2D1400.25.12.XX															
A2D1400.25.16.XX															
A2D1400.25.19.XX															
A2D1400.25.25.XX															
A2D1600.25.12.XX															
A2D1600.25.16.XX															
A2D1600.25.19.XX															
A2D1600.25.25.XX															

Solo su richiesta / Only on request

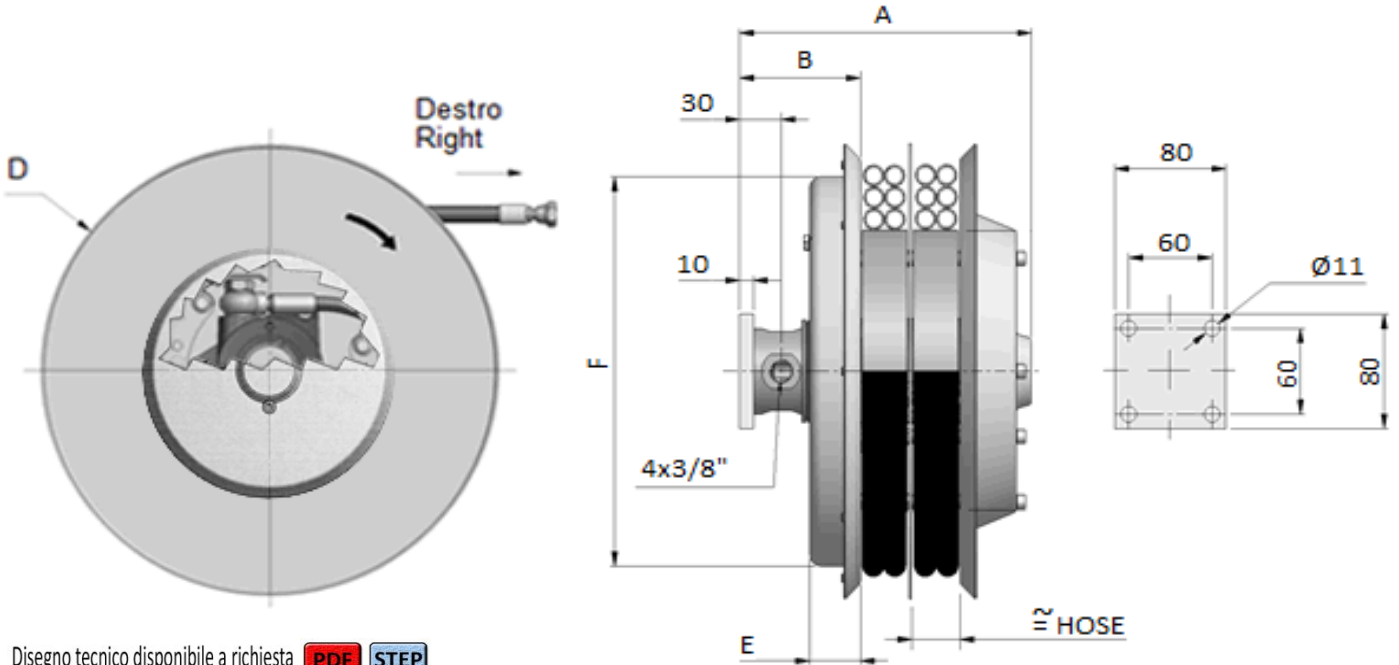
**AVVOLGITUBO GEMELLATO A 2 VIE IDRAULICHE**  
**ENROULEUR HYDRAULIQUE À 2 TUYAUX**
**TWIN HOSE REEL**  
**DOPPELSCHLAUCHROLLE**
**A4 Compact**

Max flow rate: 25 l/min  
 Working pressure: standard 300 bar  
 optional 400 bar  
 Max hose speed: 30 m/min  
 Temperature range: -20/+80°C  
 Optional temperature range: -40/+80°C

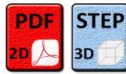
A4D295=modello destro/right model  
 A4S295=modello sinistro/left model



Corsa verticale verso il basso opzionale = CODICE /VD  
 Vertical downwards is optional = CODE /VD



Disegno tecnico disponibile a richiesta  
 Technical drawing available on request



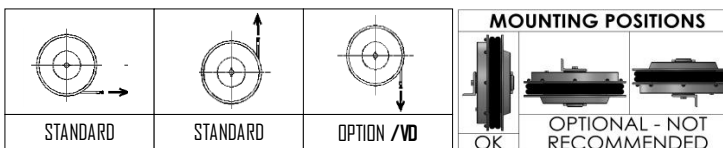
Modello destro Right model	A	B	D	E	F	Senza tubo Without hose		Con tubo / With hose R7-R8-B1					
						kg		Ø	Lungh. totale Total length	Lungh. utile Usable length	R7 XX=R7	R8 XX=R8	B1 XX=B1
mm						kg			1/4"	m	m		
A4D230.06.XX	210	90	230	30	226	11		1/4"	2.2	1.9			
A4D270.06.XX	210	90	270	30	272	14		1/4"	4.0	3.7			
A4D295.06.XX	210	90	295	37	291	17		1/4"	4.7	4.4			
A4D320.06.XX	210	90	325	37	272	17		1/4"	5.5	5.2			
A4D340.06.XX	210	90	340	37	272	18		1/4"	6.0	5.7			

**AVVOLGITUBO GEMELLATO A 4 VIE IDRAULICHE**  
**ENROULEUR HYDRAULIQUE À 4 TUYAUX**

**4 PORT HOSE REEL**  
**4-FACH-SCHLAUCHROLLE**

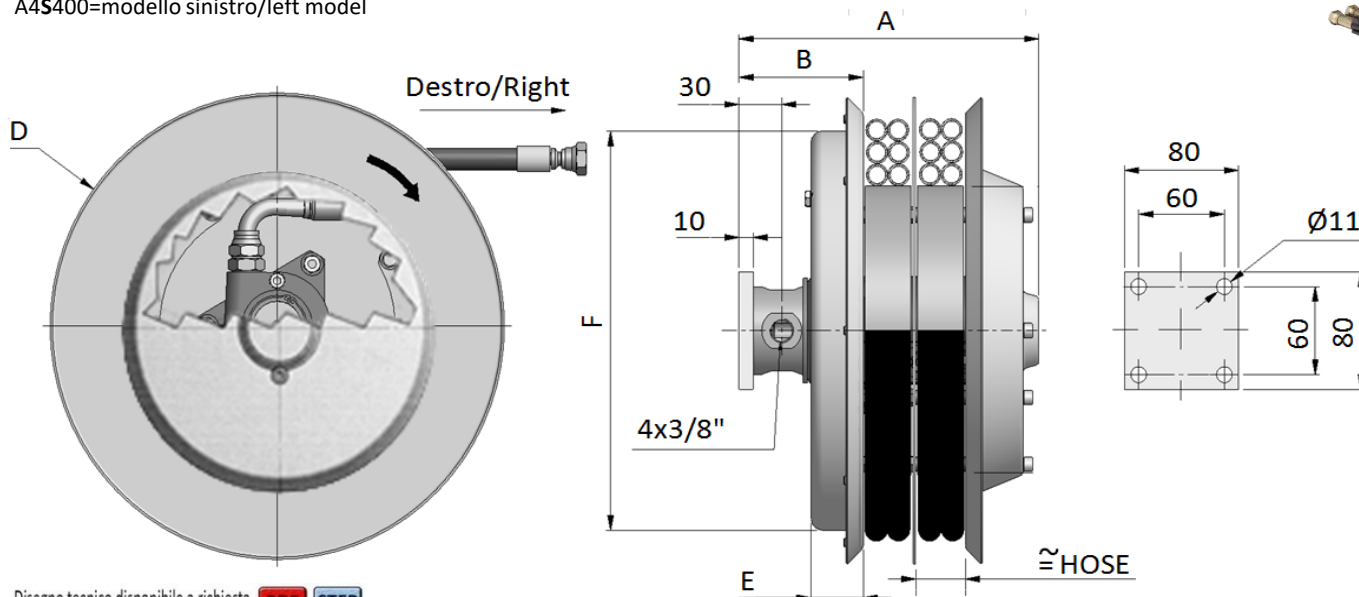
**A4**

Max flow rate: 30 l/min  
 Working pressure: standard 300 bar  
 optional 400 bar  
 Max hose speed: 30 m/min  
 Temperature range: -20/+80°C  
 Optional temperature: -40/+80°C



**Corsa verticale verso il basso opzionale = CODICE/VD**  
**Vertical downwards is optional = CODE/VD**

A4D400=modello destro/right model  
 A4S400=modello sinistro/left model



Disegno tecnico disponibile a richiesta   
 Technical drawing available on request

Modello destro Right model	A	B	D	E	F	Senza tubo Without hose	kg	Ø	Con tubo - with hose						
									Lungh.totale Total length	Lungh.utile Usable length	R7 XX=R7	R8 XX=R8	B1 XX=B1	B2 XX=B2	T2 XX=T2
									m	m					
A4D296.06.XX	212	90	295	37	291	16		1/4"	3.0	2.7					
A4D296.08.XX								5/16"	2.3	2.0					
A4D296.10.XX								3/8"	2.3	2.0					
A4D321.06.XX	212	90	325	37	272	17		1/4"	4.0	3.7					
A4D321.08.XX								5/16"	3.2	2.9					
A4D321.10.XX								3/8"	3.3	3.0					
A4D341.06.XX	212	90	340	37	272	18		1/4"	5.0	4.7					
A4D341.08.XX								5/16"	4.2	3.9					
A4D341.10.XX								3/8"	4.0	3.7					
A4D370.06.XX	212	90	370	37	272	18		1/4"	6.0	5.7					
A4D370.08.XX								5/16"	5.3	5.0					
A4D370.10.XX								3/8"	4.5	4.2					
A4D400.06.XX	212	90	400	47	272	19		1/4"	7.3	7.0					
A4D400.08.XX								5/16"	6.5	6.2					
A4D400.10.XX								3/8"	5.6	5.3					
A4D420.06.XX	222	100	420	47	322	22		1/4"	8.6	8.1					
A4D420.08.XX								5/16"	8.0	7.5					
A4D420.10.XX								3/8"	6.7	6.2					
A4D470.06.XX	222	100	478	47	322	24		1/4"	11.5	11.0					
A4D470.08.XX								5/16"	10.0	9.5					
A4D470.10.XX								3/8"	9.5	9.0					
A4D520.06.XX	222	100	520	47	422	28		1/4"	14.5	14.0					
A4D520.08.XX								5/16"	12.5	12.0					
A4D520.10.XX								3/8"	11.2	10.7					

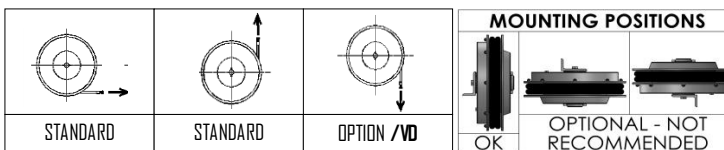


**AVVOLGITUBO GEMELLATO A 4 VIE IDRAULICHE**  
**ENROULEUR HYDRAULIQUE À 4 TUYAUX**

**4 PORT HOSE REEL**  
**4-FACH-SCHLAUCHROLLE**

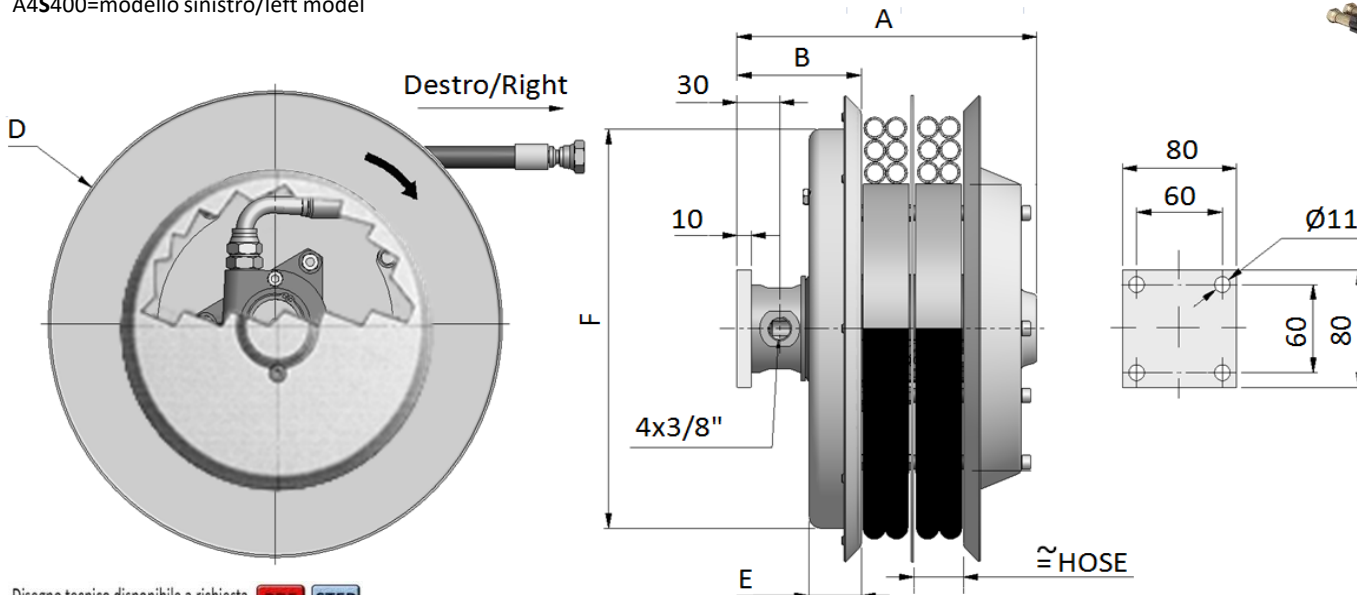
**A4**

Max flow rate: 30 l/min  
 Working pressure: standard 300 bar  
 optional 400 bar  
 Max hose speed: 30 m/min  
 Temperature range: -20/+80°C  
 Optional temperature: -40/+80°C



**Corsa verticale verso il basso opzionale = CODICE/VD**  
**Vertical downwards is optional = CODE/VD**

A4D400=modello destro/right model  
 A4S400=modello sinistro/left model



Disegno tecnico disponibile a richiesta   
 Technical drawing available on request

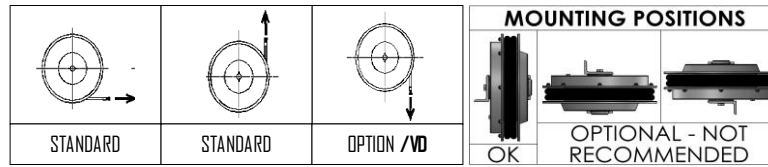
Modello destro Right model	A	B	D	E	F	Senza tubo Without hose	kg	Ø	Con tubo - with hose						
									Lungh.totale Total length	Lungh.utile Usable length	R7 XX=R7	R8 XX=R8	B1 XX=B1	B2 XX=B2	T2 XX=T2
									m	m					
A4D570.06.XX								1/4"	17.5	17.0					
A4D570.08.XX	222	100	570	47	422	32		5/16"	15.5	15.0					
A4D570.10.XX								3/8"	13.5	13.0					
A4D600.06.XX								1/4"	21.0	20.5					
A4D600.08.XX	222	100	620	47	422	38		5/16"	17.0	16.5					
A4D600.10.XX								3/8"	16.0	15.5					
A4D650.06.XX								1/4"	22.5	22.0					
A4D650.08.XX	222	100	650	47	422	44		5/16"	19.5	19.0					
A4D650.10.XX								3/8"	17.5	17.0					
A4D700.06.XX								1/4"	27.0	26.5					
A4D700.08.XX	222	100	720	47	532	50		5/16"	22.0	21.5					
A4D700.10.XX								3/8"	20.0	19.5					
A4D800.08.XX	252	129	820	67	532	70		5/16"	30.0	29.0					
A4D800.10.XX								3/8"	26.0	25.0					
A4D850.08.XX	252	129	850	67	532	80		5/16"	33.5	32.5					
A4D850.10.XX								3/8"	31.0	30.0					
A4D900.08.XX	252	129	920	67	532	90		5/16"	38.0	37.0					
A4D900.10.XX								3/8"	34.0	33.0					

**AVVOLGITUBO A 4 VIE IDRAULICHE**  
**ENROULEUR HYDRAULIQUE À 4 TUYAUX**
**4 PORT HOSE REEL**  
**4-FACH-SCHLAUCHROLLE**

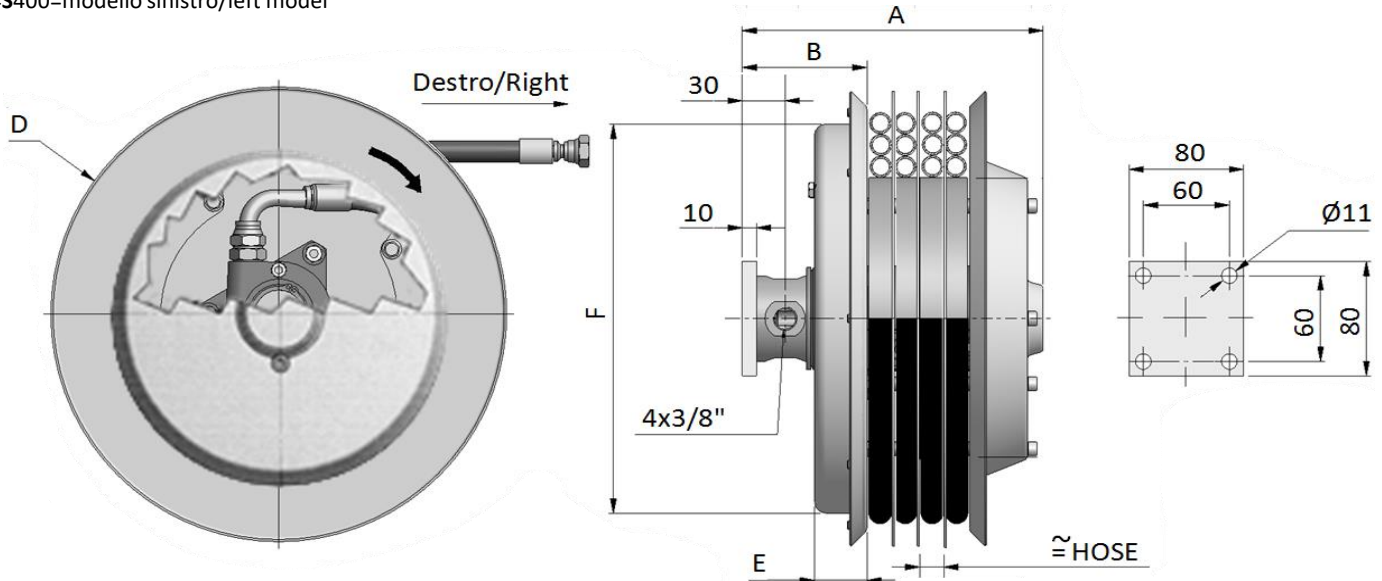
S4

Max flow rate: 40 l/min  
 Working pressure: standard 300 bar  
 optional 400 bar  
 Max hose speed: 30 m/min  
 Temperature range: -20/+80°C  
 Optional temperature range: -40/+80°C

S4D400=modello destro/right model  
 S4S400=modello sinistro/left model



Corsa verticale verso il basso opzionale = CODICE/VD  
 Vertical downwards is optional = CODE/VD



Disegno tecnico disponibile a richiesta  
 Technical drawing available on request



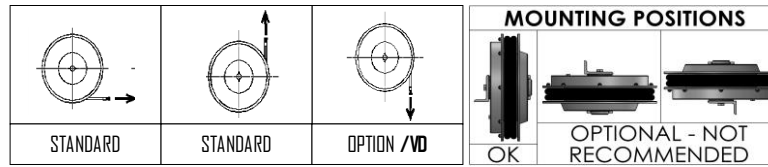
Modello destro Right model	A	B	D	E	F	Senza tubo Without hose		Ø	Con tubo - with B1 / T2 / B3 hose					Con tubo - with 4SP hose		
						kg	Lungh.totale Total length		Lungh. Utile Usable length	B1	T2	B3	Lungh.totale Total length	Lungh.utile Usable length	4SP	
										XX=B1	XX=T2	XX=B3				XX=4SP
mm						kg		m		m		m		m		
S4D296.06.XX	212	90	295	35	291	17		1/4"	2.3	2.0				-	-	
S4D296.08.XX								5/16"	1.4	1.1				-	-	
S4D296.10.XX								3/8"	1.5	1.2				-	-	
S4D296.12.XX	252	129						1/2"	1.5	1.2				-	-	
S4D321.06.XX	212	90	325	37	272	18		1/4"	3.3	3.0				-	-	
S4D321.08.XX								5/16"	2.3	2.0				-	-	
S4D321.10.XX								3/8"	2.4	2.1				-	-	
S4D321.12.XX	252	129						1/2"	1.5	1.2				-	-	
S4D341.06.XX	212	90	340	37	272	19		1/4"	3.3	3.0				-	-	
S4D341.08.XX								5/16"	3.3	3.0				-	-	
S4D341.10.XX								3/8"	2.4	2.1				-	-	
S4D341.12.XX	252	129						1/2"	2.5	2.2				-	-	
S4D370.06.XX	212	90	370	37	272	19		1/4"	4.3	4.0				-	-	
S4D370.08.XX								5/16"	4.4	4.1				-	-	
S4D370.10.XX								3/8"	3.5	3.2				-	-	
S4D370.12.XX	252	129						1/2"	3.6	3.3				-	-	
S4D400.06.XX	212	90	400	47	322	20		1/4"	5.5	5.2				-	-	
S4D400.08.XX								5/16"	5.7	5.4				-	-	
S4D400.10.XX								3/8"	4.6	4.3				-	-	
S4D400.12.XX	252	129						1/2"	4.7	4.4				-	-	
S4D420.06.XX	222	100	420	47	322	23		1/4"	6.7	6.2				-	-	
S4D420.08.XX								5/16"	6.8	6.3				-	-	
S4D420.10.XX								3/8"	5.9	5.4				-	-	
S4D420.12.XX	252	129						1/2"	4.9	4.4				-	-	
S4D470.06.XX	222	100	478	47	322	25		1/4"	9.5	9.0				-	-	
S4D470.08.XX								5/16"	8.4	7.9				-	-	
S4D470.10.XX								3/8"	7.3	6.8				-	-	
S4D470.12.XX	252	129						1/2"	6.3	5.8			3.6	3.3		

**AVVOLGITUBO A 4 VIE IDRAULICHE**  
**ENROULEUR HYDRAULIQUE À 4 TUYAUX**
**4 PORT HOSE REEL**  
**4-FACH-SCHLAUCHROLLE**

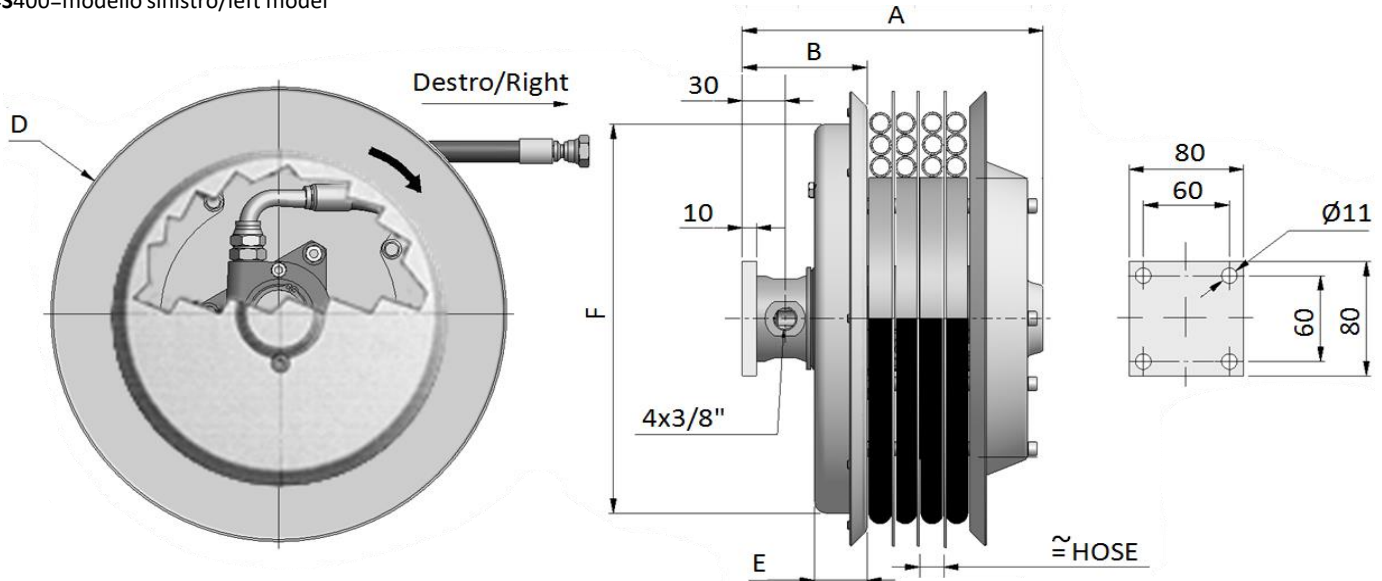
S4

Max flow rate: 40 l/min  
 Working pressure: standard 300 bar  
 optional 400 bar  
 Max hose speed: 30 m/min  
 Temperature range: -20/+80°C  
 Optional temperature range: -40/+80°C

S4D400=modello destro/right model  
 S4S400=modello sinistro/left model



Corsa verticale verso il basso opzionale = CODICE/VD  
 Vertical downwards is optional = CODE/VD



Disegno tecnico disponibile a richiesta  
 Technical drawing available on request

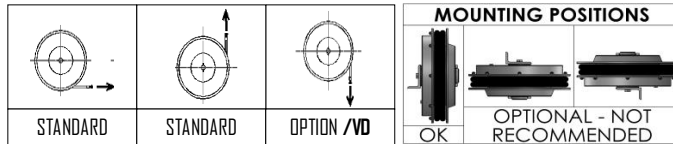


Modello destro Right model	A	B	D	E	F	Senza tubo Without hose		Con tubo - with B1 / T2 / B3 hose					Con tubo - with 4SP hose			
						kg	Ø	Lungh.totale	Lungh. Utile	B1	T2	B3	Lungh.totale	Lungh.utile	4SP	
								Total length	Usable length	XX=B1	XX=T2	XX=B3	Total length	Usable length	XX=4SP	
S4D520.06.XX	222	100	520	47	422	29		1/4"	11.1	10.6				-	-	
S4D520.08.XX								5/16"	9.9	9.4				-	-	
S4D520.10.XX								3/8"	8.9	8.4				-	-	
S4D520.12.XX	252	129						1/2"	7.9	7.4			5.0	4.7		
S4D570.06.XX	222	100	570	47	422	33		1/4"	14.5	14.0				-	-	
S4D570.08.XX								5/16"	11.6	11.1				-	-	
S4D570.10.XX								3/8"	10.6	10.1				-	-	
S4D570.12.XX	252	129						1/2"	9.7	9.2			6.7	6.2		
S4D600.06.XX	222	100	620	47	422	39		1/4"	16.3	15.8				-	-	
S4D600.08.XX								5/16"	15.2	14.7				-	-	
S4D600.10.XX								3/8"	12.3	11.8				-	-	
S4D600.12.XX	252	129						1/2"	11.4	10.9			8.5	8.0		
S4D650.06.XX	222	100	650	57	422	46		1/4"	18.3	17.8				-	-	
S4D650.08.XX								5/16"	17.2	16.7				-	-	
S4D650.10.XX								3/8"	14.3	13.8				-	-	
S4D650.12.XX	252	129						1/2"	11.8	11.3			10.5	10.0		
S4D700.06.XX	222	100	720	57	532	53		1/4"	22.5	22.0				-	-	
S4D700.08.XX								5/16"	19.3	18.8				-	-	
S4D700.10.XX								3/8"	18.5	18.0				-	-	
S4D700.12.XX	252	129						1/2"	15.0	14.5			12.6	12.1		

# AVVOLGITUBO GEMELLATO A 4 VIE IDRAULIC / 4 PORT HOSE REEL ENROULEUR HYDRAULIQUE À 4 TUYAUX 4-FACH-SCHLAUCHROLLE

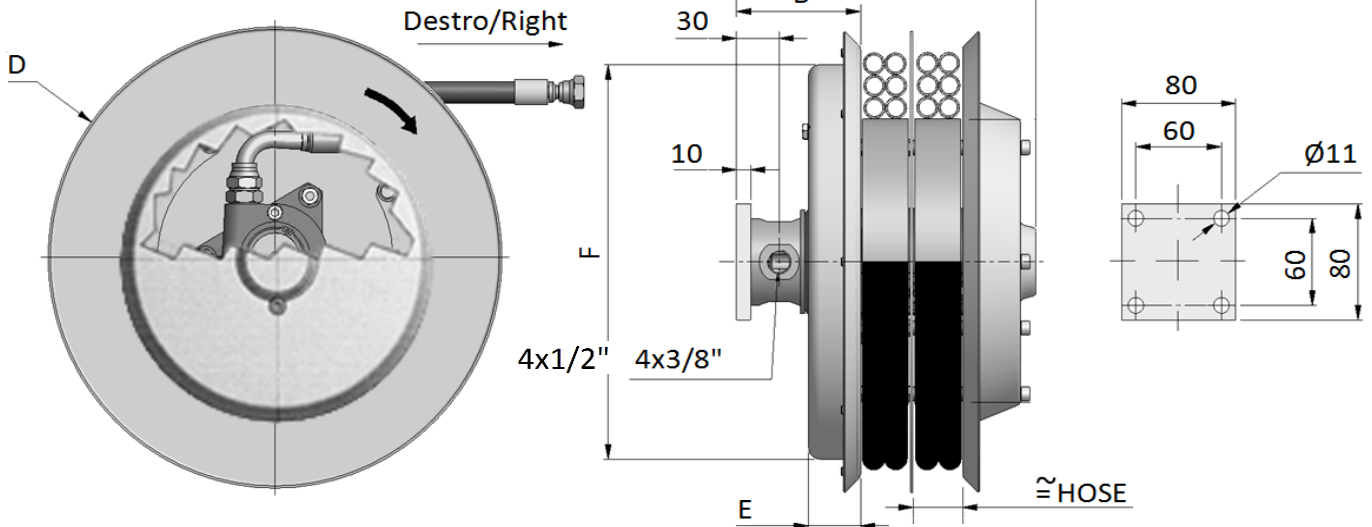
A4.12



Max flow rate: 40 l/min  
Working pressure: standard 300 bar  
optional 400 bar  
Max hose speed: 30 m/min  
Temperature range: -20/+80°C  
Optional temperature range: -40/+80°C



A4D400=modello destro/right model  
A4S400=modello sinistro/left model

Corsa verticale verso il basso opzionale = CODICE/VD  
Vertical downwards is optional = CODE/VD



Disegno tecnico disponibile a richiesta    
Technical drawing available on request

Modello destro Right model	A	B	D	E	F	Senza tubo Without hose		Ø	Con tubo - with hose						
						kg	Lungh. totale Total length		Lungh. utile Usable length	R8	B1	T2	B2		
										XX=R8	XX=B1	XX=T2	XX=B2		
mm								m							
A4D296.12.XX	252	129	295	37	291	21		1/2"	1.5	1.2					
A4D321.12.XX	252	129	325	37	272	23		1/2"	2.5	2.2					
A4D341.12.XX	252	129	340	37	272	25		1/2"	2.5	2.2					
A4D370.12.XX	252	129	370	37	272	30		1/2"	3.5	3.2					
A4D400.12.XX	252	129	400	47	272	33		1/2"	4.5	4.2					
A4D420.12.XX	252	129	420	47	322	35		1/2"	4.7	4.2					
A4D470.12.XX	252	129	478	47	322	38		1/2"	7.5	7.0					
A4D520.12.XX	252	129	520	47	422	45		1/2"	9.0	8.5					
A4D570.12.XX	252	129	570	47	422	50		1/2"	10.7	10.2					
A4D600.12.XX	252	129	620	47	422	63		1/2"	12.5	12.0					
A4D650.12.XX	252	129	650	47	422	75		1/2"	14.5	14.0					
A4D700.12.XX	252	129	720	47	532	-		1/2"	16.0	15.5					
A4D800.12.XX	252	129	820	57	532	87		1/2"	21.0	20.0					



"M4" AVVOLGITUBO A 4 VIE CON DOPPIA MOLLA ESTERNA

M4 4 PORT HOSE-REEL WITH 2 INDEPENDENT OUTER SPRINGS

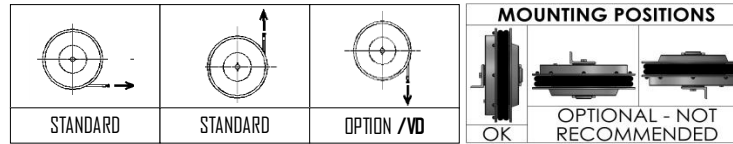
M4

"M4" ENROULER HYDRAULIQUE À 4 TUYAUX AVEC 2 RESSORTS EXT. INDÉPEND.

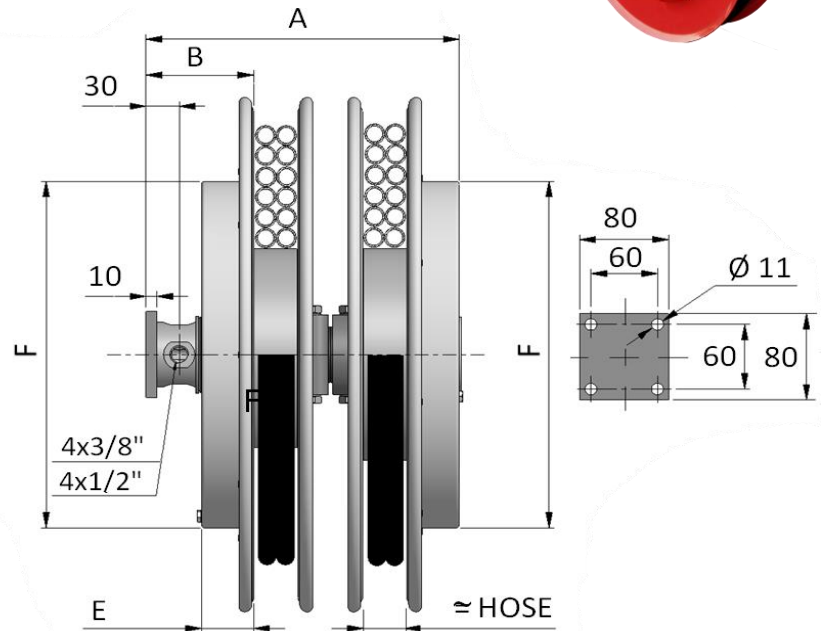
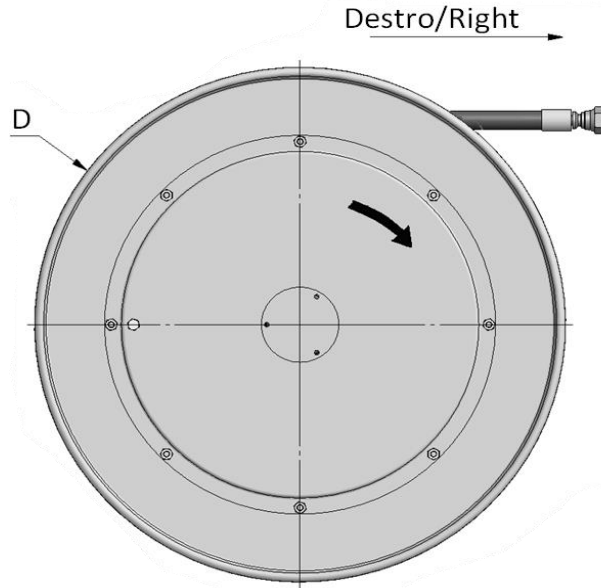
M4 VIERFACH - SCHLAUCHROLLE MIT 2 UNABHÄNGIGEN ÄUSSEREN FEDERN

Max flow rate: 40 l/min  
 Working pressure: standard 300 bar  
 optional 400 bar  
 Max hose speed: 30 m/min  
 Temperature range: -20/+80°C  
 Optional temperature range: -40/+80°C

M4D400=modello destro/right model  
 M4S400=modello sinistro/left model



Corsa verticale verso il basso opzionale = CODICE /VD  
 Vertical downwards is optional = CODE /VD



Disegno tecnico disponibile a richiesta PDF STEP  
 Technical drawing available on request

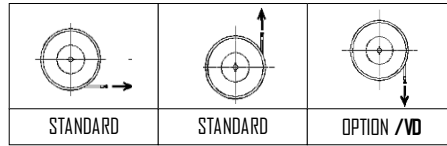
Modello destro Right model	A	B	D	E	F	Senza tubo Without hose	Con tubo - with hose							
							Ø	Lungh. totale Total length	Lungh. Utile Usable length	R7 XX=R7	R8 XX=R8	B1 XX=B1	B2 XX=B2	T2 XX=T2
						kg	m	m						
M4D370.06.XX							1/4"	6.0	5.7					
M4D370.08.XX	282	97	370	47	272	30	5/16"	5.3	5.0					
M4D370.10.XX							3/8"	4.5	4.2					
M4D370.12.XX	292	107					1/2"	3.5	3.2					
M4D400.06.XX							1/4"	7.3	7.0					
M4D400.08.XX	282	97	400	47	272	31	5/16"	6.5	6.2					
M4D400.10.XX							3/8"	5.6	5.3					
M4D400.12.XX	292	107					1/2"	4.5	4.2					
M4D420.06.XX							1/4"	8.6	8.1					
M4D420.08.XX	282	97	420	47	322	42	5/16"	8.0	7.5					
M4D420.10.XX							3/8"	6.7	6.2					
M4D420.12.XX	292	107					1/2"	4.7	4.2					
M4D470.06.XX							1/4"	11.5	11.0					
M4D470.08.XX	282	97	478	47	322	44	5/16"	10.0	9.5					
M4D470.10.XX							3/8"	9.5	9.0					
M4D470.12.XX	292	107					1/2"	7.5	7.0					
M4D520.06.XX							1/4"	14.5	14.0					
M4D520.08.XX	282	97	520	47	422	53	5/16"	12.5	12.0					
M4D520.10.XX							3/8"	11.2	10.7					
M4D520.12.XX	292	107					1/2"	9.0	8.5					
M4D570.06.XX							1/4"	17.5	17.0					
M4D570.08.XX	282	97	570	47	422	75	5/16"	15.5	15.0					
M4D570.10.XX							3/8"	13.5	13.0					
M4D570.12.XX	292	107					1/2"	10.7	10.2					
M4D600.06.XX							1/4"	21.0	20.5					
M4D600.08.XX	282	97	620	47	422	77	5/16"	17.0	16.5					
M4D600.10.XX							3/8"	16.0	15.5					
M4D600.12.XX	292	107					1/2"	12.5	12.0					
M4D650.06.XX							1/4"	22.5	22.0					
M4D650.08.XX	282	97	650	47	422	79	5/16"	19.5	19.0					
M4D650.10.XX							3/8"	17.5	17.0					
M4D650.12.XX	292	107					1/2"	14.5	14.0					
M4D700.06.XX							1/4"	27.0	26.5					
M4D700.08.XX	282	97	720	47	532	81	5/16"	22.0	21.5					
M4D700.10.XX							3/8"	20.0	19.5					
M4D700.12.XX	292	107					1/2"	16.0	15.5					
M4D800.10.XX	282	97	820			90	3/8"	26.0	25.0					
M4D800.12.XX	292	107					1/2"	21.0	20.0					

**AVVOLGITUBO A 4 VIE IDRAULICHE "SERIE 19"**  
**ENROULEUR HYDRAULIQUE À 4 TUYAUX "SÉRIE 19"**

**"SERIES 19" 4 PORT HOSE REEL**  
**SCHLAUCHROLLE "SERIE 19"**

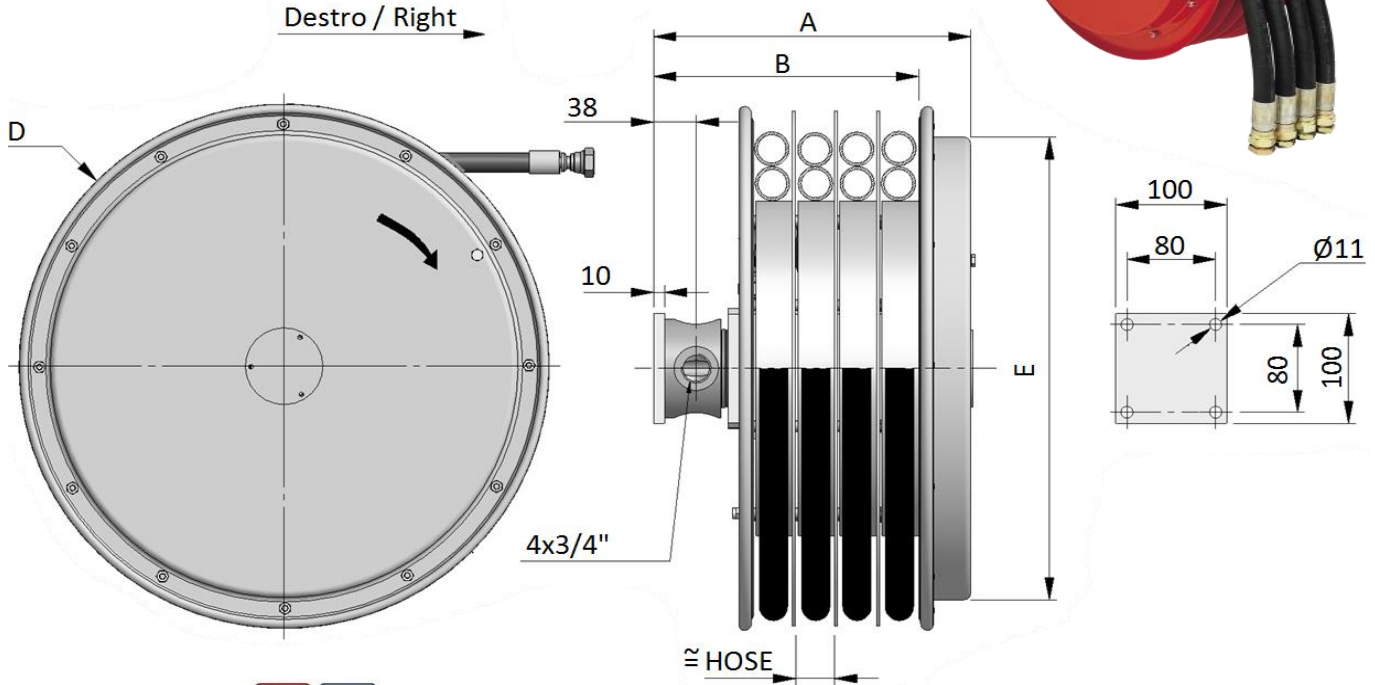
A4.19

Max flow rate: 80 l/min  
 Working pressure: standard 300 bar  
 optional 400 bar  
 Max hose speed: 30 m/min  
 Temperature range: -20/+80°C  
 Optional temperature range: -40/+80°C



**Corsa verticale verso il basso opzionale = CODICE /VD**  
**Vertical downwards is optional = CODE /VD**

A4D400=modello destro/right model  
 A4S400=modello sinistro/left model



Disegno tecnico disponibile a richiesta  
 Technical drawing available on request



Modello destro Right model	A	B	D	E	Senza tubo Without hose		Ø	Con tubo - with 1SN / T2 hose				Con tubo - with 4SP hose		
					kg	m		Lungh.totale Total length	Lungh.utile Usable length	1SN	T2	Lungh.totale Total length	Lungh.utile Usable length	4SP
										XX=1SN	XX=T2			XX=4SP
A4D420.19.16.XX	296	247	420	322	44		5/8"	2.6	2.1			2.6	2.1	
A4D420.19.19.XX														1.8
A4D470.19.16.XX	296	247	478	322	46		5/8"	4.0	3.5			4.0	3.5	
A4D470.19.19.XX														3.0
A4D520.19.16.XX	296	247	520	422	53		5/8"	5.5	5.0			4.5	4.0	
A4D520.19.19.XX														4.2
A4D570.19.16.XX	296	247	570	422	56		5/8"	7.2	6.7			6.0	5.5	
A4D570.19.19.XX														5.9
A4D600.19.16.XX	306	247	620	422	70		5/8"	9.5	8.7			7.5	7.0	
A4D600.19.19.XX														7.3
A4D700.19.16.XX	315	247	720	422	95		5/8"	13.0	12.5			-	-	
A4D700.19.19.XX														-
A4D800.19.16.XX	315	247	820	532	115		5/8"	16.0	15.0			-	-	
A4D800.19.19.XX														-

A4D700.19.16.XX/R	450	247	720	422	-		5/8"	-	-	-	-	11.5	11.0	
A4D700.19.19.XX/R										-	-			-
A4D800.19.16.XX/R	450	247	820	532	-		5/8"	-	-	-	-	16.0	15.0	
A4D800.19.19.XX/R										-	-			-

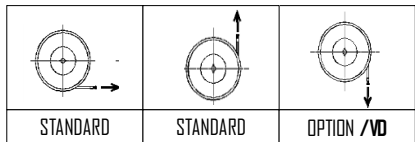
Reinforced  
version

**AVVOLGITUBO TRIPLEX A 3 VIE IDRAULICHE**  
**ENROULEUR HYDRAULIQUE À 3 TUYAUX**

**3 PORT HOSE REEL**  
**3-FACH-SCHLAUCHROLLE**

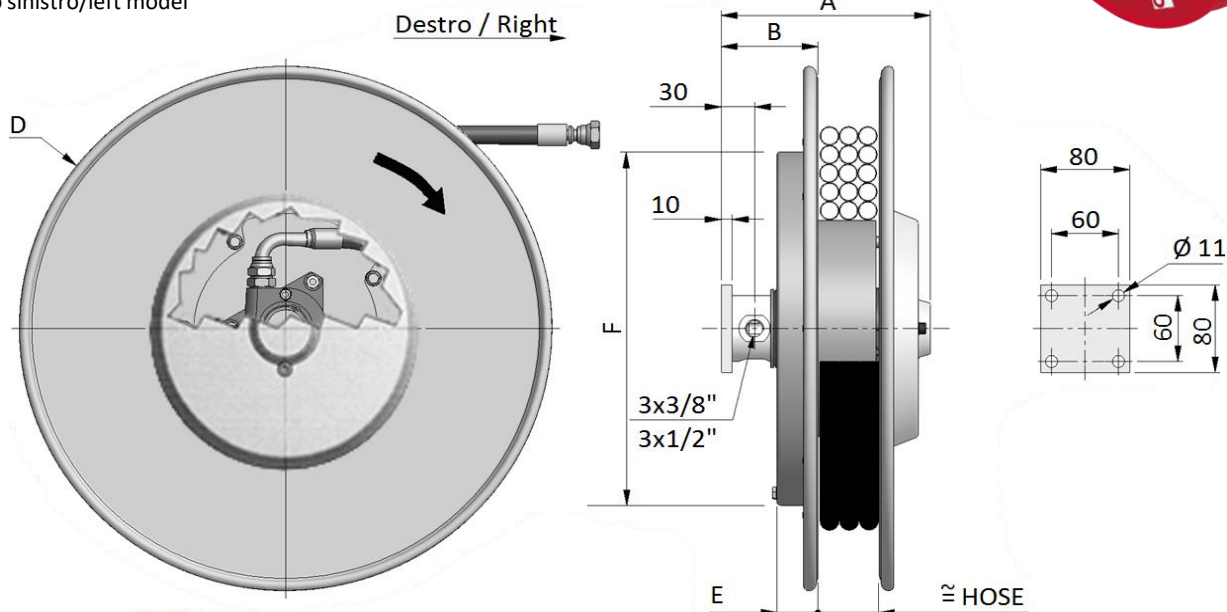
**A3**

Max flow rate: 40 l/min  
 Working pressure: standard 300 bar  
 optional 400 bar  
 Max hose speed: 30 m/min  
 Temperature range: -20/+80°C  
 Optional temperature range: -40/+80°C



A3D400=modello destro/right model  
 A3S400=modello sinistro/left model

**Corsa verticale verso il basso opzionale = CODICE/VD**  
**Vertical downwards is optional = CODE/VD**



Disegno tecnico disponibile a richiesta  
 Technical drawing available on request



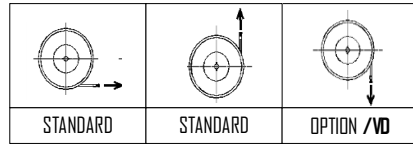
Modello destro Right model	A	B	D	E	F	Senza tubo Without hose	Ø	Con tubo - with hose							
								Lungh.totale Total length		Lungh. Utile Usable length		B1	R8	T2	B3
								m		m		XX=B1	XX=R8	XX=T2	XX=B3
A3D296.06.XX	185	87	295	37	272	16	1/4"	3.0	2.7						
A3D296.08.XX							5/16"	2.3	2.0						
A3D296.10.XX							3/8"	2.3	2.0						
A3D296.12.XX	250	127	325	37	272	17	1/2"	1.5	1.2						
A3D321.06.XX	185	87					1/4"	4.0	3.7						
A3D321.08.XX							5/16"	3.2	2.9						
A3D321.10.XX			3/8"	3.3	3.0										
A3D321.12.XX	250	127	340	37	272	18	1/2"	2.5	2.2						
A3D341.06.XX	185	87					1/4"	5.0	4.7						
A3D341.08.XX							5/16"	4.2	3.9						
A3D341.10.XX			3/8"	4.0	3.7										
A3D341.12.XX	250	127	370	37	272	18	1/2"	2.5	2.2						
A3D370.06.XX	185	87					1/4"	6.0	5.7						
A3D370.08.XX							5/16"	5.3	5.0						
A3D370.10.XX			3/8"	4.5	4.2										
A3D370.12.XX	250	127	400	47	272	19	1/2"	3.5	3.2						
A3D400.06.XX	185	87					1/4"	7.3	7.0						
A3D400.08.XX							5/16"	6.5	6.2						
A3D400.10.XX			3/8"	5.6	5.3										
A3D400.12.XX	250	127	420	47	322	22	1/2"	4.5	4.2						
A3D420.06.XX	185	87					1/4"	8.6	8.1						
A3D420.08.XX							5/16"	8.0	7.5						
A3D420.10.XX			3/8"	6.7	6.2										
A3D420.12.XX	250	127	478	47	322	24	1/2"	4.7	4.2						
A3D470.06.XX	198	97					1/4"	11.5	11.0						
A3D470.08.XX							5/16"	10.0	9.5						
A3D470.10.XX			3/8"	9.5	9.0										
A3D 470.12.XX	250	127					1/2"	7.5	7.0						

**AVVOLGITUBO TRIPLEX A 3 VIE IDRAULICHE  
ENROULEUR HYDRAULIQUE À 3 TUYAUX**

**3 PORT HOSE REEL  
3-FACH-SCHLAUCHROLLE**

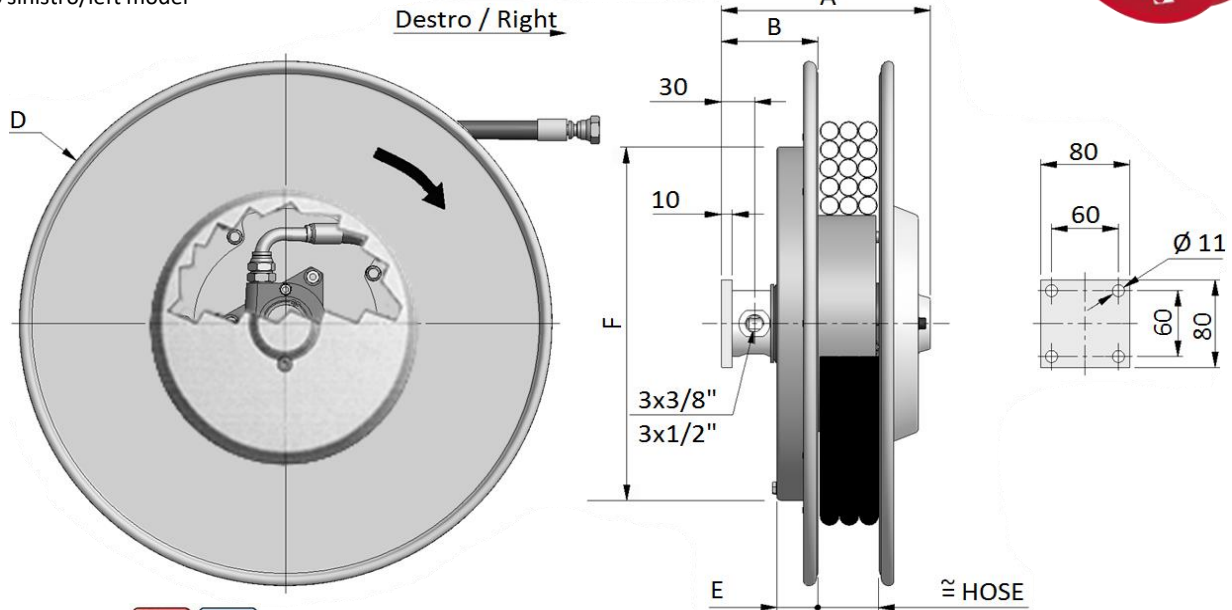
**A3**

Max flow rate: 40 l/min  
Working pressure: standard 300 bar  
optional 400 bar  
Max hose speed: 30 m/min  
Temperature range: -20/+80°C  
Optional temperature range: -40/+80°C



**Corsa verticale verso il basso opzionale = CODICE/VD  
Vertical downwards is optional = CODE/VD**

A3D400=modello destro/right model  
A3S400=modello sinistro/left model



Disegno tecnico disponibile a richiesta  
Technical drawing available on request



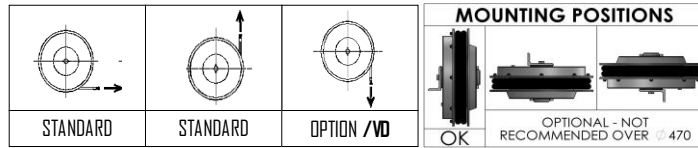
Modello destro Right model	A	B	D	E	F	Senza tubo Without hose	Ø	Con tubo - with hose					
								Lungh.totale Total length	Lungh. Utile Usable length	B1 XX=B1	R8 XX=R8	T2 XX=T2	B3 XX=B3
								m	m				
A3D520.06.XX	198	97	520	47	322	28	1/4"	14.5	14.0				
A3D520.08.XX							5/16"	12.5	12.0				
A3D520.10.XX							3/8"	11.2	10.7				
A3D520.12.XX	250	127					1/2"	9.0	8.5				
A3D570.06.XX	198	97	570	47	422	32	1/4"	17.5	17.0				
A3D570.08.XX							5/16"	15.5	15.0				
A3D570.10.XX							3/8"	13.5	13.0				
A3D570.12.XX	250	127					1/2"	10.7	10.2				
A3D600.06.XX	198	97	620	47	422	38	1/4"	21.0	20.5				
A3D600.08.XX							5/16"	17.0	16.5				
A3D600.10.XX							3/8"	16.0	15.5				
A3D600.12.XX	250	127					1/2"	12.5	12.0				
A3D650.06.XX	198	97	650	47	422	44	1/4"	22.5	22.0				
A3D650.08.XX							5/16"	19.5	19.0				
A3D650.10.XX							3/8"	17.5	17.0				
A3D650.12.XX	250	127					1/2"	14.5	14.0				
A3D700.06.XX	198	97	720	57	422	50	1/4"	27.0	26.5				
A3D700.08.XX							5/16"	22.0	21.5				
A3D700.10.XX							3/8"	20.0	19.5				
A3D700.12.XX	250	127					1/2"	16.0	15.5				
A3D800.08.XX	198	97	820	57	532	-	5/16"	30.0	29.0				
A3D800.10.XX							3/8"	26.0	25.0				
A3D800.12.XX							1/2"	21.0	20.0				
A3D900.08.XX	198	97	920	57	532	-	5/16"	38.0	37.0				
A3D900.10.XX							3/8"	34.0	33.0				
A3D900.12.XX							1/2"	28.0	27.0				



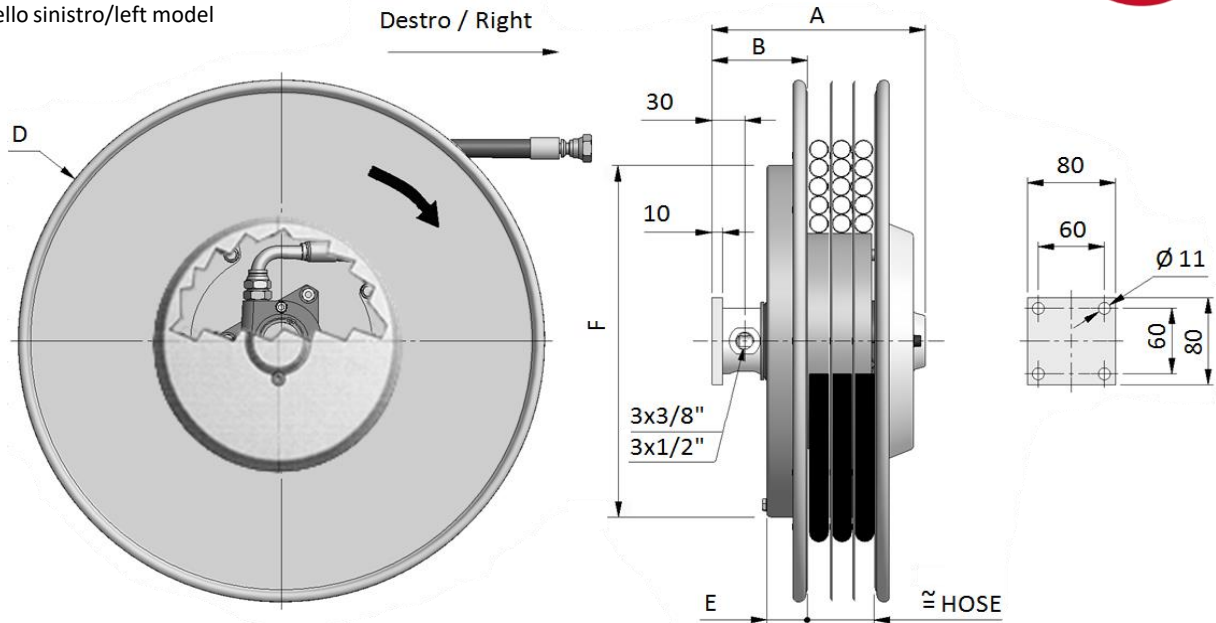
**AVVOLGITUBO A 3 VIE IDRAULICHE**  
**ENROULEUR HYDRAULIQUE À 3 TUYAUX**
**3 PORT HOSE REEL**  
**3-FACH-SCHLAUCHROLLE**

S3

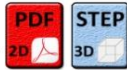
Max flow rate: 40 l/min  
 Working pressure: standard 300 bar  
 optional 400 bar  
 Max hose speed: 30 m/min  
 Temperature range: -20/+80°C  
 Optional temperature range: -40/+80°C



S3D400=modello destro/right model  
 S3S400=modello sinistro/left model



Disegno tecnico disponibile a richiesta  
 Technical drawing available on request

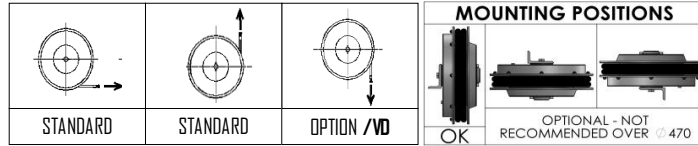


Modello destro Right model	A	B	D	E	F	Senza tubo Without hose		Ø	Con tubo - with B1 / T2 / B3 hose					Con tubo - with 4SP hose		
						kg	Lungh.totale Total length		Lungh. Utile Usable length	B1 XX=B1	T2 XX=T2	B3 XX=B3	Lungh.totale Total length	Lungh.utile Usable length	4SP XX=4SP	
																m
S3D296.06.XX	161	75	295	35	291	17		1/4"	2.3	2.0				-	-	
S3D296.08.XX								5/16"	1.4	1.1						
S3D296.10.XX								3/8"	1.5	1.2						
S3D296.12.XX								1/2"	1.5	1.2						
S3D321.06.XX	161	82	325	37	272	18		1/4"	3.3	3.0				-	-	
S3D321.08.XX								5/16"	2.3	2.0						
S3D321.10.XX								3/8"	2.4	2.1						
S3D321.12.XX								1/2"	1.5	1.2						
S3D341.06.XX	161	82	340	37	272	19		1/4"	3.3	3.0				-	-	
S3D341.08.XX								5/16"	3.3	3.0						
S3D341.10.XX								3/8"	2.4	2.1						
S3D341.12.XX								1/2"	2.5	2.2						
S3D370.06.XX	161	82	370	37	272	20		1/4"	4.3	4.0				-	-	
S3D370.08.XX								5/16"	4.4	4.1						
S3D370.10.XX								3/8"	3.5	3.2						
S3D370.12.XX								1/2"	3.6	3.3						
S3D400.06.XX	161	82	400	47	322	21		1/4"	5.5	5.2				-	-	
S3D400.08.XX								5/16"	5.7	5.4						
S3D400.10.XX								3/8"	4.6	4.3						
S3D400.12.XX								1/2"	3.6	3.3						
S3D420.06.XX	161	82	420	47	322	24		1/4"	6.7	6.2				-	-	
S3D420.08.XX								5/16"	5.7	5.2						
S3D420.10.XX								3/8"	4.6	4.3						
S3D420.12.XX								1/2"	3.6	3.1						

**AVVOLGITUBO A 3 VIE IDRAULICHE**  
**ENROULEUR HYDRAULIQUE À 3 TUYAUX**
**3 PORT HOSE REEL**  
**3-FACH-SCHLAUCHROLLE**

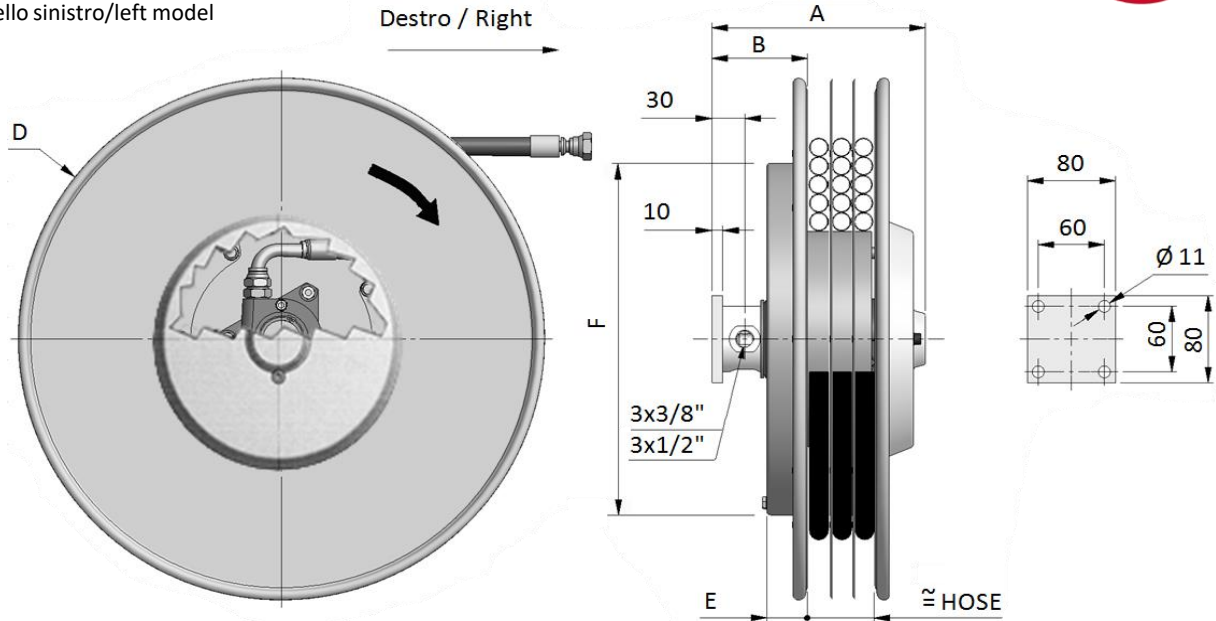
S3

Max flow rate: 40 l/min  
 Working pressure: standard 300 bar  
 optional 400 bar  
 Max hose speed: 30 m/min  
 Temperature range: -20/+80°C  
 Optional temperature range: -40/+80°C

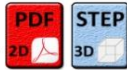


**Corsa verticale verso il basso opzionale = CODICE/VD**  
**Vertical downwards is optional = CODE/VD**

S3D400=modello destro/right model  
 S3S400=modello sinistro/left model



Disegno tecnico disponibile a richiesta  
 Technical drawing available on request



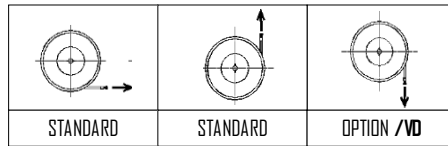
Modello destro Right model	A	B	D	E	F	Senza tubo Without hose		Ø	Con tubo - with B1 / T2 / B3 hose					Con tubo - with 4SP hose		
						kg	Lungh.totale Total length		Lungh. Utile Usable length	B1 XX=B1	T2 XX=T2	B3 XX=B3	Lungh.totale Total length	Lungh.utile Usable length	4SP XX=4SP	
																m
S3D470.06.XX	161	82	478	47	322	26		1/4"	9.5	9.0				-	-	
S3D470.08.XX								5/16"	8.4	7.9			-	-		
S3D470.10.XX								3/8"	7.3	6.8			-	-		
S3D470.12.XX								1/2"	6.3	5.8			3.6	3.3		
S3D520.06.XX	171	92	520	47	422	31		1/4"	11.1	10.6				-	-	
S3D520.08.XX								5/16"	9.9	9.4			-	-		
S3D520.10.XX								3/8"	8.9	8.4			-	-		
S3D520.12.XX								1/2"	7.9	7.4			5.0	4.7		
S3D570.06.XX	171	92	570	47	422	35		1/4"	14.5	14.0				-	-	
S3D570.08.XX								5/16"	11.6	11.1			-	-		
S3D570.10.XX								3/8"	10.6	10.1			-	-		
S3D570.12.XX								1/2"	9.7	9.2			6.7	6.2		
S3D600.06.XX	171	92	620	47	422	42		1/4"	16.3	15.8				-	-	
S3D600.08.XX								5/16"	15.2	14.7			-	-		
S3D600.10.XX								3/8"	12.3	11.8			-	-		
S3D600.12.XX								1/2"	11.4	10.9			8.5	8.0		
S3D650.06.XX	181	102	650	57	422	48		1/4"	18.3	17.8				-	-	
S3D650.08.XX								5/16"	17.2	16.7			-	-		
S3D650.10.XX								3/8"	14.3	13.8			-	-		
S3D650.12.XX								1/2"	11.8	11.3			10.5	10.0		
S3D700.06.XX	181	102	720	57	532	55		1/4"	22.5	22.0				-	-	
S3D700.08.XX								5/16"	19.3	18.8			-	-		
S3D700.10.XX								3/8"	18.5	18.0			-	-		
S3D700.12.XX								1/2"	15.0	14.5			12.6	12.1		

AVVOLGITUBO A 3 VIE IDRAULICHE "SERIE 19"  
ENROULEUR HYDRAULIQUE À 3 TUYAUX "SÉRIE 19"

"SERIES 19" 3 PORT HOSE REEL  
SCHLAUCHROLLE "SERIE 19"

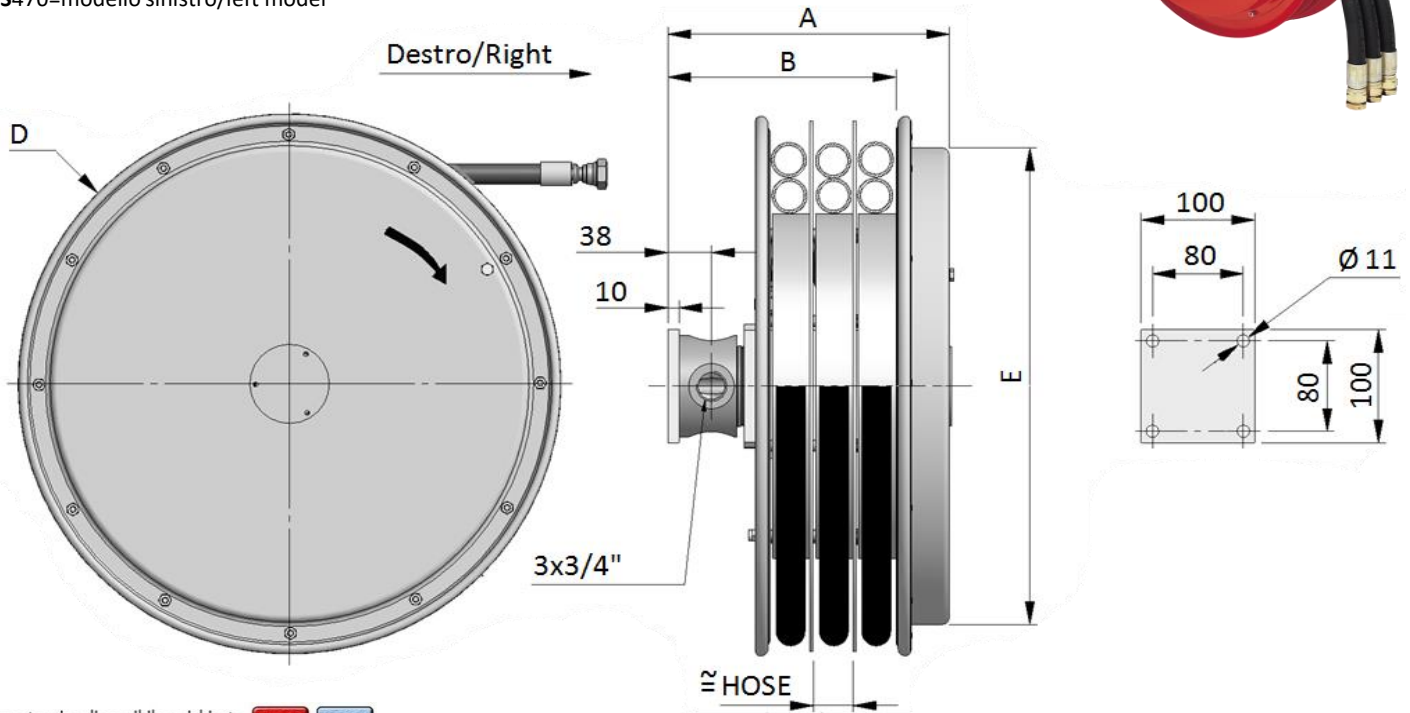
A3.19

Max flow rate: 80 l/min  
Working pressure: standard 300 bar  
optional 400 bar  
Max hose speed: 30 m/min  
Temperature range: -20/+80°C  
Optional temperature range: -40/+80°C



Corsa verticale verso il basso opzionale = CODICE/VD  
Vertical downwards is optional = CODE/VD

A3D470=modello destro/right model  
A3S470=modello sinistro/left model



Disegno tecnico disponibile a richiesta  
Technical drawing available on request



Modello destro Right model	A	B	D	E	Senza tubo Without hose	Ø	Con tubo - with 1SN / T2 hose				Con tubo - with 4SP hose		
							Lungh.totale Total length	Lungh.utile Usable length	1SN XX=1SN	T2 XX=T2	Lungh.totale Total length	Lungh.utile Usable length	4SP XX=4SP
							m	m			m	m	
A3D420.19.16.XX	246	209	420	322	43	5/8"	2.6	2.1			2.6	2.1	
A3D420.19.19.XX						3/4"	2.6	2.1			1.8	1.3	
A3D470.19.16.XX	246	189	478	422	45	5/8"	4.0	3.5			4.0	3.5	
A3D470.19.19.XX						3/4"	4.0	3.5			3.0	2.5	
A3D520.19.16.XX	246	189	520	422	52	5/8"	5.5	5.0			4.5	4.0	
A3D520.19.19.XX						3/4"	4.2	3.7			4.2	3.7	
A3D570.19.16.XX	256	189	570	422	55	5/8"	7.2	6.7			6.0	5.5	
A3D570.19.19.XX						3/4"	5.9	5.4			5.9	5.4	
A3D600.19.16.XX	256	189	620	422	68	5/8"	9.5	8.7			7.5	7.0	
A3D600.19.19.XX						3/4"	7.6	7.1			7.3	6.8	
A3D700.19.16.XX	275	199	720	422	90	5/8"	13.0	12.5			-	-	
A3D700.19.19.XX						3/4"	10.0	9.5			-	-	
A3D800.19.16.XX	275	199	820	532	110	5/8"	16.0	15.0			-	-	
A3D800.19.19.XX						3/4"	14.5	13.5			-	-	
A3D700.19.16.XX/VD	365	199	720	422	-	5/8"	-	-			11.5	11.0	
A3D700.19.19.XX/VD						3/4"	-	-			10.0	9.5	
A3D800.19.16.XX/VD	365	199	820	532	-	5/8"	-	-			16.0	15.0	
A3D800.19.19.XX/VD						3/4"	-	-			14.0	13.0	

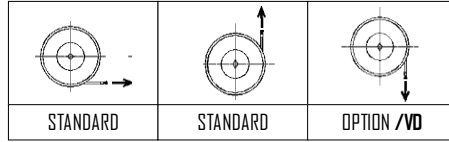
Reinforced  
version

**AWOLGITUBO A 3 VIE IDRAULICHE "SERIE 25 "**  
**ENROULEUR HYDRAULIQUE À 3 TUYAUX "SÉRIE 25"**

**"SERIES 25" 3 PORT HOSE REEL**  
**SCHLAUCHROLLE "SERIE 25"**

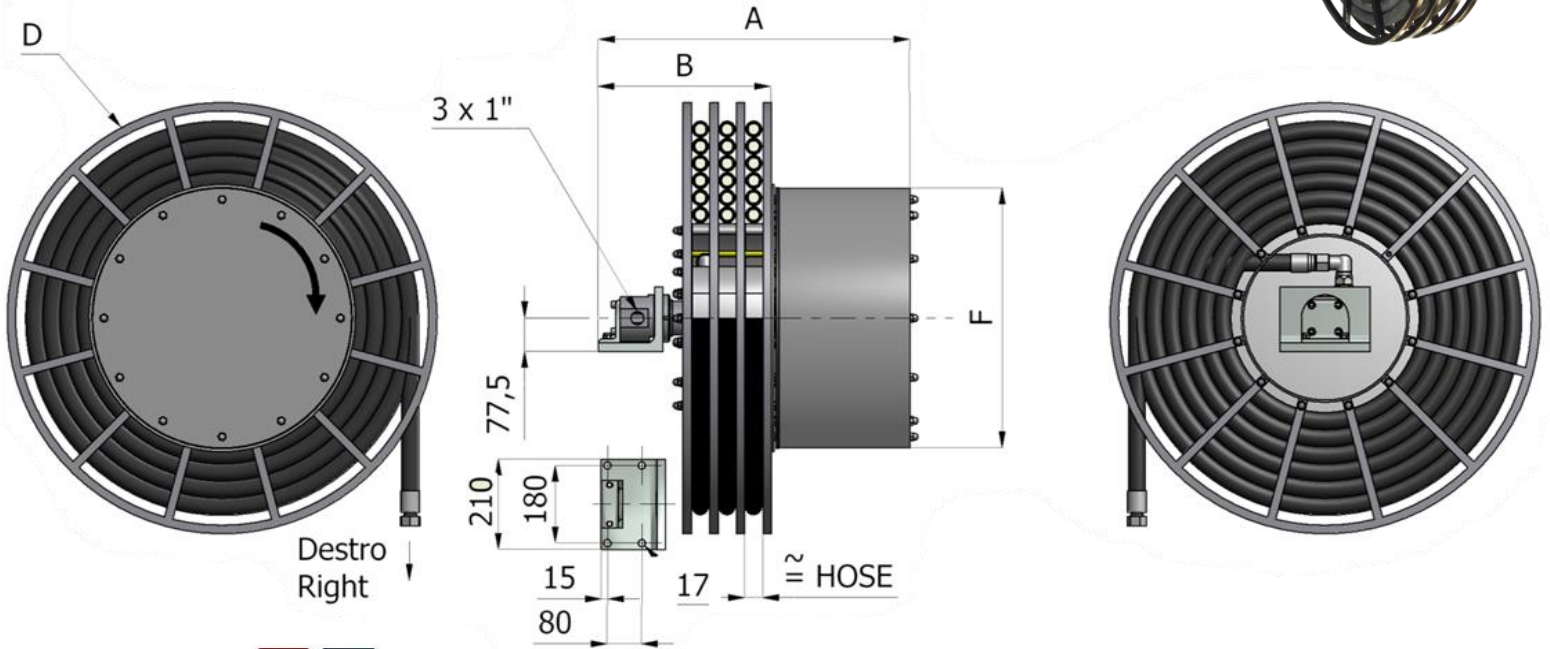
**A3.25**

Max flow rate: 135 l/min  
 Working pressure: standard 300 bar  
 optional 400 bar  
 Max hose speed: 30 m/min  
 Temperature range: -20/+80 °C  
 Optional temperature range: -40/+80 °C



**Corsa verticale verso il basso opzionale = CODICE/VD**  
**Vertical downwards is optional = CODE/VD**

A3D700=modello destro/right model  
 A3S700=modello sinistro/left model



Disegno tecnico disponibile a richiesta PDF STEP  
 Technical drawing available on request

Modello destro Right model	A	B	D	F	Senza tubo Without hose		CON TUBO / WITH HOSE							
					kg	Ø	2SC		4SP		4SH			
							Lungh.totale Total length	Lungh. Utile Usable length	Lungh.totale Total length	Lungh.utile Usable length	Lungh.totale Total length	Lungh.utile Usable length		
A3D700.25.25.XX	405	263	720	605		1"	6.4	5.4	-	-	6.4	5.4		
A3D800.25.19.XX	405	263	810	605		3/4"	12.0	11.0	10.0	9.0	-	-		
A3D800.25.25.XX						1"	10.0	9.0	-	-	8.6	7.6		
A3D900.25.12.XX						1/2"	21.0	20.0	21.0	20.0	-	-		
A3D900.25.16.XX	542	300	910	605		5/8"	19.0	18.0	17.0	16.0	-	-		
A3D900.25.19.XX						3/4"	15.0	14.0	15.0	14.0	-	-		
A3D900.25.25.XX						1"	13.5	12.5	-	-	11.2	10.2		
A3D1000.25.12.XX	542	300	1000	605		1/2"	25.0	24.0	25.0	24.0	-	-		
A3D1000.25.16.XX						5/8"	23.0	22.0	23.0	22.0	-	-		
A3D1000.25.19.XX						3/4"	20.0	19.0	19.0	18.0	-	-		
A3D1000.25.25.XX						1"	15.0	14.0	-	-	15.0	14.0		
A3D1200.25.12.XX	Solo a richiesta Only on request													
A3D1200.25.16.XX														
A3D1200.25.19.XX														
A3D1200.25.25.XX														



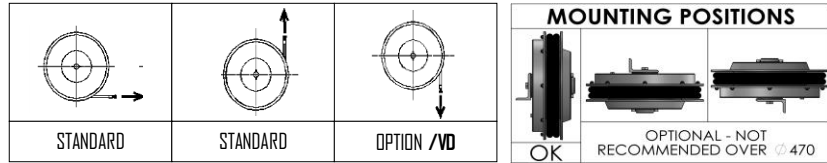
**AWOLGITUBO A I VIA IDRAULICA**  
**ENROULEUR HYDRAULIQUE À I TUYAU**

**I PORT HOSE REEL**  
**EINFACH-SCHLAUCHROLLE**

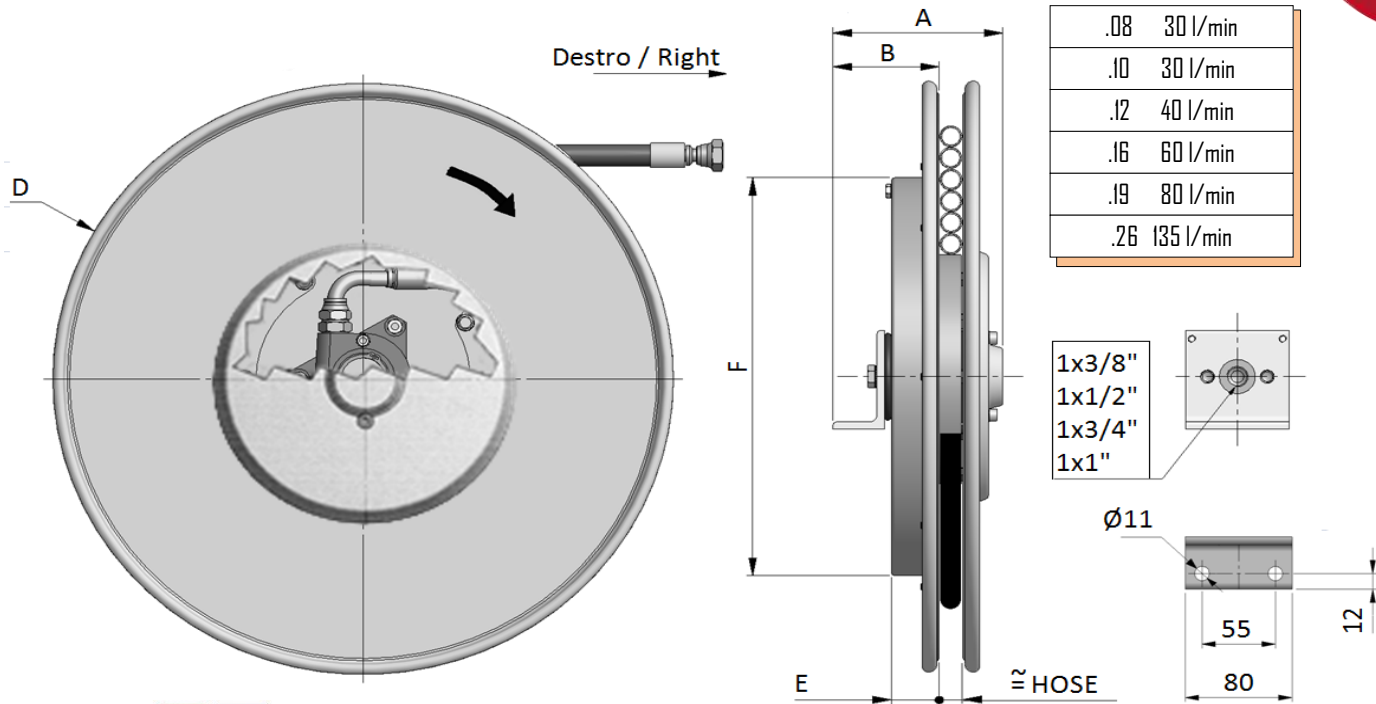
**S1**

Max flow rate: 30 ÷135 l/min  
 Working pressure: standard 300 bar  
 optional 400 bar  
 Max hose speed: 30 m/min  
 Temperature range: -20/+80°C  
 Optional temperature range: -40/+80°C

S1D400=modello destro/right model  
 S1S400=modello sinistro/left model



**Corsa verticale verso il basso opzionale = CODICE/VD**  
**Vertical downwards is optional = CODE/VD**



Disegno tecnico disponibile a richiesta   
 Technical drawing available on request

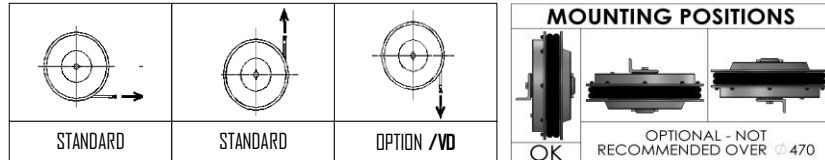
Modello destro Right model	A	B	D	E	F	Senza tubo Without hose	Con tubo - with B1 / T2 / B3 / 1SN / 2SC hose					Con tubo - with 4SP/4SH(1") hose										
							Ø	Lungh.totale	Lungh.utile	B1	T2	B3	1SN	2SC	Lungh.totale	Lungh.utile	4SP/4SH(1")					
								Total length	Usable length	XX=B1	XX=T2	XX=B3	XX=1SN	XX=2SC	Total length	Usable length	XX=4SP/H					
S1D296.08.XX	150	82	295	37	272		5/16"	1.4	1.1													
S1D296.10.XX							3/8"	1.5	1.2													
S1D321.08.XX	150	82	325	37	272		5/16"	2.3	2.0													
S1D321.10.XX							3/8"	2.4	2.1													
S1D341.08.XX	150	82	340	37	272		5/16"	3.3	3.0													
S1D341.10.XX							3/8"	2.4	2.1													
S1D341.12.XX							1/2"	2.5	2.2													
S1D370.08.XX	150	82	370	37	322		5/16"	4.4	4.1													
S1D370.10.XX							3/8"	3.5	3.2													
S1D370.12.XX							1/2"	3.6	3.3													
S1D400.08.XX	150	92	400	47	322		5/16"	5.7	5.4													
S1D400.10.XX							3/8"	4.6	4.3													
S1D400.12.XX							1/2"	3.6	3.3													
S1D420.08.XX	190	92	420	47	322		5/16"	6.7	6.2													
S1D420.10.XX							3/8"	5.7	5.2													
S1D420.12.XX							1/2"	4.8	4.3													
S1D420.16.XX							5/8"	2.6	2.1													
S1D420.19.XX							3/4"	2.6	2.1													
S1D470.08.XX	160	92	478	47	322		5/16"	8.4	7.9													
S1D470.10.XX							3/8"	7.3	6.8													
S1D470.12.XX							1/2"	6.3	5.8								3.6	3.1				
S1D470.16.XX							5/8"	4.0	3.5								4.0	3.5				
S1D470.19.XX							3/4"	2.7	2.2								3.0	2.5				
S1D520.08.XX	160	92	520	47	422		5/16"	9.9	9.4													
S1D520.10.XX							3/8"	8.9	8.4													
S1D520.12.XX							1/2"	7.9	7.4								5.0	4.5				
S1D520.16.XX							5/8"	5.0	4.5								4.5	4.0				
S1D520.19.XX							3/4"	4.2	3.9								4.2	3.7				
S1D520.26.XX	201	122					1"	2.8	2.5													

**AWOLGITUBO A I VIA IDRAULICA**  
**ENROULEUR HYDRAULIQUE À I TUYAU**
**I PORT HOSE REEL**  
**EINFACH-SCHLAUCHROLLE**

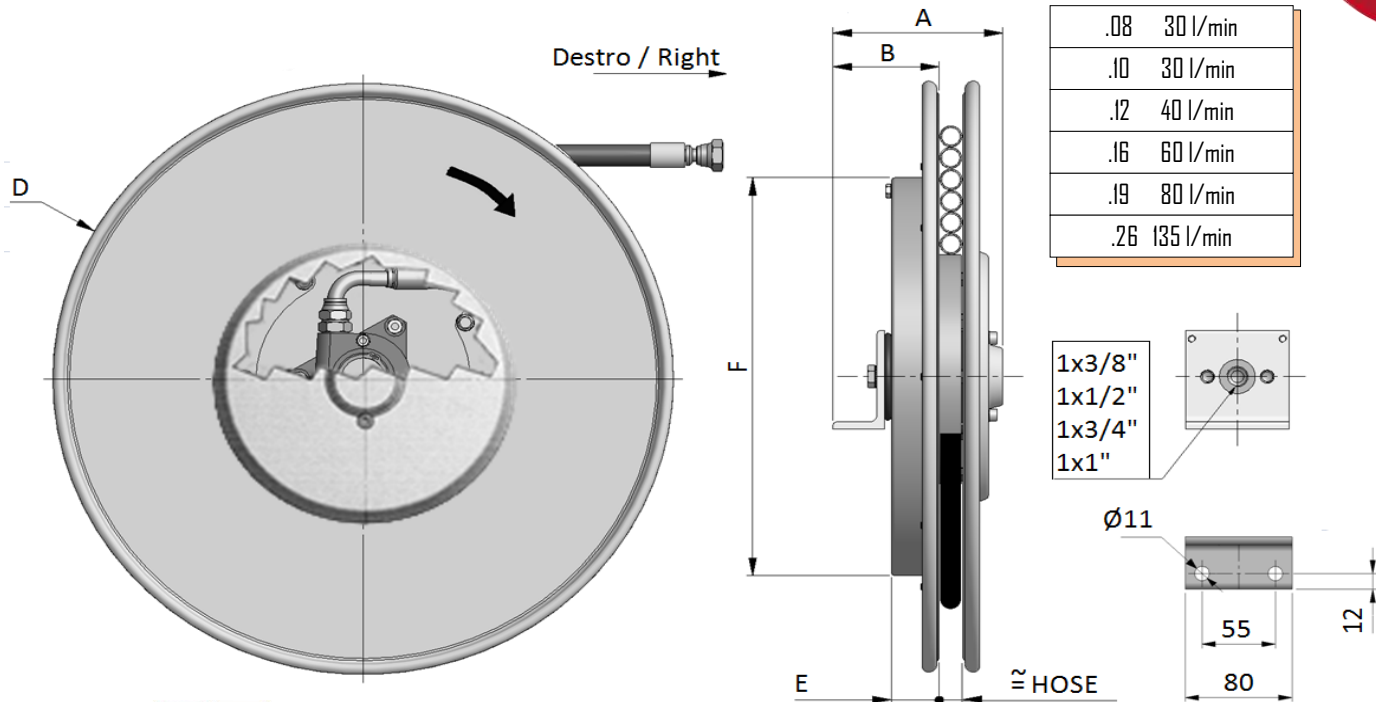
S1

Max flow rate: 30 ÷ 135 l/min  
 Working pressure: standard 300 bar  
 optional 400 bar  
 Max hose speed: 30 m/min  
 Temperature range: -20/+80°C  
 Optional temperature range: -40/+80°C

S1D400=modello destro/right model  
 S1S400=modello sinistro/left model



Corsa verticale verso il basso opzionale = CODICE/VD  
 Vertical downwards is optional = CODE/VD



Disegno tecnico disponibile a richiesta  
 Technical drawing available on request

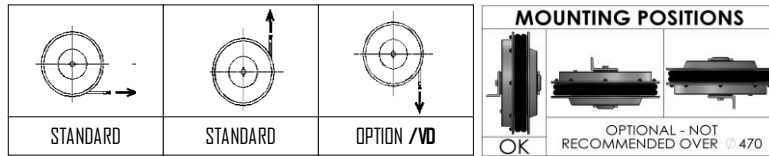


Modello destro Right model	A	B	D	E	F	Senza tubo Without hose	Con tubo - with B1 / T2 / B3 / 1SN / 2SC hose					Con tubo - with 4SP/4SH(1") hose					
							Ø	Lungh.totale	Lungh.utile	B1	T2	B3	1SN	2SC	Lungh.totale	Lungh.utile	4SP/4SH(1")
								Total length	Usable length	XX=B1	XX=T2	XX=B3	XX=1SN	XX=2SC	Total length	Usable length	XX=4SP/H
S1D570.10.XX	160	92	570	47	422		3/8"	10.6	10.1						-	-	
S1D570.12.XX							1/2"	9.7	9.2						6.7	6.2	
S1D570.16.XX							5/8"	5.7	5.4						6.0	5.5	
S1D570.19.XX							3/4"	5.3	4.8						5.9	5.4	
S1D570.26.XX	201	122					1"	4.0	3.7					4.0	3.5		
S1D600.10.XX	160	92	620	47	422		3/8"	12.3	11.8						-	-	
S1D600.12.XX							1/2"	11.4	10.9						8.5	8.0	
S1D600.16.XX							5/8"	7.5	7.0						7.5	7.0	
S1D600.19.XX							3/4"	7.0	6.5						7.3	6.8	
S1D600.26.XX	201	122					1"	6.0	5.7					4.0	3.5		
S1D650.10.XX	160	92	650	47	422		3/8"	14.3	13.8						-	-	
S1D650.12.XX							1/2"	11.8	11.3						10.5	10.0	
S1D650.16.XX							5/8"	9.4	9.1						9.0	8.5	
S1D650.19.XX							3/4"	7.8	7.5						7.3	6.8	
S1D650.26.XX	201	122					1"	6.3	6.0					5.8	5.3		
S1D700.10.XX	160	92	720	47	422		3/8"	18.5	18.0						-	-	
S1D700.12.XX							1/2"	15.0	14.5						12.6	12.1	
S1D700.16.XX							5/8"	13.0	12.5						11.5	11.0	
S1D700.19.XX							3/4"	9.8	9.5						10.0	9.5	
S1D700.26.XX	201	122					1"	8.0	7.5					7.9	7.4		
S1D800.26.19.XX													Solo su richiesta Only on request				
S1D800.26.25.XX																	
S1D900.26.26.XX																	
S1D1000.26.25.XX																	

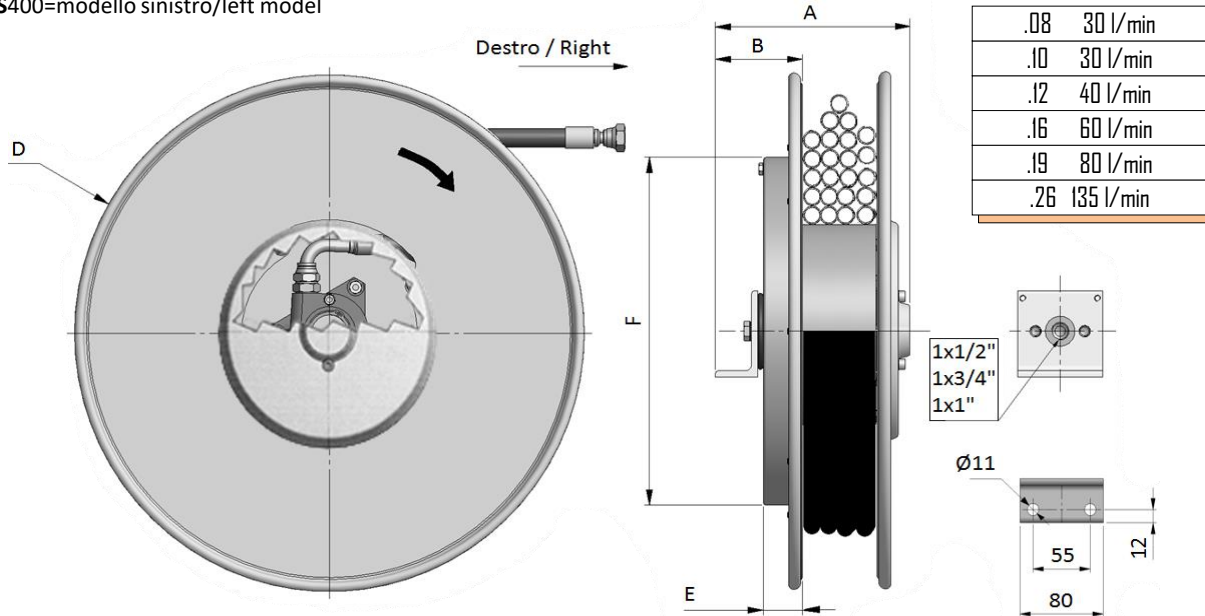
**AVVOLGITUBO A 1 VIA IDRAULICA**  
**ENROULEUR HYDRAULIQUE À 1 TUYAU**
**1 PORT HOSE REEL**  
**EINFACH-SCHLAUCHROLLE**
**M1**



Max flow rate: 30 ÷ 135 l/min  
 Working pressure: standard 300 bar  
 optional 400 bar  
 Max hose speed: 30 m/min  
 Temperature range: -20/+80°C  
 Optional temperature range: -40/+80 °C

M1D400=modello destro/right model  
 M1S400=modello sinistro/left model



**Corsa verticale verso il basso opzionale = CODICE/VD**  
**Vertical downwards is optional = CODE/VD**

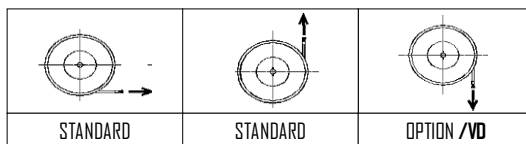


Disegno tecnico disponibile a richiesta    
 Technical drawing available on request

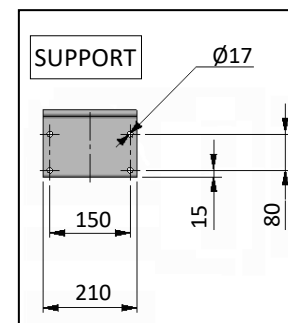
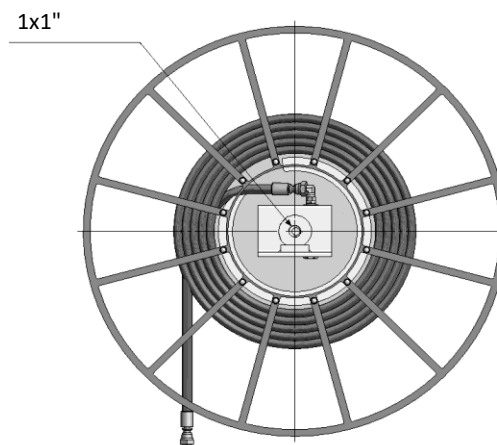
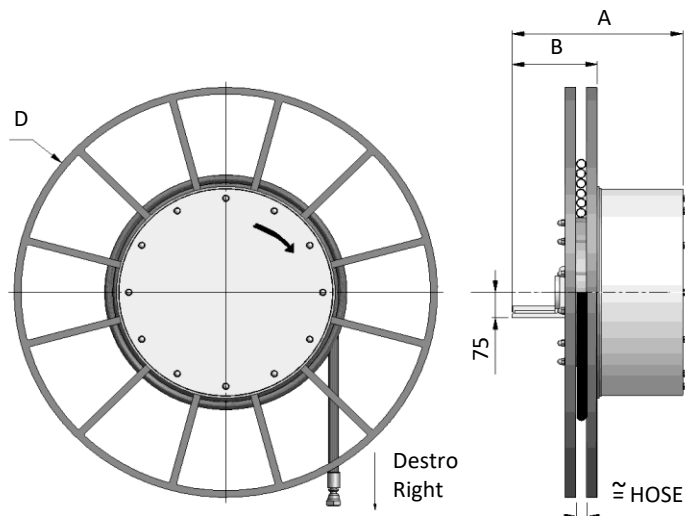
Modello destro Right model	A	B	D	E	F	Senza tubo Without hose	Con tubo - with hose						
							Lunghezza totale - Total length (Utile - Usable = - 0,5m)						
							Ø	XX = 1SN		XX = T2		XX = B1	
m		m		m									
M1D296.06.XX			295				1/4"	4.7		3.5		5.5	
M1D321.06.XX							1/4"	5.0		4.7		6.0	
M1D321.08.XX	182	92	325	47	292		5/16"	4.5		4.0		5.0	
M1D321.10.XX							3/8"	4.5		3.0		4.5	
M1D341.06.XX							1/4"	5.5		5.0		6.0	
M1D341.08.XX			340				5/16"	4.7		4.7		5.5	
M1D341.10.XX							3/8"	4.7		4.5		5.0	
M1D370.06.XX							1/4"	7.0		6.0		10.0	
M1D370.08.XX			370				5/16"	7.0		5.5		9.0	
M1D370.10.XX							3/8"	6.0		5.0		9.0	
M1D470.06.XX							1/4"	15.5		14.5		16.0	
M1D470.08.XX	193	92	478	47	422		5/16"	14.5		13.5		15.5	
M1D470.10.XX							3/8"	13.5		12.5		15.0	
M1D520.06.XX							1/4"	21.0		21.0		22.5	
M1D520.08.XX							5/16"	16.5		15.0		21.5	
M1D520.10.XX	213	92	520	47	422		3/8"	15.5		14.0		21.5	
M1D520.12.XX							1/2"	13.5		11.5		17.5	
M1D570.08.XX							5/16"	17.5		17.5		18.5	
M1D570.10.XX	213	92	570	47	422		3/8"	17.0		17.0		17.5	
M1D570.12.XX							1/2"	15.5		14.5		19.5	
M1D600.08.XX							5/16"	20.5		20.5		26.0	
M1D600.10.XX	225	112	620	57	532		3/8"	20.5		20.5		26.0	
M1D600.12.XX							1/2"	20.5		20.5		26.0	
M1D700.12.XX	Solo a richiesta Only on request												
M1D800.10.XX													
M1D800.12.XX													

Max flow rate: 135 l/min  
 Working pressure: standard 300 bar  
 optional 400 bar  
 Max hose speed: 30 m/min  
 Temperature range: -20/+80°C  
 Optional temperature range: -40/+80 °C

A1D800=modello destro/right model  
 A1S800=modello sinistro/left model



Corsa verticale verso il basso opzionale = CODICE/VD  
 Vertical downwards is optional = CODE/VD



Disegno tecnico disponibile a richiesta  
 Technical drawing available on request

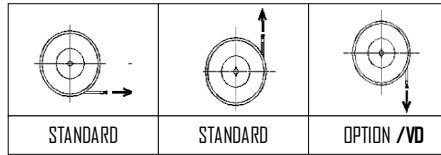


Modello destro Right model	A	B	D	Senza tubo Without hose		Ø	CON TUBO / WITH HOSE											
							2SC		T2		4SP		4SH					
							XX=2SC	XX=T2	XX=4SP	XX=4SH								
							Lungh.totale Total length	Lungh.utile Usable length			Lungh.totale Total length	Lungh.utile Usable length						
							m		m		m		m					
A1D800.25.16.XX						5/8"	14.0	13.0			14.0	13.0	-	-				
A1D800.25.19.XX	-	242	810			3/4"	12.0	11.0			12.0	11.0	-	-				
A1D800.25.25.XX						1"	10.0	9.0			-	-	10.0	9.0				
A1D900.25.12.XX						1/2"	21.0	20.0			21.0	20.0	-	-				
A1D900.25.16.XX						5/8"	19.0	18.0			19.0	18.0	-	-				
A1D900.25.19.XX	-	242	910			3/4"	17.5	16.5			15.0	14.0	-	-				
A1D900.25.25.XX						1"	13.5	12.5			-	-	11.2	10.2				
A1D1000.25.12.XX						1/2"	25.0	24.0			25.0	24.0	-	-				
A1D1000.25.16.XX						5/8"	23.0	22.0			23.0	22.0	-	-				
A1D1000.25.19.XX	-	242	1000			3/4"	20.0	19.0			19.0	18.0	-	-				
A1D1000.25.25.XX						1"	15.0	14.0			-	-	15.0	14.0				
A1D1200.25.12.XX						1/2"	38.0	37.0			38.0	37.0	-	-				
A1D1200.25.16.XX						5/8"	30.0	29.0			30.0	29.0	-	-				
A1D1200.25.19.XX	-	300	1200			3/4"	30.0	29.0			30.0	29.0	-	-				
A1D1200.25.25.XX						1"	26.0	25.0			-	-	23.0	22.0				
A1D1400.25.12.XX						1/2"	45.0	44.0			45.0	44.0	-	-				
A1D1400.25.16.XX						5/8"	40.0	39.0			35.0	34.0	-	-				
A1D1400.25.19.XX	-	300	1400			3/4"	35.0	34.0			35.0	34.0	-	-				
A1D1400.25.25.XX						1"	30.0	29.0			-	-	30.0	29.0				
A1D1600.25.12.XX						1/2"	50.0	49.0			50.0	49.0	-	-				
A1D1600.25.16.XX						5/8"	50.0	49.0			50.0	49.0	-	-				
A1D1600.25.19.XX	-	300	1600			3/4"	45.0	44.0			45.0	44.0	-	-				
A1D1600.25.25.XX						1"	40.0	39.0			-	-	40.0	39.0				



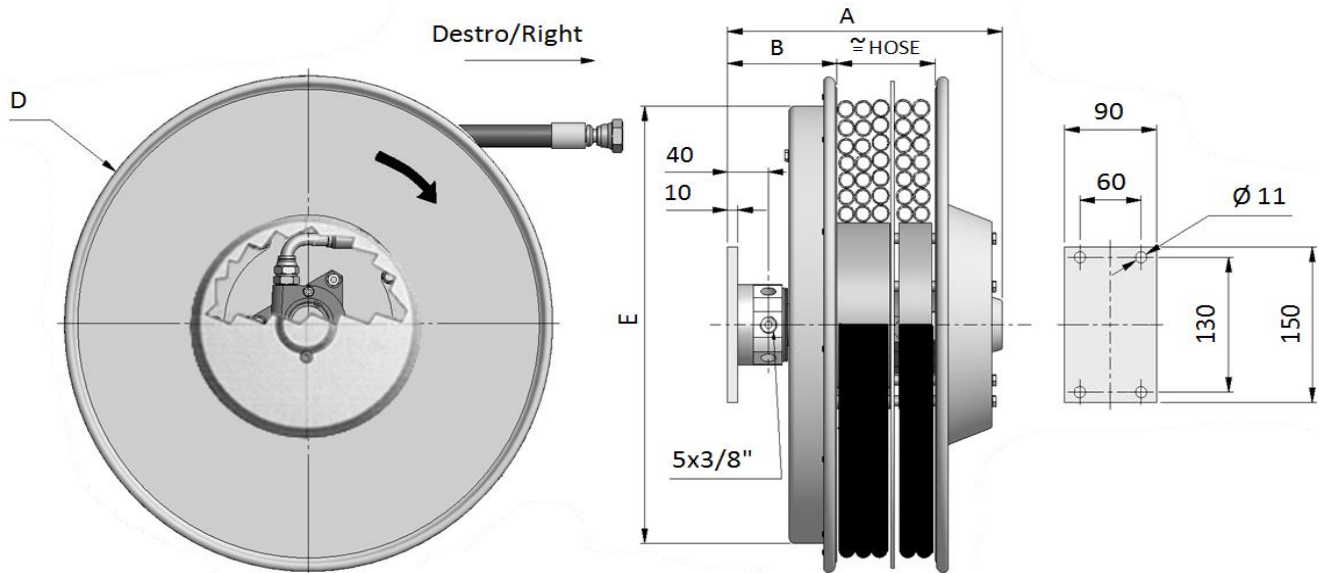
**AVVOLGITUBO GEMELLATO A 5 VIE IDRAULICHE**  
**ENROULEUR HYDRAULIQUE À 5 TUYAUX**
**5 PORT HOSE REEL**  
**5-FACH-SCHLAUCHROLLE**
**A5**

Max flow rate: 40 l/min  
 Working pressure: standard 300 bar  
 optional 400 bar  
 Max hose speed: 30 m/min  
 Temperature range: -20/+80°C  
 Optional temperature range: -40/+80 °C



A5D400=modello destro/right model  
 A5S400=modello sinistro/left model

**Corsa verticale verso il basso opzionale = CODICE /VD**  
**Vertical downwards is optional = CODE /VD**



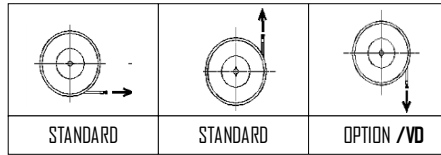
Disegno tecnico disponibile a richiesta  
 Technical drawing available on request



Modello destro Right model	A	B	D	E	Senza tubo Without hose	Con tubo - with hose						
						Ø	Lungh.totale	Lung.utile	R7	B1	T2	B3
							Total length	Usable length	XX=R7	XX=B1	XX=T2	XX=B3
						m						
A5D296.06.XX						1/4"	3.0	2.7				
A5D296.08.XX	277	107	295	272		5/16"	2.3	2.0				
A5D296.10.XX						3/8"	2.3	2.0				
A5D296.12.XX						1/2"	1.5	1.2				
A5D321.06.XX						1/4"	4.0	3.7				
A5D321.08.XX	277	107	325	272		5/16"	3.2	2.9				
A5D321.10.XX						3/8"	3.3	3.0				
A5D321.12.XX						1/2"	2.7	2.4				
A5D341.06.XX						1/4"	5.0	4.7				
A5D341.08.XX	277	107	340	272		5/16"	4.2	3.9				
A5D341.10.XX						3/8"	4.0	3.7				
A5D341.12.XX						1/2"	2.7	2.4				
A5D370.06.XX						1/4"	6.0	5.7				
A5D370.08.XX	277	107	370	322		5/16"	5.3	5.0				
A5D370.10.XX						3/8"	4.5	4.2				
A5D370.12.XX						1/2"	3.5	3.2				
A5D400.06.XX						1/4"	7.3	7.0				
A5D400.08.XX	277	107	400	322		5/16"	6.5	6.2				
A5D400.10.XX						3/8"	5.6	5.3				
A5D400.12.XX						1/2"	4.5	4.2				
A5D420.06.XX						1/4"	8.6	8.1				
A5D420.08.XX	277	107	420	322		5/16"	8.0	7.5				
A5D420.10.XX						3/8"	6.7	6.2				
A5D420.12.XX						1/2"	4.7	4.2				

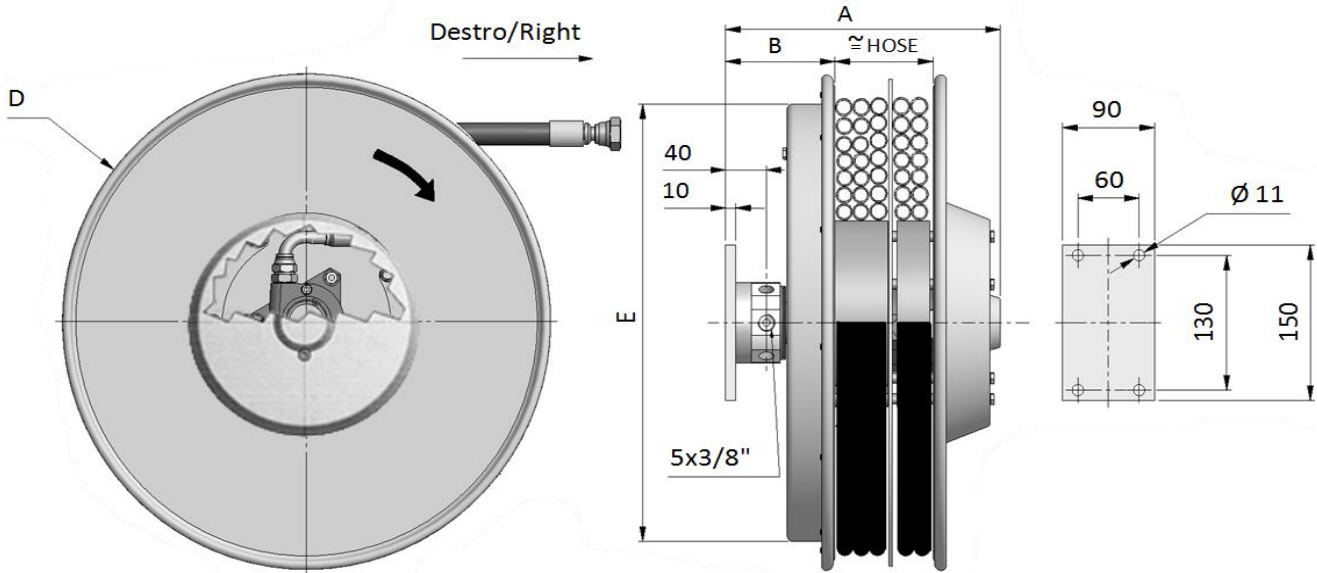
**AVVOLGITUBO GEMELLATO A 5 VIE IDRAULICHE**  
**ENROULEUR HYDRAULIQUE À 5 TUYAUX**
**5 PORT HOSE REEL**  
**5-FACH-SCHLAUCHROLLE**
**A5**

Max flow rate: 40 l/min  
 Working pressure: standard 300 bar  
 optional 400 bar  
 Max hose speed: 30 m/min  
 Temperature range: -20/+80°C  
 Optional temperature range: -40/+80 °C

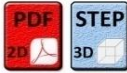


A5D400=modello destro/right model  
 A5S400=modello sinistro/left model

**Corsa verticale verso il basso opzionale = CODICE /VD**  
**Vertical downwards is optional = CODE /VD**



Disegno tecnico disponibile a richiesta  
 Technical drawing available on request



Modello destro Right model	A	B	D	E	Senza tubo Without hose	Con tubo - with hose						
						Ø	Lungh.totale	Lung.utile	R7	B1	T2	B3
							Total length	Usable length	XX=R7	XX=B1	XX=T2	XX=B3
						m						
A5D470.06.XX						1/4"	11.5	11.0				
A5D470.08.XX	277	107	478	422		5/16"	10.0	9.5				
A5D470.10.XX						3/8"	9.5	9.0				
A5D470.12.XX						1/2"	7.5	7.0				
A5D520.06.XX						1/4"	14.5	14.0				
A5D 520.08.XX	277	107	520	422		5/16"	12.5	12.0				
A5D520.10.XX						3/8"	11.2	10.7				
A5D520.12.XX						1/2"	9.0	8.5				
A5D570.06.XX						1/4"	17.5	17.0				
A5D570.08.XX	277	107	570	422		5/16"	15.5	15.0				
A5D570.10.XX						3/8"	13.5	13.0				
A5D570.12.XX						1/2"	10.7	10.2				
A5D600.06.XX						1/4"	21.0	20.5				
A5D600.08.XX	277	107	620	532		5/16"	17.0	16.5				
A5D600.10.XX						3/8"	16.0	15.5				
A5D600.12.XX						1/2"	12.5	12.0				
A5D650.06.XX						1/4"	22.5	22.0				
A5D650.08.XX	277	107	650	532		5/16"	19.5	19.0				
A5D650.10.XX						3/8"	17.5	17.0				
A5D650.12.XX						1/2"	14.5	14.0				
A5D700.06.XX						1/4"	27.0	26.5				
A5D700.08.XX	277	107	720	532		5/16"	22.0	21.5				
A5D700.10.XX						3/8"	20.0	19.5				
A5D702.12.XX						1/2"	18.5	18.0				

**AVVOLGITUBO GEMELLATO A 6 VIE IDRAULICHE**

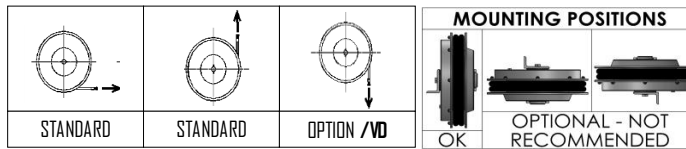
**6 PORT HOSE REEL**

**ENROULEUR HYDRAULIQUE À 6 TUYAUX**

**6-FACH-SCHLAUCHROLLE**

**A6**

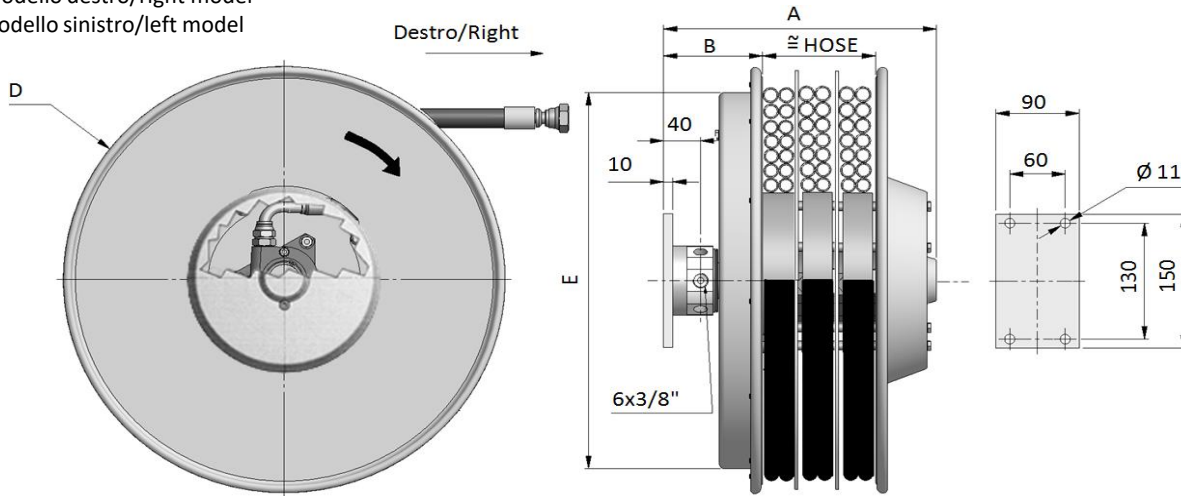
Max flow rate: 40 l/min  
 Working pressure: standard 300 bar  
 optional 400 bar  
 Max hose speed: 30 m/min  
 Temperature range: -20/+80°C  
 Optional temperature range: -40/+80 °C





**Corsa verticale verso il basso opzionale = CODICE/VD**  
**Vertical downwards is optional = CODE/VD**



A6D400=modello destro/right model  
 A6S400=modello sinistro/left model



Disegno tecnico disponibile a richiesta    
 Technical drawing available on request

Modello destro Right model	A	B	D	E	Senza tubo Without hose		Con tubo - with hose							
					kg	Ø	Lungh.totale	Lungh.utile	R7	R8	B1	T2	B2	
							Total length	Usable length	XX=R7	XX=R8	XX=B1	XX=T2	XX=B2	
mm		m												
A6D295.06.XX						1/4"	3.0	2.7						
A6D295.08.XX	285	107	295	290		5/16"	2.3	2.0						
A6D295.10.XX						3/8"	2.3	2.0						
A6D320.06.XX						1/4"	4.0	3.7						
A6D320.08.XX	285	107	325	272		5/16"	3.2	2.9						
A6D320.10.XX						3/8"	3.3	3.0						
A6D340.06.XX						1/4"	5.0	4.7						
A6D340.08.XX	285	107	340	272		5/16"	4.2	3.9						
A6D340.10.XX						3/8"	4.0	3.7						
A6D370.06.XX						1/4"	6.0	5.7						
A6D370.08.XX	285	107	370	322		5/16"	5.3	5.0						
A6D370.10.XX						3/8"	4.5	4.2						
A6D400.06.XX						1/4"	7.3	7.0						
A6D400.08.XX	285	107	400	322		5/16"	6.5	6.2						
A6D400.10.XX						3/8"	5.6	5.3						
A6D420.06.XX						1/4"	8.6	8.1						
A6D420.08.XX	285	107	420	322		5/16"	8.0	7.5						
A6D420.10.XX						3/8"	6.7	6.2						
A6D470.06.XX						1/4"	11.5	11.0						
A6D470.08.XX	285	107	478	422		5/16"	10.0	9.5						
A6D470.10.XX						3/8"	9.5	9.0						
A6D520.06.XX						1/4"	14.5	14.0						
A6D520.08.XX	285	107	520	422		5/16"	12.5	12.0						
A6D520.10.XX						3/8"	11.2	10.7						
A6D570.06.XX						1/4"	17.5	17.0						
A6D570.08.XX	285	107	570	422		5/16"	15.5	15.0						
A6D570.10.XX						3/8"	13.5	13.0						
A6D600.06.XX						1/4"	21.0	20.5						
A6D600.08.XX	285	107	620	532		5/16"	17.0	16.5						
A6D600.10.XX						3/8"	16.0	15.5						
A6D650.06.XX						1/4"	22.5	22.0						
A6D650.08.XX	285	107	650	532		5/16"	19.5	19.0						
A6D650.10.XX						3/8"	17.5	17.0						
A6D700.06.XX						1/4"	27.0	26.5						
A6D700.08.XX	285	107	720	532		5/16"	22.0	21.5						
A6D700.10.XX						3/8"	20.0	19.5						

**AVVOLGITUBO "LS", A 2 VIE IDRAULICHE CON BLOCCO DEL TUBO**  
**ENROULEUR "LS" À 2 TUYAUX AVEC ARRÊT DE TUYAU**



**"LS" 2 PORT HOSE REEL WITH HOSE LOCK SYSTEM**  
**DOPPELSCHLAUCHROLLE "LS" MIT SCHLAUCHARRETIERUNG**

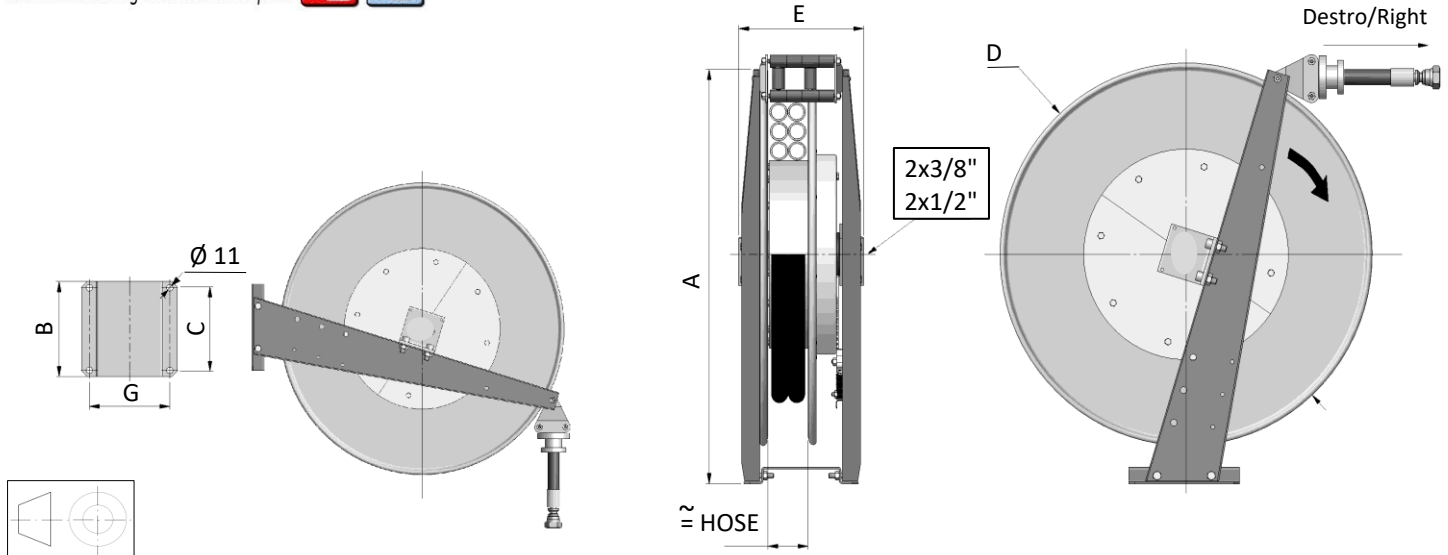
**LS**

Max flow rate: 40 l/min  
 Max working pressure: 700 bar  
 Max hose speed: 30 m/min  
 Temperature range: -20/+80°C

AGD400=modello destro/right model - AGS400=modello sinistro/left model



Disegno tecnico disponibile a richiesta    
 Technical drawing available on request



MODELLO MODEL	PRESSIONE WORK.PRESS. MAX bar	A	B	C	D	E	G	Senza tubo Without hose		Tubo /Hose			Con tubo With hose
								kg		type	Ø	m	
								mm					
AGD400.06 LS/300	300	670	200	160	400	200	160	24		B1	1/4"	7.3	
AGD400.08 LS/300											5/16"	6.5	
AGD400.10 LS/300											3/8"	5.6	
AGD470.06 LS/300	300	670	200	160	470	200	160	26		B1	1/4"	11.5	
AGD470.08 LS/300											5/16"	10.5	
AGD470.10 LS/300											3/8"	10.0	
AGD520.06 LS/300	300	670	200	160	520	200	160	27		B1	1/4"	14.5	
AGD520.08 LS/300											5/16"	13.5	
AGD520.10 LS/300											3/8"	12.5	
AGD600.06 LS/300	300	670	200	160	620	200	160	32		B1	1/4"	21.0	
AGD600.08 LS/300											5/16"	17.0	
AGD600.10 LS/300								3/8"			16.0		
AGD600.12 LS/300								1/2"			12.0		
AGD700.06 LS/300	300	780	290	260	720	237	192	39		B1	1/4"	23.0	
AGD700.08 LS/300											5/16"	21.0	
AGD700.10 LS/300								3/8"			21.0		
AGD700.12 LS/300								1/2"			15.0		
AGD800.06 LS/300	300	890	290	260	820	237	192	49		B1	1/4"	28.0	
AGD800.08 LS/300											5/16"	26.0	
AGD800.10 LS/300								3/8"			25.0		
AGD800.12 LS/300								1/2"			21.0		
AGD900.12 LS/300	300	990	290	260	920	237	192	65		B1	1/2"	28.0	
AGD470.06 LS/700	700	670	200	160	470	200	160	26		Z3	1/4"	9.0	
AGD520.06 LS/700												12.5	
AGD600.06 LS/700												17.5	
AGD700.06 LS/700												25.0	
AGD800.06 LS/700												28.0	
AGD703.10 LS/700	700	780	200	160	720	200	160	40		VHP	3/8"	15.0	

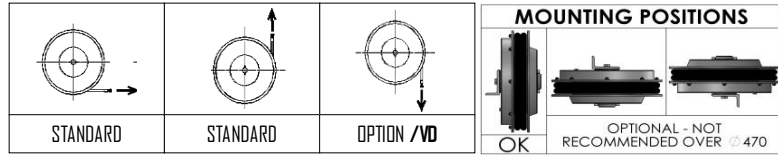


**AWOLGITUBO ELETTRICO-IDRAULICO (2 VIE + CAVO)**  
**ENROULEUR ELECTRO-HYDRAULIQUE (2 TUYAUX + CABLE)**

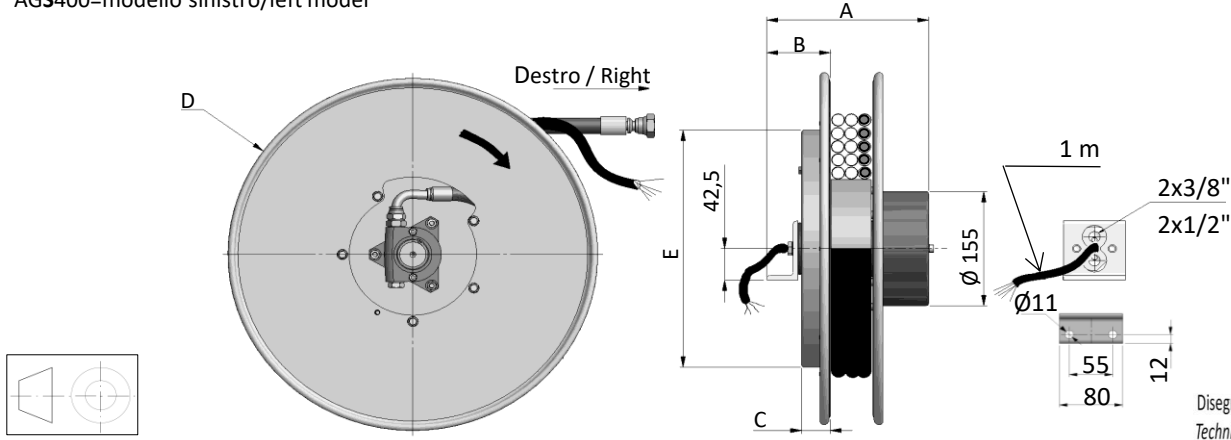
**CABLE HOSE REEL (2 PORTS + CABLE)**  
**SCHLAUCH-KABELROLLE (2 SCHLÄUCHE + KABEL)**

**AG/E**

Max flow rate: 30 l/min  
 Working pressure: standard 300 bar  
 optional 400 bar  
 Max hose speed: 30 m/min  
 Temperature range: -20/+80°C  
 Max. Voltage: 50 V; max. current: 5 A  
 Option for mA and BUS on request  
 AGD400=modello destro/right model  
 AGS400=modello sinistro/left model



**Corsa verticale verso il basso opzionale = CODICE/VD**  
**Vertical downwards is optional = CODE/VD**



Disegno tecnico disponibile a richiesta   
 Technical drawing available on request

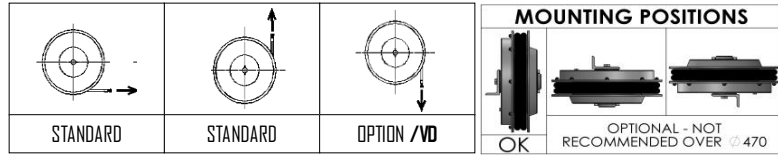
Modello destro Right model	A	B	C	D	E	Senza tubo		CON TUBO (Lunghezza totale; utile = -0,5 m) - WITH HOSE (Total length; usable = - 0.5 m)								
						Without hose		1/4" R7 (Y=06 - X=R7)		5/16" R7 (Y=08 - X=R7)		3/8" R7 (Y=10 - X=R7)		3/8" R8 (Y=10 - X=R8)		
						kg		Cable	m	Cable	m	Cable	m	Cable	m	
AGD230.Y.X/E2	205							2x1 <sup>□</sup>		2x1.5 <sup>□</sup>		2x1.5 <sup>□</sup>		2x1.5 <sup>□</sup>		
AGD230.Y.X/E3	217							3x1 <sup>□</sup>		3x1.5 <sup>□</sup>		3x1.5 <sup>□</sup>		3x1.5 <sup>□</sup>		
AGD230.Y.X/E4	225							4x1 <sup>□</sup>		4x1.5 <sup>□</sup>		4x1.5 <sup>□</sup>		4x1.5 <sup>□</sup>		
AGD230.Y.X/E5	235	75	30	235	228			5x1 <sup>□</sup>	2.2	5x1.5 <sup>□</sup>	2.0	5x1.5 <sup>□</sup>	2.0	5x1.5 <sup>□</sup>	2.0	
AGD230.Y.X/E6	245							6x1 <sup>□</sup>		6x1.5 <sup>□</sup>		6x1.5 <sup>□</sup>		6x1.5 <sup>□</sup>		
AGD230.Y.X/E8	245							8x1 <sup>□</sup>		8x1.5 <sup>□</sup>		8x1.5 <sup>□</sup>		8x1.5 <sup>□</sup>		
AGD230.Y.X/E12	280							12x1 <sup>□</sup>		12x1.5 <sup>□</sup>		12x1.5 <sup>□</sup>		12x1.5 <sup>□</sup>		
AGD270.Y.X/E2	205							2x1 <sup>□</sup>		2x1.5 <sup>□</sup>		2x1.5 <sup>□</sup>		2x1.5 <sup>□</sup>		
AGD270.Y.X/E3	217							3x1 <sup>□</sup>		3x1.5 <sup>□</sup>		3x1.5 <sup>□</sup>		3x1.5 <sup>□</sup>		
AGD270.Y.X/E4	225							4x1 <sup>□</sup>		4x1.5 <sup>□</sup>		4x1.5 <sup>□</sup>		4x1.5 <sup>□</sup>		
AGD270.Y.X/E5	235	75	30	275	272			5x1 <sup>□</sup>	4.0	5x1.5 <sup>□</sup>	3.2	5x1.5 <sup>□</sup>	2.8	5x1.5 <sup>□</sup>	2.8	
AGD270.Y.X/E6	245							6x1 <sup>□</sup>		6x1.5 <sup>□</sup>		6x1.5 <sup>□</sup>		6x1.5 <sup>□</sup>		
AGD270.Y.X/E8	245							8x1 <sup>□</sup>		8x1.5 <sup>□</sup>		8x1.5 <sup>□</sup>		8x1.5 <sup>□</sup>		
AGD270.Y.X/E12	280							12x1 <sup>□</sup>		12x1.5 <sup>□</sup>		12x1.5 <sup>□</sup>		12x1.5 <sup>□</sup>		
AGD295.Y.X/E2	205							2x1 <sup>□</sup>		2x1.5 <sup>□</sup>		2x1.5 <sup>□</sup>		2x1.5 <sup>□</sup>		
AGD295.Y.X/E3	217							3x1 <sup>□</sup>		3x1.5 <sup>□</sup>		3x1.5 <sup>□</sup>		3x1.5 <sup>□</sup>		
AGD295.Y.X/E4	225							4x1 <sup>□</sup>		4x1.5 <sup>□</sup>		4x1.5 <sup>□</sup>		4x1.5 <sup>□</sup>		
AGD295.Y.X/E5	235	75	35	295	291			5x1 <sup>□</sup>	4.7	5x1.5 <sup>□</sup>	4.2	5x1.5 <sup>□</sup>	3.6	5x1.5 <sup>□</sup>	3.6	
AGD295.Y.X/E6	245							6x1 <sup>□</sup>		6x1.5 <sup>□</sup>		6x1.5 <sup>□</sup>		6x1.5 <sup>□</sup>		
AGD295.Y.X/E8	245							8x1 <sup>□</sup>		8x1.5 <sup>□</sup>		8x1.5 <sup>□</sup>		8x1.5 <sup>□</sup>		
AGD295.Y.X/E12	280							-		12x1.5 <sup>□</sup>		12x1.5 <sup>□</sup>		12x1.5 <sup>□</sup>		
AGD320.Y.X/E2	205							2x1 <sup>□</sup>		2x1.5 <sup>□</sup>		2x1.5 <sup>□</sup>		2x1.5 <sup>□</sup>		
AGD320.Y.X/E3	217							3x1 <sup>□</sup>		3x1.5 <sup>□</sup>		3x1.5 <sup>□</sup>		3x1.5 <sup>□</sup>		
AGD320.Y.X/E4	225							4x1 <sup>□</sup>		4x1.5 <sup>□</sup>		4x1.5 <sup>□</sup>		4x1.5 <sup>□</sup>		
AGD320.Y.X/E5	235	82	37	325	272			5x1 <sup>□</sup>	5.5	5x1.5 <sup>□</sup>	5.0	5x1.5 <sup>□</sup>	4.5	5x1.5 <sup>□</sup>	4.5	
AGD320.Y.X/E6	245							6x1 <sup>□</sup>		6x1.5 <sup>□</sup>		6x1.5 <sup>□</sup>		6x1.5 <sup>□</sup>		
AGD320.Y.X/E8	245							8x1 <sup>□</sup>		8x1.5 <sup>□</sup>		8x1.5 <sup>□</sup>		8x1.5 <sup>□</sup>		
AGD320.Y.X/E12	280							-		12x1.5 <sup>□</sup>		12x1.5 <sup>□</sup>		12x1.5 <sup>□</sup>		
AGD340.Y.X/E2	205							2x1 <sup>□</sup>		2x1.5 <sup>□</sup>		2x1.5 <sup>□</sup>		2x1.5 <sup>□</sup>		
AGD340.Y.X/E3	217							3x1 <sup>□</sup>		3x1.5 <sup>□</sup>		3x1.5 <sup>□</sup>		3x1.5 <sup>□</sup>		
AGD340.Y.X/E4	225							4x1 <sup>□</sup>		4x1.5 <sup>□</sup>		4x1.5 <sup>□</sup>		4x1.5 <sup>□</sup>		
AGD340.Y.X/E5	235	82	37	340	272			5x1 <sup>□</sup>	6.0	5x1.5 <sup>□</sup>	5.3	5x1.5 <sup>□</sup>	4.6	5x1.5 <sup>□</sup>	4.6	
AGD340.Y.X/E6	245							6x1 <sup>□</sup>		6x1.5 <sup>□</sup>		6x1.5 <sup>□</sup>		6x1.5 <sup>□</sup>		
AGD340.Y.X/E8	245							8x1 <sup>□</sup>		8x1.5 <sup>□</sup>		8x1.5 <sup>□</sup>		8x1.5 <sup>□</sup>		
AGD340.Y.X/E12	280							-		12x1.5 <sup>□</sup>		12x1.5 <sup>□</sup>		12x1.5 <sup>□</sup>		
AGD370.Y.X/E2	205							2x1 <sup>□</sup>		2x1.5 <sup>□</sup>		2x1.5 <sup>□</sup>		2x1.5 <sup>□</sup>		
AGD370.Y.X/E3	217							3x1 <sup>□</sup>		3x1.5 <sup>□</sup>		3x1.5 <sup>□</sup>		3x1.5 <sup>□</sup>		
AGD370.Y.X/E4	225							4x1 <sup>□</sup>		4x1.5 <sup>□</sup>		4x1.5 <sup>□</sup>		4x1.5 <sup>□</sup>		
AGD370.Y.X/E5	235	82	37	370	272			5x1 <sup>□</sup>	6.0	5x1.5 <sup>□</sup>	5.3	5x1.5 <sup>□</sup>	4.6	5x1.5 <sup>□</sup>	4.6	
AGD370.Y.X/E6	245							6x1 <sup>□</sup>		6x1.5 <sup>□</sup>		6x1.5 <sup>□</sup>		6x1.5 <sup>□</sup>		
AGD370.Y.X/E8	245							8x1 <sup>□</sup>		8x1.5 <sup>□</sup>		8x1.5 <sup>□</sup>		8x1.5 <sup>□</sup>		
AGD370.Y.X/E12	280							-		12x1.5 <sup>□</sup>		12x1.5 <sup>□</sup>		12x1.5 <sup>□</sup>		
AGD400.Y.X/E2	205							2x1 <sup>□</sup>		2x1.5 <sup>□</sup>		2x1.5 <sup>□</sup>		2x1.5 <sup>□</sup>		
AGD400.Y.X/E3	217							3x1 <sup>□</sup>		3x1.5 <sup>□</sup>		3x1.5 <sup>□</sup>		3x1.5 <sup>□</sup>		
AGD400.Y.X/E4	225							4x1 <sup>□</sup>		4x1.5 <sup>□</sup>		4x1.5 <sup>□</sup>		4x1.5 <sup>□</sup>		
AGD400.Y.X/E5	235	82	37	400	322			5x1 <sup>□</sup>	7.3	5x1.5 <sup>□</sup>	6.5	5x1.5 <sup>□</sup>	5.6	5x1.5 <sup>□</sup>	5.6	
AGD400.Y.X/E6	245							6x1 <sup>□</sup>		6x1.5 <sup>□</sup>		6x1.5 <sup>□</sup>		6x1.5 <sup>□</sup>		
AGD400.Y.X/E8	245							8x1 <sup>□</sup>		8x1.5 <sup>□</sup>		8x1.5 <sup>□</sup>		8x1.5 <sup>□</sup>		
AGD400.Y.X/E12	280							-		12x1.5 <sup>□</sup>		12x1.5 <sup>□</sup>		12x1.5 <sup>□</sup>		

**AWOLGITUBO ELETTRICO-IDRAULICO (2 VIE + CAVO)**  
**ENROULEUR ELECTRO-HYDRAULIQUE (2 TUYAUX + CABLE)**

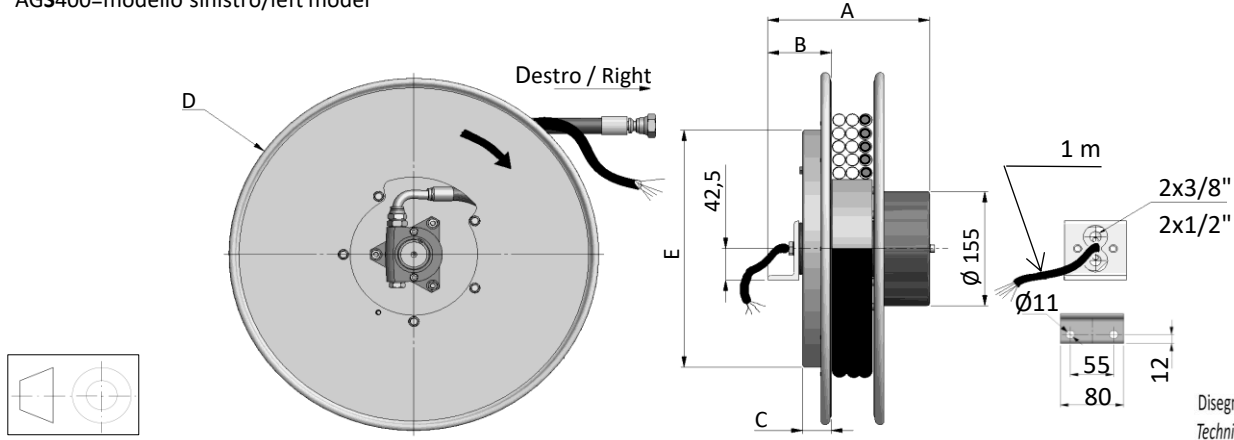
**CABLE HOSE REEL (2 PORTS + CABLE)**  
**SCHLAUCH-KABELROLLE (2 SCHLÄUCHE + KABEL)**

**AG/E**

Max flow rate: 30 l/min  
 Working pressure: standard 300 bar  
 optional 400 bar  
 Max hose speed: 30 m/min  
 Temperature range: -20/+80°C  
 Max. Voltage: 50 V; max. current: 5 A  
 Option for mA and BUS on request  
 AGD400=modello destro/right model  
 AGS400=modello sinistro/left model



**Corsa verticale verso il basso opzionale = CODICE/VD**  
**Vertical downwards is optional = CODE/VD**



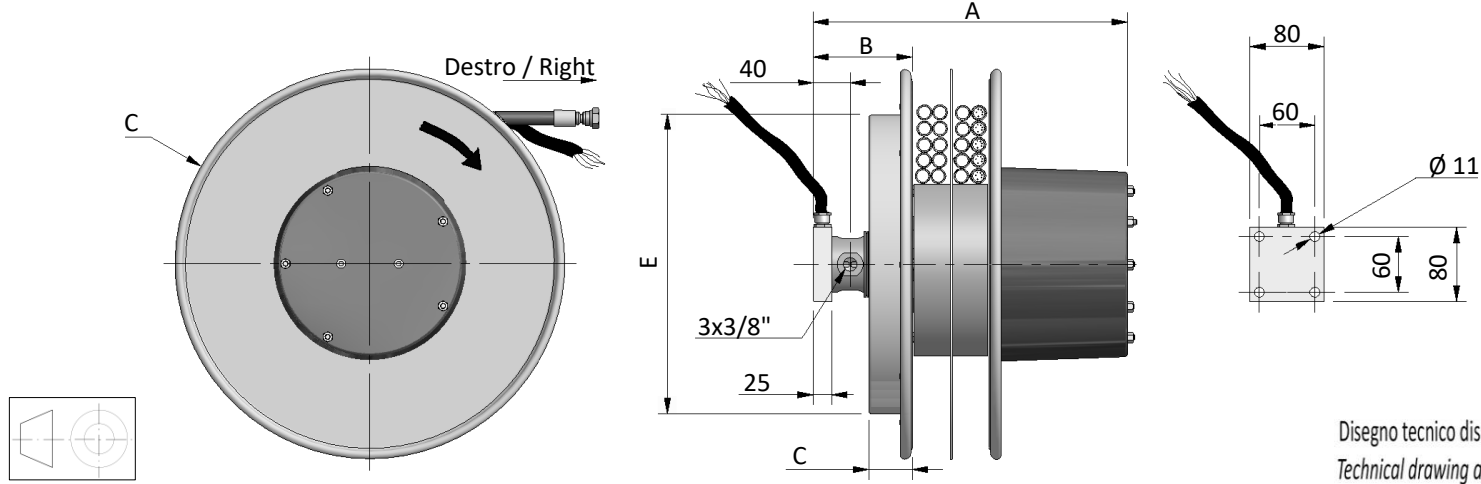
Disegno tecnico disponibile a richiesta   
 Technical drawing available on request

Modello destro Right model	A	B	C	D	E	Senza tubo		CON TUBO (Lunghezza totale; utile = -0,5 m) - WITH HOSE (Total length; usable = - 0.5 m)							
						Without hose		1/4" R7 (Y=06 - X=R7)		5/16" R7 (Y=08 - X=R7)		3/8" R7 (Y=10 - X=R7)		3/8" R8 (Y=10 - X=R8)	
						kg	Cable	m	Cable	m	Cable	m	Cable	m	
AGD420.Y.X/E2	205						2x1 <sup>□</sup>		2x1.5 <sup>□</sup>		2x1.5 <sup>□</sup>		2x1.5 <sup>□</sup>		
AGD420.Y.X/E3	217						3x1 <sup>□</sup>		3x1.5 <sup>□</sup>		3x1.5 <sup>□</sup>		3x1.5 <sup>□</sup>		
AGD420.Y.X/E4	225						4x1 <sup>□</sup>		4x1.5 <sup>□</sup>		4x1.5 <sup>□</sup>		4x1.5 <sup>□</sup>		
AGD420.Y.X/E5	235	82	37	420	322		5x1 <sup>□</sup>	8.6	5x1.5 <sup>□</sup>	8.0	5x1.5 <sup>□</sup>	6.7	5x1.5 <sup>□</sup>	6.7	
AGD420.Y.X/E6	245						6x1 <sup>□</sup>		6x1.5 <sup>□</sup>		6x1.5 <sup>□</sup>		6x1.5 <sup>□</sup>		
AGD420.Y.X/E8	245						8x1 <sup>□</sup>		8x1.5 <sup>□</sup>		8x1.5 <sup>□</sup>		8x1.5 <sup>□</sup>		
AGD420.Y.X/E12	280						-		12x1.5 <sup>□</sup>		12x1.5 <sup>□</sup>		12x1.5 <sup>□</sup>		
AGD470.Y.X/E2	205						2x1 <sup>□</sup>		2x1.5 <sup>□</sup>		2x1.5 <sup>□</sup>		2x1.5 <sup>□</sup>		
AGD470.Y.X/E3	217						3x1 <sup>□</sup>		3x1.5 <sup>□</sup>		3x1.5 <sup>□</sup>		3x1.5 <sup>□</sup>		
AGD470.Y.X/E4	225						4x1 <sup>□</sup>		4x1.5 <sup>□</sup>		4x1.5 <sup>□</sup>		4x1.5 <sup>□</sup>		
AGD470.Y.X/E5	235	82	37	478	322		5x1 <sup>□</sup>	11.5	5x1.5 <sup>□</sup>	10.0	5x1.5 <sup>□</sup>	9.5	5x1.5 <sup>□</sup>	9.5	
AGD470.Y.X/E6	245						6x1 <sup>□</sup>		6x1.5 <sup>□</sup>		6x1.5 <sup>□</sup>		6x1.5 <sup>□</sup>		
AGD470.Y.X/E8	245						8x1 <sup>□</sup>		8x1.5 <sup>□</sup>		8x1.5 <sup>□</sup>		8x1.5 <sup>□</sup>		
AGD470.Y.X/E12	280						-		12x1.5 <sup>□</sup>		12x1.5 <sup>□</sup>		12x1.5 <sup>□</sup>		
AGD520.Y.X/E2	205						2x1 <sup>□</sup>		2x1.5 <sup>□</sup>		2x1.5 <sup>□</sup>		2x1.5 <sup>□</sup>		
AGD520.Y.X/E3	217						3x1 <sup>□</sup>		3x1.5 <sup>□</sup>		3x1.5 <sup>□</sup>		3x1.5 <sup>□</sup>		
AGD520.Y.X/E4	225						4x1 <sup>□</sup>		4x1.5 <sup>□</sup>		4x1.5 <sup>□</sup>		4x1.5 <sup>□</sup>		
AGD520.Y.X/E5	235	82	37	520	422		5x1 <sup>□</sup>	14.5	5x1.5 <sup>□</sup>	12.5	5x1.5 <sup>□</sup>	11.2	5x1.5 <sup>□</sup>	11.2	
AGD520.Y.X/E6	245						6x1 <sup>□</sup>		6x1.5 <sup>□</sup>		6x1.5 <sup>□</sup>		6x1.5 <sup>□</sup>		
AGD520.Y.X/E8	245						8x1 <sup>□</sup>		8x1.5 <sup>□</sup>		8x1.5 <sup>□</sup>		8x1.5 <sup>□</sup>		
AGD520.Y.X/E12	280						-		12x1.5 <sup>□</sup>		12x1.5 <sup>□</sup>		12x1.5 <sup>□</sup>		
AGD570.Y.X/E2	205						2x1 <sup>□</sup>		2x1.5 <sup>□</sup>		2x1.5 <sup>□</sup>		2x1.5 <sup>□</sup>		
AGD570.Y.X/E3	217						3x1 <sup>□</sup>		3x1.5 <sup>□</sup>		3x1.5 <sup>□</sup>		3x1.5 <sup>□</sup>		
AGD570.Y.X/E4	225						4x1 <sup>□</sup>		4x1.5 <sup>□</sup>		4x1.5 <sup>□</sup>		4x1.5 <sup>□</sup>		
AGD570.Y.X/E5	235	92	47	570	422		5x1 <sup>□</sup>	17.5	5x1.5 <sup>□</sup>	15.5	5x1.5 <sup>□</sup>	13.5	5x1.5 <sup>□</sup>	13.5	
AGD570.Y.X/E6	245						6x1 <sup>□</sup>		6x1.5 <sup>□</sup>		6x1.5 <sup>□</sup>		6x1.5 <sup>□</sup>		
AGD570.Y.X/E8	245						8x1 <sup>□</sup>		8x1.5 <sup>□</sup>		8x1.5 <sup>□</sup>		8x1.5 <sup>□</sup>		
AGD570.Y.X/E12	280						-		12x1.5 <sup>□</sup>		12x1.5 <sup>□</sup>		12x1.5 <sup>□</sup>		
AGD600.Y.X/E2	205						2x1 <sup>□</sup>		2x1.5 <sup>□</sup>		2x1.5 <sup>□</sup>		2x1.5 <sup>□</sup>		
AGD600.Y.X/E3	217						3x1 <sup>□</sup>		3x1.5 <sup>□</sup>		3x1.5 <sup>□</sup>		3x1.5 <sup>□</sup>		
AGD600.Y.X/E4	225						4x1 <sup>□</sup>		4x1.5 <sup>□</sup>		4x1.5 <sup>□</sup>		4x1.5 <sup>□</sup>		
AGD600.Y.X/E5	235	92	47	620	422		5x1 <sup>□</sup>	21.0	5x1.5 <sup>□</sup>	17.0	5x1.5 <sup>□</sup>	16.0	5x1.5 <sup>□</sup>	16.0	
AGD600.Y.X/E6	245						6x1 <sup>□</sup>		6x1.5 <sup>□</sup>		6x1.5 <sup>□</sup>		6x1.5 <sup>□</sup>		
AGD600.Y.X/E8	245						8x1 <sup>□</sup>		8x1.5 <sup>□</sup>		8x1.5 <sup>□</sup>		8x1.5 <sup>□</sup>		
AGD600.Y.X/E12	280						-		12x1.5 <sup>□</sup>		12x1.5 <sup>□</sup>		12x1.5 <sup>□</sup>		
AGD650.Y.X/E2	205						2x1 <sup>□</sup>		2x1.5 <sup>□</sup>		2x1.5 <sup>□</sup>		2x1.5 <sup>□</sup>		
AGD650.Y.X/E3	217						3x1 <sup>□</sup>		3x1.5 <sup>□</sup>		3x1.5 <sup>□</sup>		3x1.5 <sup>□</sup>		
AGD650.Y.X/E4	225						4x1 <sup>□</sup>		4x1.5 <sup>□</sup>		4x1.5 <sup>□</sup>		4x1.5 <sup>□</sup>		
AGD650.Y.X/E5	235	92	47	650	422		5x1 <sup>□</sup>	22.5	5x1.5 <sup>□</sup>	19.5	5x1.5 <sup>□</sup>	17.5	5x1.5 <sup>□</sup>	17.5	
AGD650.Y.X/E6	245						6x1 <sup>□</sup>		6x1.5 <sup>□</sup>		6x1.5 <sup>□</sup>		6x1.5 <sup>□</sup>		
AGD650.Y.X/E8	245						8x1 <sup>□</sup>		8x1.5 <sup>□</sup>		8x1.5 <sup>□</sup>		8x1.5 <sup>□</sup>		
AGD650.Y.X/E12	280						-		12x1.5 <sup>□</sup>		12x1.5 <sup>□</sup>		12x1.5 <sup>□</sup>		
AGD700.Y.X/E2	205						2x1 <sup>□</sup>		2x1.5 <sup>□</sup>		2x1.5 <sup>□</sup>		2x1.5 <sup>□</sup>		
AGD700.Y.X/E3	217						3x1 <sup>□</sup>		3x1.5 <sup>□</sup>		3x1.5 <sup>□</sup>		3x1.5 <sup>□</sup>		
AGD700.Y.X/E4	225						4x1 <sup>□</sup>		4x1.5 <sup>□</sup>		4x1.5 <sup>□</sup>		4x1.5 <sup>□</sup>		
AGD700.Y.X/E5	235	102	57	720	532		5x1 <sup>□</sup>	27.0	5x1.5 <sup>□</sup>	22.0	5x1.5 <sup>□</sup>	20.0	5x1.5 <sup>□</sup>	20.0	
AGD700.Y.X/E6	245						6x1 <sup>□</sup>		6x1.5 <sup>□</sup>		6x1.5 <sup>□</sup>		6x1.5 <sup>□</sup>		
AGD700.Y.X/E8	245						8x1 <sup>□</sup>		8x1.5 <sup>□</sup>		8x1.5 <sup>□</sup>		8x1.5 <sup>□</sup>		
AGD700.Y.X/E12	280						-		12x1.5 <sup>□</sup>		12x1.5 <sup>□</sup>		12x1.5 <sup>□</sup>		

Max flow rate: 40 l/min  
 Working pressure: standard 300 bar  
 optional 400 bar  
 Max hose speed: 30 m/min  
 Temperature range: -20/+80°C  
 Max. Voltage: 50 V; max. current: 5 A  
 Option for mA and BUS on request  
 A3D400=modello destro/right model  
 A3S400=modello sinistro/left model



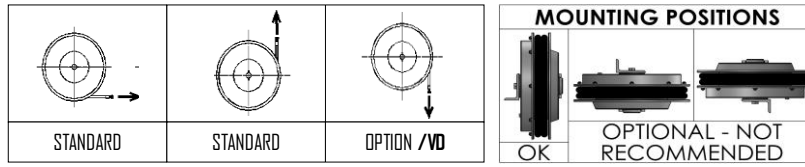
Corsa verticale verso il basso opzionale = CODICE/VD  
 Vertical downwards is optional = CODE/VD



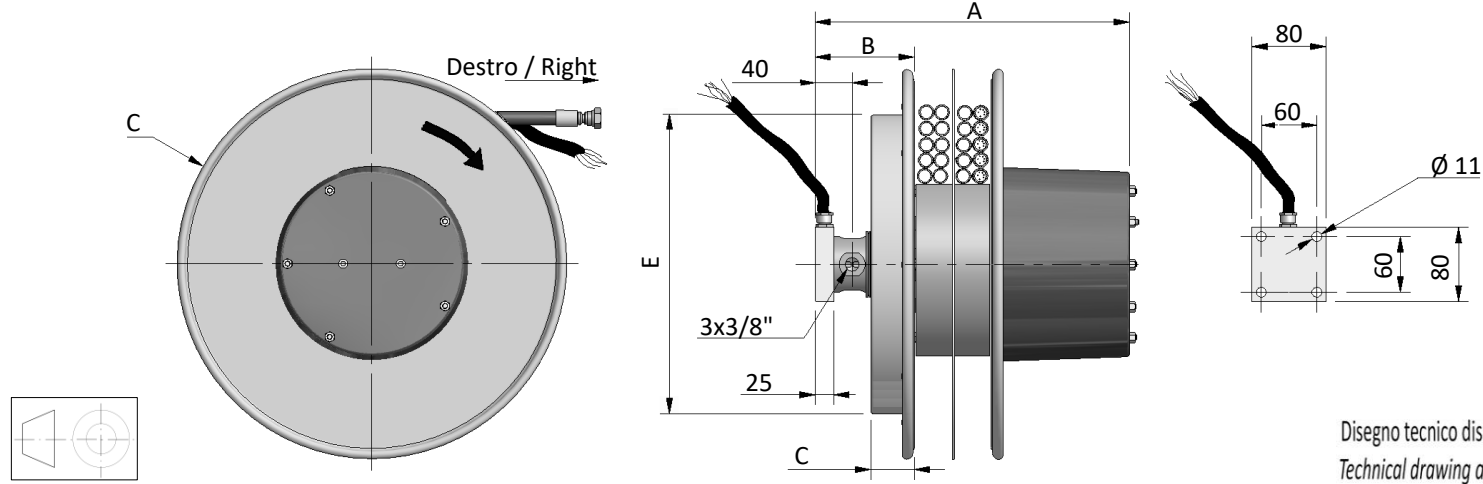
Disegno tecnico disponibile a richiesta PDF STEP  
 Technical drawing available on request

Modello destro Right model	A	B	C	D	E	Senza tubo / CON TUBO (Lunghezza totale -- utile = -0,5 m) - WITH HOSE (Total length -- usable = - 0.5 m)															
						Without hose		1/4" R7 (Y=06 - X=R7)		5/16" R7 (Y=08 - X=R7)		3/8" R7 (Y=10 - X=R7)		3/8" R8 (Y=10 - X=R8)		1/2" B1 (Y=12 - X=B1)					
						kg	Cable	m	Cable	m	Cable	m	Cable	m	Cable	m					
A3D295.Y.X/E2	263						2x1 <sup>□</sup>		2x1 <sup>□</sup>		2x1 <sup>□</sup>		2x1 <sup>□</sup>		2x1 <sup>□</sup>		2x1 <sup>□</sup>		2x1 <sup>□</sup>		2x1 <sup>□</sup>
A3D295.Y.X/E3	275						3x1 <sup>□</sup>		3x1 <sup>□</sup>		3x1 <sup>□</sup>		3x1 <sup>□</sup>		3x1 <sup>□</sup>		3x1 <sup>□</sup>		3x1 <sup>□</sup>		3x1 <sup>□</sup>
A3D295.Y.X/E4	287						4x1 <sup>□</sup>		4x1 <sup>□</sup>		4x1 <sup>□</sup>		4x1 <sup>□</sup>		4x1 <sup>□</sup>		4x1 <sup>□</sup>		4x1 <sup>□</sup>		4x1 <sup>□</sup>
A3D295.Y.X/E5	298	112	35	295	291		5x1 <sup>□</sup>	3.0	5x1 <sup>□</sup>	2.3	5x1 <sup>□</sup>	2.3	5x1 <sup>□</sup>	2.3	5x1 <sup>□</sup>	2.3	5x1 <sup>□</sup>		5x1 <sup>□</sup>	1.5	5x1 <sup>□</sup>
A3D295.Y.X/E6	310						6x0,5 <sup>□</sup>		6x1 <sup>□</sup>		6x1 <sup>□</sup>		6x1 <sup>□</sup>		6x1 <sup>□</sup>		6x1 <sup>□</sup>		6x1 <sup>□</sup>		6x1 <sup>□</sup>
A3D295.Y.X/E8	310						8x0,5 <sup>□</sup>		8x0,5 <sup>□</sup>		8x1 <sup>□</sup>		8x1 <sup>□</sup>		8x1 <sup>□</sup>		8x1 <sup>□</sup>		8x1 <sup>□</sup>		8x1 <sup>□</sup>
A3D295.Y.X/E12	345						-		12x0,5 <sup>□</sup>		12x1 <sup>□</sup>		12x1 <sup>□</sup>		12x1 <sup>□</sup>		12x1 <sup>□</sup>		12x1 <sup>□</sup>		12x1 <sup>□</sup>
A3D320.Y.X/E2	263						2x1 <sup>□</sup>		2x1 <sup>□</sup>		2x1 <sup>□</sup>		2x1 <sup>□</sup>		2x1 <sup>□</sup>		2x1 <sup>□</sup>		2x1 <sup>□</sup>		2x1 <sup>□</sup>
A3D320.Y.X/E3	275						3x1 <sup>□</sup>		3x1 <sup>□</sup>		3x1 <sup>□</sup>		3x1 <sup>□</sup>		3x1 <sup>□</sup>		3x1 <sup>□</sup>		3x1 <sup>□</sup>		3x1 <sup>□</sup>
A3D320.Y.X/E4	287						4x1 <sup>□</sup>		4x1 <sup>□</sup>		4x1 <sup>□</sup>		4x1 <sup>□</sup>		4x1 <sup>□</sup>		4x1 <sup>□</sup>		4x1 <sup>□</sup>		4x1 <sup>□</sup>
A3D320.Y.X/E5	298	112	37	325	272		5x1 <sup>□</sup>	4.0	5x1 <sup>□</sup>	3.2	5x1 <sup>□</sup>	3.3	5x1 <sup>□</sup>	3.3	5x1 <sup>□</sup>	3.3	5x1 <sup>□</sup>		5x1 <sup>□</sup>	2.5	5x1 <sup>□</sup>
A3D320.Y.X/E6	310						6x0,5 <sup>□</sup>		6x1 <sup>□</sup>		6x1 <sup>□</sup>		6x1 <sup>□</sup>		6x1 <sup>□</sup>		6x1 <sup>□</sup>		6x1 <sup>□</sup>		6x1 <sup>□</sup>
A3D320.Y.X/E8	310						8x0,5 <sup>□</sup>		8x0,5 <sup>□</sup>		8x1 <sup>□</sup>		8x1 <sup>□</sup>		8x1 <sup>□</sup>		8x1 <sup>□</sup>		8x1 <sup>□</sup>		8x1 <sup>□</sup>
A3D320.Y.X/E12	345						-		12x0,5 <sup>□</sup>		12x1 <sup>□</sup>		12x1 <sup>□</sup>		12x1 <sup>□</sup>		12x1 <sup>□</sup>		12x1 <sup>□</sup>		12x1 <sup>□</sup>
A3D340.Y.X/E2	263						2x1 <sup>□</sup>		2x1 <sup>□</sup>		2x1 <sup>□</sup>		2x1 <sup>□</sup>		2x1 <sup>□</sup>		2x1 <sup>□</sup>		2x1 <sup>□</sup>		2x1 <sup>□</sup>
A3D340.Y.X/E3	275						3x1 <sup>□</sup>		3x1 <sup>□</sup>		3x1 <sup>□</sup>		3x1 <sup>□</sup>		3x1 <sup>□</sup>		3x1 <sup>□</sup>		3x1 <sup>□</sup>		3x1 <sup>□</sup>
A3D340.Y.X/E4	287						4x1 <sup>□</sup>		4x1 <sup>□</sup>		4x1 <sup>□</sup>		4x1 <sup>□</sup>		4x1 <sup>□</sup>		4x1 <sup>□</sup>		4x1 <sup>□</sup>		4x1 <sup>□</sup>
A3D340.Y.X/E5	298	112	37	340	272		5x1 <sup>□</sup>	5.0	5x1 <sup>□</sup>	4.2	5x1 <sup>□</sup>	4.0	5x1 <sup>□</sup>	4.0	5x1 <sup>□</sup>	4.0	5x1 <sup>□</sup>		5x1 <sup>□</sup>	2.5	5x1 <sup>□</sup>
A3D340.Y.X/E6	310						6x0,5 <sup>□</sup>		6x1 <sup>□</sup>		6x1 <sup>□</sup>		6x1 <sup>□</sup>		6x1 <sup>□</sup>		6x1 <sup>□</sup>		6x1 <sup>□</sup>		6x1 <sup>□</sup>
A3D340.Y.X/E8	310						8x0,5 <sup>□</sup>		8x0,5 <sup>□</sup>		8x1 <sup>□</sup>		8x1 <sup>□</sup>		8x1 <sup>□</sup>		8x1 <sup>□</sup>		8x1 <sup>□</sup>		8x1 <sup>□</sup>
A3D340.Y.X/E12	345						-		12x0,5 <sup>□</sup>		12x1 <sup>□</sup>		12x1 <sup>□</sup>		12x1 <sup>□</sup>		12x1 <sup>□</sup>		12x1 <sup>□</sup>		12x1 <sup>□</sup>
A3D370.Y.X/E2	263						2x1 <sup>□</sup>		2x1 <sup>□</sup>		2x1 <sup>□</sup>		2x1 <sup>□</sup>		2x1 <sup>□</sup>		2x1 <sup>□</sup>		2x1 <sup>□</sup>		2x1 <sup>□</sup>
A3D370.Y.X/E3	275						3x1 <sup>□</sup>		3x1 <sup>□</sup>		3x1 <sup>□</sup>		3x1 <sup>□</sup>		3x1 <sup>□</sup>		3x1 <sup>□</sup>		3x1 <sup>□</sup>		3x1 <sup>□</sup>
A3D370.Y.X/E4	287						4x1 <sup>□</sup>		4x1 <sup>□</sup>		4x1 <sup>□</sup>		4x1 <sup>□</sup>		4x1 <sup>□</sup>		4x1 <sup>□</sup>		4x1 <sup>□</sup>		4x1 <sup>□</sup>
A3D370.Y.X/E5	298	112	37	370	272		5x1 <sup>□</sup>	6.0	5x1 <sup>□</sup>	5.3	5x1 <sup>□</sup>	4.5	5x1 <sup>□</sup>	4.5	5x1 <sup>□</sup>	4.5	5x1 <sup>□</sup>		5x1 <sup>□</sup>	3.5	5x1 <sup>□</sup>
A3D370.Y.X/E6	310						6x0,5 <sup>□</sup>		6x1 <sup>□</sup>		6x1 <sup>□</sup>		6x1 <sup>□</sup>		6x1 <sup>□</sup>		6x1 <sup>□</sup>		6x1 <sup>□</sup>		6x1 <sup>□</sup>
A3D370.Y.X/E8	310						8x0,5 <sup>□</sup>		8x0,5 <sup>□</sup>		8x1 <sup>□</sup>		8x1 <sup>□</sup>		8x1 <sup>□</sup>		8x1 <sup>□</sup>		8x1 <sup>□</sup>		8x1 <sup>□</sup>
A3D370.Y.X/E12	345						-		12x0,5 <sup>□</sup>		12x1 <sup>□</sup>		12x1 <sup>□</sup>		12x1 <sup>□</sup>		12x1 <sup>□</sup>		12x1 <sup>□</sup>		12x1 <sup>□</sup>
A3D400.Y.X/E2	263						2x1 <sup>□</sup>		2x1 <sup>□</sup>		2x1 <sup>□</sup>		2x1 <sup>□</sup>		2x1 <sup>□</sup>		2x1 <sup>□</sup>		2x1 <sup>□</sup>		2x1 <sup>□</sup>
A3D400.Y.X/E3	275						3x1 <sup>□</sup>		3x1 <sup>□</sup>		3x1 <sup>□</sup>		3x1 <sup>□</sup>		3x1 <sup>□</sup>		3x1 <sup>□</sup>		3x1 <sup>□</sup>		3x1 <sup>□</sup>
A3D400.Y.X/E4	287						4x1 <sup>□</sup>		4x1 <sup>□</sup>		4x1 <sup>□</sup>		4x1 <sup>□</sup>		4x1 <sup>□</sup>		4x1 <sup>□</sup>		4x1 <sup>□</sup>		4x1 <sup>□</sup>
A3D400.Y.X/E5	298	112	47	400	322		5x1 <sup>□</sup>	7.3	5x1 <sup>□</sup>	6.5	5x1 <sup>□</sup>	5.6	5x1 <sup>□</sup>	5.6	5x1 <sup>□</sup>	5.6	5x1 <sup>□</sup>		5x1 <sup>□</sup>	4.5	5x1 <sup>□</sup>
A3D400.Y.X/E6	310						6x0,5 <sup>□</sup>		6x1 <sup>□</sup>		6x1 <sup>□</sup>		6x1 <sup>□</sup>		6x1 <sup>□</sup>		6x1 <sup>□</sup>		6x1 <sup>□</sup>		6x1 <sup>□</sup>
A3D400.Y.X/E8	310						8x0,5 <sup>□</sup>		8x0,5 <sup>□</sup>		8x1 <sup>□</sup>		8x1 <sup>□</sup>		8x1 <sup>□</sup>		8x1 <sup>□</sup>		8x1 <sup>□</sup>		8x1 <sup>□</sup>
A3D400.Y.X/E12	345						-		12x0,5 <sup>□</sup>		12x1 <sup>□</sup>		12x1 <sup>□</sup>		12x1 <sup>□</sup>		12x1 <sup>□</sup>		12x1 <sup>□</sup>		12x1 <sup>□</sup>
A3D420.Y.X/E2	263						2x1 <sup>□</sup>		2x1 <sup>□</sup>		2x1 <sup>□</sup>		2x1 <sup>□</sup>		2x1 <sup>□</sup>		2x1 <sup>□</sup>		2x1 <sup>□</sup>		2x1 <sup>□</sup>
A3D420.Y.X/E3	275						3x1 <sup>□</sup>		3x1 <sup>□</sup>		3x1 <sup>□</sup>		3x1 <sup>□</sup>		3x1 <sup>□</sup>		3x1 <sup>□</sup>		3x1 <sup>□</sup>		3x1 <sup>□</sup>
A3D420.Y.X/E4	287						4x1 <sup>□</sup>		4x1 <sup>□</sup>		4x1 <sup>□</sup>		4x1 <sup>□</sup>		4x1 <sup>□</sup>		4x1 <sup>□</sup>		4x1 <sup>□</sup>		4x1 <sup>□</sup>
A3D420.Y.X/E5	298	112	47	420	322		5x1 <sup>□</sup>	8.6	5x1 <sup>□</sup>	8.0	5x1 <sup>□</sup>	6.7	5x1 <sup>□</sup>	6.7	5x1 <sup>□</sup>	6.7	5x1 <sup>□</sup>		5x1 <sup>□</sup>	4.7	5x1 <sup>□</sup>
A3D420.Y.X/E6	310						6x0,5 <sup>□</sup>		6x1 <sup>□</sup>		6x1 <sup>□</sup>		6x1 <sup>□</sup>		6x1 <sup>□</sup>		6x1 <sup>□</sup>		6x1 <sup>□</sup>		6x1 <sup>□</sup>
A3D420.Y.X/E8	310						8x0,5 <sup>□</sup>		8x0,5 <sup>□</sup>		8x1 <sup>□</sup>		8x1 <sup>□</sup>		8x1 <sup>□</sup>		8x1 <sup>□</sup>		8x1 <sup>□</sup>		8x1 <sup>□</sup>
A3D420.Y.X/E12	345						-		12x0,5 <sup>□</sup>		12x1 <sup>□</sup>		12x1 <sup>□</sup>		12x1 <sup>□</sup>		12x1 <sup>□</sup>		12x1 <sup>□</sup>		12x1 <sup>□</sup>

Max flow rate: 40 l/min  
 Working pressure: standard 300 bar  
 optional 400 bar  
 Max hose speed: 30 m/min  
 Temperature range: -20/+80°C  
 Max. Voltage: 50 V; max. current: 5 A  
 Option for mA and BUS on request  
 A3D400=modello destro/right model  
 A3S400=modello sinistro/left model



Corsa verticale verso il basso opzionale = CODICE/VD  
 Vertical downwards is optional = CODE/VD

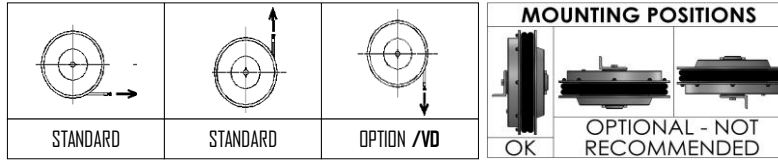


Disegno tecnico disponibile a richiesta PDF STEP  
 Technical drawing available on request

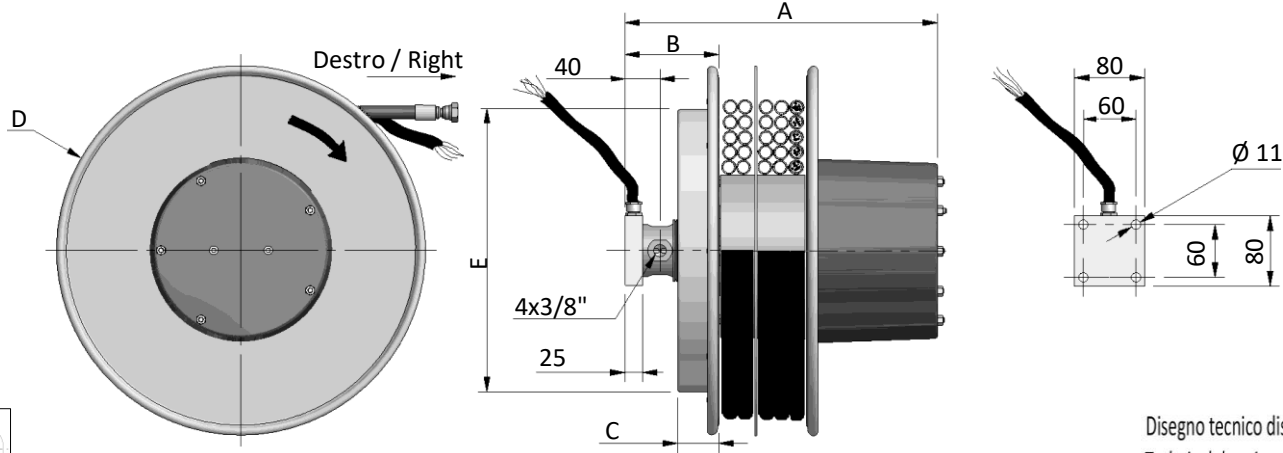
Modello destro Right model	A	B	C	D	E	Senza tubo / CON TUBO (Lunghezza totale -- utile = -0,5 m) - WITH HOSE (Total length -- usable = - 0.5 m)															
						Without hose		1/4" R7 (Y=06 - X=R7)		5/16" R7 (Y=08 - X=R7)		3/8" R7 (Y=10 - X=R7)		3/8" R8 (Y=10 - X=R8)		1/2" B1 (Y=12 - X=B1)					
						kg	Cable	m	Cable	m	Cable	m	Cable	m	Cable	m					
A3D470.Y.X/E2	263						2x1 <sup>□</sup>		2x1 <sup>□</sup>		2x1 <sup>□</sup>		2x1 <sup>□</sup>		2x1 <sup>□</sup>		2x1 <sup>□</sup>		2x1 <sup>□</sup>		2x1 <sup>□</sup>
A3D470.Y.X/E3	275						3x1 <sup>□</sup>		3x1 <sup>□</sup>		3x1 <sup>□</sup>		3x1 <sup>□</sup>		3x1 <sup>□</sup>		3x1 <sup>□</sup>		3x1 <sup>□</sup>		3x1 <sup>□</sup>
A3D470.Y.X/E4	287						4x1 <sup>□</sup>		4x1 <sup>□</sup>		4x1 <sup>□</sup>		4x1 <sup>□</sup>		4x1 <sup>□</sup>		4x1 <sup>□</sup>		4x1 <sup>□</sup>		4x1 <sup>□</sup>
A3D470.Y.X/E5	298	112	47	478	322		5x1 <sup>□</sup>	11.5	5x1 <sup>□</sup>	10.0	5x1 <sup>□</sup>	9.5	5x1 <sup>□</sup>	9.5	5x1 <sup>□</sup>		5x1 <sup>□</sup>		5x1 <sup>□</sup>		5x1 <sup>□</sup>
A3D470.Y.X/E6	310						6x0,5 <sup>□</sup>		6x1 <sup>□</sup>		6x1 <sup>□</sup>		6x1 <sup>□</sup>		6x1 <sup>□</sup>		6x1 <sup>□</sup>		6x1 <sup>□</sup>		6x1 <sup>□</sup>
A3D470.Y.X/E8	310						8x0,5 <sup>□</sup>		8x0,5 <sup>□</sup>		8x1 <sup>□</sup>		8x1 <sup>□</sup>		8x1 <sup>□</sup>		8x1 <sup>□</sup>		8x1 <sup>□</sup>		8x1 <sup>□</sup>
A3D470.Y.X/E12	345						-		12x0,5 <sup>□</sup>		12x1 <sup>□</sup>		12x1 <sup>□</sup>		12x1 <sup>□</sup>		12x1 <sup>□</sup>		12x1 <sup>□</sup>		12x1 <sup>□</sup>
A3D520.Y.X/E2	263						2x1 <sup>□</sup>		2x1 <sup>□</sup>		2x1 <sup>□</sup>		2x1 <sup>□</sup>		2x1 <sup>□</sup>		2x1 <sup>□</sup>		2x1 <sup>□</sup>		2x1 <sup>□</sup>
A3D520.Y.X/E3	275						3x1 <sup>□</sup>		3x1 <sup>□</sup>		3x1 <sup>□</sup>		3x1 <sup>□</sup>		3x1 <sup>□</sup>		3x1 <sup>□</sup>		3x1 <sup>□</sup>		3x1 <sup>□</sup>
A3D520.Y.X/E4	287						4x1 <sup>□</sup>		4x1 <sup>□</sup>		4x1 <sup>□</sup>		4x1 <sup>□</sup>		4x1 <sup>□</sup>		4x1 <sup>□</sup>		4x1 <sup>□</sup>		4x1 <sup>□</sup>
A3D520.Y.X/E5	298	112	47	520	422		5x1 <sup>□</sup>	14.5	5x1 <sup>□</sup>	12.5	5x1 <sup>□</sup>	11.2	5x1 <sup>□</sup>	11.2	5x1 <sup>□</sup>		5x1 <sup>□</sup>		5x1 <sup>□</sup>		5x1 <sup>□</sup>
A3D520.Y.X/E6	310						6x0,5 <sup>□</sup>		6x1 <sup>□</sup>		6x1 <sup>□</sup>		6x1 <sup>□</sup>		6x1 <sup>□</sup>		6x1 <sup>□</sup>		6x1 <sup>□</sup>		6x1 <sup>□</sup>
A3D520.Y.X/E8	310						8x0,5 <sup>□</sup>		8x0,5 <sup>□</sup>		8x1 <sup>□</sup>		8x1 <sup>□</sup>		8x1 <sup>□</sup>		8x1 <sup>□</sup>		8x1 <sup>□</sup>		8x1 <sup>□</sup>
A3D520.Y.X/E12	345						-		12x0,5 <sup>□</sup>		12x1 <sup>□</sup>		12x1 <sup>□</sup>		12x1 <sup>□</sup>		12x1 <sup>□</sup>		12x1 <sup>□</sup>		12x1 <sup>□</sup>
A3D570.Y.X/E2	263						2x1 <sup>□</sup>		2x1 <sup>□</sup>		2x1 <sup>□</sup>		2x1 <sup>□</sup>		2x1 <sup>□</sup>		2x1 <sup>□</sup>		2x1 <sup>□</sup>		2x1 <sup>□</sup>
A3D570.Y.X/E3	275						3x1 <sup>□</sup>		3x1 <sup>□</sup>		3x1 <sup>□</sup>		3x1 <sup>□</sup>		3x1 <sup>□</sup>		3x1 <sup>□</sup>		3x1 <sup>□</sup>		3x1 <sup>□</sup>
A3D570.Y.X/E4	287						4x1 <sup>□</sup>		4x1 <sup>□</sup>		4x1 <sup>□</sup>		4x1 <sup>□</sup>		4x1 <sup>□</sup>		4x1 <sup>□</sup>		4x1 <sup>□</sup>		4x1 <sup>□</sup>
A3D570.Y.X/E5	298	112	47	570	422		5x1 <sup>□</sup>	17.5	5x1 <sup>□</sup>	15.5	5x1 <sup>□</sup>	13.5	5x1 <sup>□</sup>	13.5	5x1 <sup>□</sup>		5x1 <sup>□</sup>		5x1 <sup>□</sup>		5x1 <sup>□</sup>
A3D570.Y.X/E6	310						6x0,5 <sup>□</sup>		6x1 <sup>□</sup>		6x1 <sup>□</sup>		6x1 <sup>□</sup>		6x1 <sup>□</sup>		6x1 <sup>□</sup>		6x1 <sup>□</sup>		6x1 <sup>□</sup>
A3D570.Y.X/E8	310						8x0,5 <sup>□</sup>		8x0,5 <sup>□</sup>		8x1 <sup>□</sup>		8x1 <sup>□</sup>		8x1 <sup>□</sup>		8x1 <sup>□</sup>		8x1 <sup>□</sup>		8x1 <sup>□</sup>
A3D570.Y.X/E12	345						-		12x0,5 <sup>□</sup>		12x1 <sup>□</sup>		12x1 <sup>□</sup>		12x1 <sup>□</sup>		12x1 <sup>□</sup>		12x1 <sup>□</sup>		12x1 <sup>□</sup>
A3D600.Y.X/E2	263						2x1 <sup>□</sup>		2x1 <sup>□</sup>		2x1 <sup>□</sup>		2x1 <sup>□</sup>		2x1 <sup>□</sup>		2x1 <sup>□</sup>		2x1 <sup>□</sup>		2x1 <sup>□</sup>
A3D600.Y.X/E3	275						3x1 <sup>□</sup>		3x1 <sup>□</sup>		3x1 <sup>□</sup>		3x1 <sup>□</sup>		3x1 <sup>□</sup>		3x1 <sup>□</sup>		3x1 <sup>□</sup>		3x1 <sup>□</sup>
A3D600.Y.X/E4	287						4x1 <sup>□</sup>		4x1 <sup>□</sup>		4x1 <sup>□</sup>		4x1 <sup>□</sup>		4x1 <sup>□</sup>		4x1 <sup>□</sup>		4x1 <sup>□</sup>		4x1 <sup>□</sup>
A3D600.Y.X/E5	298	112	47	620	422		5x1 <sup>□</sup>	21.0	5x1 <sup>□</sup>	17.0	5x1 <sup>□</sup>	16.0	5x1 <sup>□</sup>	16.0	5x1 <sup>□</sup>		5x1 <sup>□</sup>		5x1 <sup>□</sup>		5x1 <sup>□</sup>
A3D600.Y.X/E6	310						6x0,5 <sup>□</sup>		6x1 <sup>□</sup>		6x1 <sup>□</sup>		6x1 <sup>□</sup>		6x1 <sup>□</sup>		6x1 <sup>□</sup>		6x1 <sup>□</sup>		6x1 <sup>□</sup>
A3D600.Y.X/E8	310						8x0,5 <sup>□</sup>		8x0,5 <sup>□</sup>		8x1 <sup>□</sup>		8x1 <sup>□</sup>		8x1 <sup>□</sup>		8x1 <sup>□</sup>		8x1 <sup>□</sup>		8x1 <sup>□</sup>
A3D600.Y.X/E12	345						-		12x0,5 <sup>□</sup>		12x1 <sup>□</sup>		12x1 <sup>□</sup>		12x1 <sup>□</sup>		12x1 <sup>□</sup>		12x1 <sup>□</sup>		12x1 <sup>□</sup>
A3D650.Y.X/E2	263						2x1 <sup>□</sup>		2x1 <sup>□</sup>		2x1 <sup>□</sup>		2x1 <sup>□</sup>		2x1 <sup>□</sup>		2x1 <sup>□</sup>		2x1 <sup>□</sup>		2x1 <sup>□</sup>
A3D650.Y.X/E3	275						3x1 <sup>□</sup>		3x1 <sup>□</sup>		3x1 <sup>□</sup>		3x1 <sup>□</sup>		3x1 <sup>□</sup>		3x1 <sup>□</sup>		3x1 <sup>□</sup>		3x1 <sup>□</sup>
A3D650.Y.X/E4	287						4x1 <sup>□</sup>		4x1 <sup>□</sup>		4x1 <sup>□</sup>		4x1 <sup>□</sup>		4x1 <sup>□</sup>		4x1 <sup>□</sup>		4x1 <sup>□</sup>		4x1 <sup>□</sup>
A3D650.Y.X/E5	298	112	47	650	422		5x1 <sup>□</sup>	22.5	5x1 <sup>□</sup>	19.5	5x1 <sup>□</sup>	17.5	5x1 <sup>□</sup>	17.5	5x1 <sup>□</sup>		5x1 <sup>□</sup>		5x1 <sup>□</sup>		5x1 <sup>□</sup>
A3D650.Y.X/E6	310						6x0,5 <sup>□</sup>		6x1 <sup>□</sup>		6x1 <sup>□</sup>		6x1 <sup>□</sup>		6x1 <sup>□</sup>		6x1 <sup>□</sup>		6x1 <sup>□</sup>		6x1 <sup>□</sup>
A3D650.Y.X/E8	310						8x0,5 <sup>□</sup>		8x0,5 <sup>□</sup>		8x1 <sup>□</sup>		8x1 <sup>□</sup>		8x1 <sup>□</sup>		8x1 <sup>□</sup>		8x1 <sup>□</sup>		8x1 <sup>□</sup>
A3D650.Y.X/E12	345						-		12x0,5 <sup>□</sup>		12x1 <sup>□</sup>		12x1 <sup>□</sup>		12x1 <sup>□</sup>		12x1 <sup>□</sup>		12x1 <sup>□</sup>		12x1 <sup>□</sup>
A3D700.Y.X/E2	263						2x1 <sup>□</sup>		2x1 <sup>□</sup>		2x1 <sup>□</sup>		2x1 <sup>□</sup>		2x1 <sup>□</sup>		2x1 <sup>□</sup>		2x1 <sup>□</sup>		2x1 <sup>□</sup>
A3D700.Y.X/E3	275						3x1 <sup>□</sup>		3x1 <sup>□</sup>		3x1 <sup>□</sup>		3x1 <sup>□</sup>		3x1 <sup>□</sup>		3x1 <sup>□</sup>		3x1 <sup>□</sup>		3x1 <sup>□</sup>
A3D700.Y.X/E4	287						4x1 <sup>□</sup>		4x1 <sup>□</sup>		4x1 <sup>□</sup>		4x1 <sup>□</sup>		4x1 <sup>□</sup>		4x1 <sup>□</sup>		4x1 <sup>□</sup>		4x1 <sup>□</sup>
A3D700.Y.X/E5	298	112	57	720	532		5x1 <sup>□</sup>	27.0	5x1 <sup>□</sup>	22.0	5x1 <sup>□</sup>	20.0	5x1 <sup>□</sup>	20.0	5x1 <sup>□</sup>		5x1 <sup>□</sup>		5x1 <sup>□</sup>		5x1 <sup>□</sup>
A3D700.Y.X/E6	310						6x0,5 <sup>□</sup>		6x1 <sup>□</sup>		6x1 <sup>□</sup>		6x1 <sup>□</sup>		6x1 <sup>□</sup>		6x1 <sup>□</sup>		6x1 <sup>□</sup>		6x1 <sup>□</sup>
A3D700.Y.X/E8	310						8x0,5 <sup>□</sup>		8x0,5 <sup>□</sup>		8x1 <sup>□</sup>		8x1 <sup>□</sup>		8x1 <sup>□</sup>		8x1 <sup>□</sup>		8x1 <sup>□</sup>		8x1 <sup>□</sup>
A3D700.Y.X/E12	345						-		12x0,5 <sup>□</sup>		12x1 <sup>□</sup>		12x1 <sup>□</sup>		12x1 <sup>□</sup>		12x1 <sup>□</sup>		12x1 <sup>□</sup>		12x1 <sup>□</sup>



Max flow rate: 40 l/min  
 Working pressure: standard 300 bar  
 optional 400 bar  
 Max hose speed: 30 m/min  
 Temperature range: -20/+80°C  
 Max. Voltage: 50 V; max. current: 5 A  
 Option for mA and BUS on request  
 A4D400=modello destro/right model  
 A4S400=modello sinistro/left model



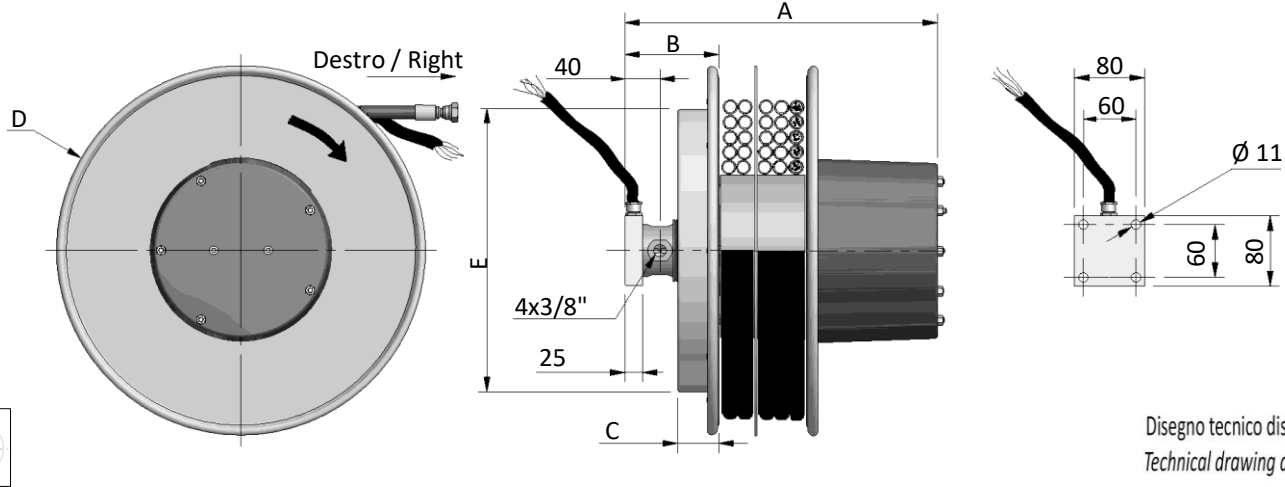
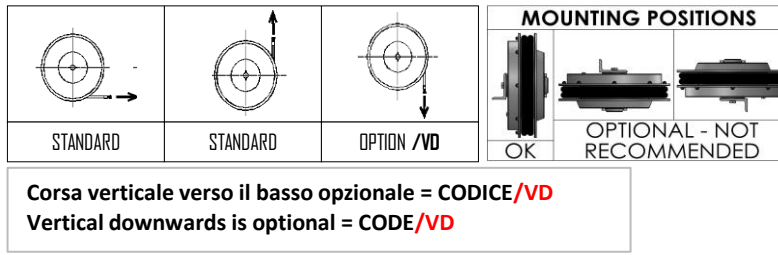
Corsa verticale verso il basso opzionale = CODICE/VD  
 Vertical downwards is optional = CODE/VD



Disegno tecnico disponibile a richiesta PDF STEP  
 Technical drawing available on request 2D 3D

Modello destro Right model	A	B	C	D	E	Senza tubo / CON TUBO (Lunghezza totale -- utile = -0,5 m) - WITH HOSE (Total length -- usable = - 0.5 m)											
						Without hose		1/4" R7 (Y=06 - X=R7)		5/16" R7 (Y=08 - X=R7)		3/8" R7 (Y=10 - X=R7)		3/8" R8 (Y=10 - X=R8)		1/2" B1 (Y=12 - X=B1)	
						kg	Cable	m	Cable	m	Cable	m	Cable	m	Cable	m	
A4D295.Y.X/E2	285						2x1		2x1,5		2x1,5		2x1,5		2x1		
A4D295.Y.X/E3	297						3x1		3x1,5		3x1,5		3x1,5		3x1		
A4D295.Y.X/E4	309						4x1		4x1,5		4x1,5		4x1,5		4x1		
A4D295.Y.X/E5	320	112	35	295	291		5x1	3.0	5x1,5	2.3	5x1,5	2.3	5x1,5	2.3	5x1	1.5	
A4D295.Y.X/E6	332						6x1		6x1,5		6x1,5		6x1,5		6x1		
A4D295.Y.X/E8	332						8x1		8x1,5		8x1,5		8x1,5		8x1		
A4D295.Y.X/E12	367						-		12x1,5		12x1,5		12x1,5		12x1		
A4D320.Y.X/E2	285						2x1		2x1,5		2x1,5		2x1,5		2x1		
A4D320.Y.X/E3	297						3x1		3x1,5		3x1,5		3x1,5		3x1		
A4D320.Y.X/E4	309						4x1		4x1,5		4x1,5		4x1,5		4x1		
A4D320.Y.X/E5	320	112	37	325	272		5x1	4.0	5x1,5	3.2	5x1,5	3.3	5x1,5	3.3	5x1	2.5	
A4D320.Y.X/E6	332						6x1		6x1,5		6x1,5		6x1,5		6x1		
A4D320.Y.X/E8	332						8x1		8x1,5		8x1,5		8x1,5		8x1		
A4D320.Y.X/E12	367						-		12x1,5		12x1,5		12x1,5		12x1		
A4D340.Y.X/E2	285						2x1		2x1,5		2x1,5		2x1,5		2x1		
A4D340.Y.X/E3	297						3x1		3x1,5		3x1,5		3x1,5		3x1		
A4D340.Y.X/E4	309						4x1		4x1,5		4x1,5		4x1,5		4x1		
A4D340.Y.X/E5	320	112	37	340	272		5x1	5.0	5x1,5	4.2	5x1,5	4.0	5x1,5	4.0	5x1	2.5	
A4D340.Y.X/E6	332						6x1		6x1,5		6x1,5		6x1,5		6x1		
A4D340.Y.X/E8	332						8x1		8x1,5		8x1,5		8x1,5		8x1		
A4D340.Y.X/E12	367						-		12x1,5		12x1,5		12x1,5		12x1		
A4D370.Y.X/E2	285						2x1		2x1,5		2x1,5		2x1,5		2x1		
A4D370.Y.X/E3	297						3x1		3x1,5		3x1,5		3x1,5		3x1		
A4D370.Y.X/E4	309						4x1		4x1,5		4x1,5		4x1,5		4x1		
A4D370.Y.X/E5	320	112	37	370	272		5x1	6.0	5x1,5	5.3	5x1,5	4.5	5x1,5	4.5	5x1	3.5	
A4D370.Y.X/E6	332						6x1		6x1,5		6x1,5		6x1,5		6x1		
A4D370.Y.X/E8	332						8x1		8x1,5		8x1,5		8x1,5		8x1		
A4D370.Y.X/E12	367						-		12x1,5		12x1,5		12x1,5		12x1		
A4D400.Y.X/E2	285						2x1		2x1,5		2x1,5		2x1,5		2x1		
A4D400.Y.X/E3	297						3x1		3x1,5		3x1,5		3x1,5		3x1		
A4D400.Y.X/E4	309						4x1		4x1,5		4x1,5		4x1,5		4x1		
A4D400.Y.X/E5	320	112	47	400	322		5x1	7.3	5x1,5	6.5	5x1,5	5.6	5x1,5	5.6	5x1	4.5	
A4D400.Y.X/E6	332						6x1		6x1,5		6x1,5		6x1,5		6x1		
A4D400.Y.X/E8	332						8x1		8x1,5		8x1,5		8x1,5		8x1		
A4D400.Y.X/E12	367						-		12x,51		12x,51		12x,51		12x1		
A4D420.Y.X/E2	285						2x1		2x1,5		2x1,5		2x1,5		2x1		
A4D420.Y.X/E3	297						3x1		3x1,5		3x1,5		3x1,5		3x1		
A4D420.Y.X/E4	309						4x1		4x1,5		4x1,5		4x1,5		4x1		
A4D420.Y.X/E5	320	112	47	420	322		5x1	8.6	5x1,5	8.0	5x1,5	6.7	5x1,5	6.7	5x1	4.7	
A4D420.Y.X/E6	332						6x1		6x1,5		6x1,5		6x1,5		6x1		
A4D420.Y.X/E8	332						8x1		8x1,5		8x1,5		8x1,5		8x1		
A4D420.Y.X/E12	367						-		12x1,5		12x1,5		12x1,5		12x1		

Max flow rate: 40 l/min  
 Working pressure: standard 300 bar  
 optional 400 bar  
 Max hose speed: 30 m/min  
 Temperature range: -20/+80°C  
 Max. Voltage: 50 V; max. current: 5 A  
 Option for mA and BUS on request  
 A4D400=modello destro/right model  
 A4S400=modello sinistro/left model



Disegno tecnico disponibile a richiesta PDF STEP  
 Technical drawing available on request 2D 3D

Modello destro Right model	A	B	C	D	E	Senza tubo / CON TUBO (Lunghezza totale -- utile = -0,5 m) - WITH HOSE (Total length -- usable = - 0.5 m)											
						Without hose		1/4" R7 (Y=06 - X=R7)		5/16" R7 (Y=08 - X=R7)		3/8" R7 (Y=10 - X=R7)		3/8" R8 (Y=10 - X=R8)		1/2" B1 (Y=12 - X=B1)	
						kg	Cable	m	Cable	m	Cable	m	Cable	m	Cable	m	
A4D470.Y.X/E2	285						2x1		2x1.5		2x1.5		2x1.5		2x1		
A4D470.Y.X/E3	297						3x1		3x1.5		3x1.5		3x1.5		3x1		
A4D470.Y.X/E4	309						4x1		4x1.5		4x1.5		4x1.5		4x1		
A4D470.Y.X/E5	320	112	47	478	322		5x1	11.5	5x1.5	10.0	5x1.5	9.5	5x1.5	9.5	5x1	7.5	
A4D470.Y.X/E6	332						6x1		6x1.5		6x1.5		6x1.5		6x1		
A4D470.Y.X/E8	332						8x1		8x1.5		8x1.5		8x1.5		8x1		
A4D470.Y.X/E12	367						-		12x1.5		12x1.5		12x1.5		12x1		
A4D520.Y.X/E2	285						2x1		2x1.5		2x1.5		2x1.5		2x1		
A4D520.Y.X/E3	297						3x1		3x1.5		3x1.5		3x1.5		3x1		
A4D520.Y.X/E4	309						4x1		4x1.5		4x1.5		4x1.5		4x1		
A4D520.Y.X/E5	320	112	47	520	422		5x1	14.5	5x1.5	12.5	5x1.5	11.2	5x1.5	11.2	5x1	9.0	
A4D520.Y.X/E6	332						6x1		6x1.5		6x1.5		6x1.5		6x1		
A4D520.Y.X/E8	332						8x1		8x1.5		8x1.5		8x1.5		8x1		
A4D520.Y.X/E12	367						-		12x1.5		12x1.5		12x1.5		12x1		
A4D570.Y.X/E2	285						2x1		2x1.5		2x1.5		2x1.5		2x1		
A4D570.Y.X/E3	297						3x1		3x1.5		3x1.5		3x1.5		3x1		
A4D570.Y.X/E4	309						4x1		4x1.5		4x1.5		4x1.5		4x1		
A4D570.Y.X/E5	320	112	47	570	422		5x1	17.5	5x1.5	15.5	5x1.5	13.5	5x1.5	13.5	5x1	10.7	
A4D570.Y.X/E6	332						6x1		6x1.5		6x1.5		6x1.5		6x1		
A4D570.Y.X/E8	332						8x1		8x1.5		8x1.5		8x1.5		8x1		
A4D570.Y.X/E12	367						-		12x1.5		12x1.5		12x1.5		12x1		
A4D600.Y.X/E2	285						2x1		2x1.5		2x1.5		2x1.5		2x1		
A4D600.Y.X/E3	297						3x1		3x1.5		3x1.5		3x1.5		3x1		
A4D600.Y.X/E4	309						4x1		4x1.5		4x1.5		4x1.5		4x1		
A4D600.Y.X/E5	320	112	47	620	422		5x1	21.0	5x1.5	17.0	5x1.5	16.0	5x1.5	16.0	5x1	12.5	
A4D600.Y.X/E6	332						6x1		6x1.5		6x1.5		6x1.5		6x1		
A4D600.Y.X/E8	332						8x1		8x1.5		8x1.5		8x1.5		8x1		
A4D600.Y.X/E12	367						-		12x1.5		12x1.5		12x1.5		12x1		
A4D650.Y.X/E2	285						2x1		2x1.5		2x1.5		2x1.5		2x1		
A4D650.Y.X/E3	297						3x1		3x1.5		3x1.5		3x1.5		3x1		
A4D650.Y.X/E4	309						4x1		4x1.5		4x1.5		4x1.5		4x1		
A4D650.Y.X/E5	320	112	47	650	422		5x1	22.5	5x1.5	19.5	5x1.5	17.5	5x1.5	17.5	5x1	14.5	
A4D650.Y.X/E6	332						6x1		6x1.5		6x1.5		6x1.5		6x1		
A4D650.Y.X/E8	332						8x1		8x1.5		8x1.5		8x1.5		8x1		
A4D650.Y.X/E12	367						-		12x1.5		12x1.5		12x1.5		12x1		
A4D700.Y.X/E2	285						2x1		2x1.5		2x1.5		2x1.5		2x1		
A4D700.Y.X/E3	297						3x1		3x1.5		3x1.5		3x1.5		3x1		
A4D700.Y.X/E4	309						4x1		4x1.5		4x1.5		4x1.5		4x1		
A4D700.Y.X/E5	320	112	57	720	532		5x1	27.0	5x1.5	22.0	5x1.5	20.0	5x1.5	20.0	5x1	16.0	
A4D700.Y.X/E6	332						6x1		6x1.5		6x1.5		6x1.5		6x1		
A4D700.Y.X/E8	332						8x1		8x1.5		8x1.5		8x1.5		8x1		
A4D700.Y.X/E12	367						-		12x1.5		12x1.5		12x1.5		12x1		

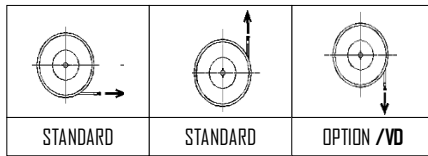
**AWDLGITUBO ELETTRICO-IDRAULICO (5 VIE + CAVO)**

**CABLE HOSE REEL (5 PORTS + CABLE)**

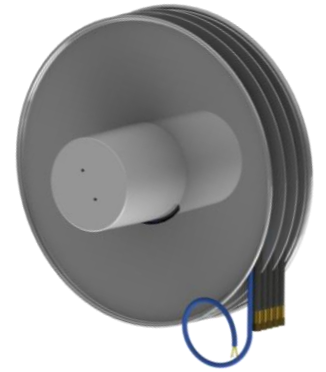
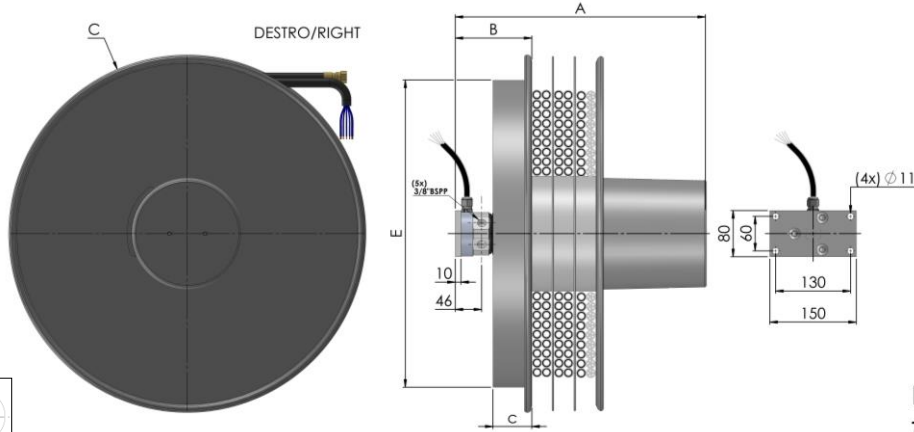
**ENROULEUR ELECTRO-HYDRAULIQUE (5 TUYAUX + CÂBLE)**

**SCHLAUCH-KABELROLLE (5 SCHLÄUCHE + KABEL)**

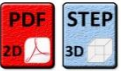
Max flow rate: 30 l/min  
 Working pressure: standard 300 bar  
 optional 400 bar  
 Max hose speed: 30 m/min  
 Temperature range: -20/+80°C  
 Max. Voltage: 50 V; max. current: 5 A  
 Option for mA and BUS on request  
 A5D600=modello destro/right model  
 A5S600=modello sinistro/left model



**Corsa verticale verso il basso opzionale = CODICE /VD**  
**Vertical downwards is optional = CODE /VD**



Disegno tecnico disponibile a richiesta  
 Technical drawing available on request



Modello destro Right model	A	B	C	D	E	Senza tubo / CON TUBO (Lunghezza totale -- utile = -0,5 m) - WITH HOSE (Total length -- usable = - 0,5 m)									
						Without hose		1/4" R7 (Y=06 - X=R7)		5/16" R7 (Y=08 - X=R7)		3/8" R7 (Y=10 - X=R7)		3/8" R8 (Y=10 - X=R8)	
						kg	Cable	m	Cable	m	Cable	m	Cable	m	
A5D295.Y.X/E2	310						2x1		2x1		2x1		2x1		
A5D295.Y.X/E3	318						3x1		3x1		3x1		3x1		
A5D295.Y.X/E4	327						4x1		4x1		4x1		4x1		
A5D295.Y.X/E5	335	113	47	295	272		5x1	3.0	5x1	2.3	5x1	2.3	5x1	2.3	
A5D295.Y.X/E6	344						6x0,5		6x1		6x1		6x1		
A5D295.Y.X/E8	361						8x0,5		8x0,5		8x1		8x1		
A5D295.Y.X/E12	395						-		12x0,5		12x1		12x1		
A5D320.Y.X/E2	310						2x1		2x1		2x1		2x1		
A5D320.Y.X/E3	318						3x1		3x1		3x1		3x1		
A5D320.Y.X/E4	327						4x1		4x1		4x1		4x1		
A5D320.Y.X/E5	335	113	37	325	272		5x1	4.0	5x1	3.2	5x1	3.3	5x1	3.3	
A5D320.Y.X/E6	344						6x0,5		6x1		6x1		6x1		
A5D320.Y.X/E8	361						8x0,5		8x0,5		8x1		8x1		
A5D320.Y.X/E12	395						-		12x0,5		12x1		12x1		
A5D340.Y.X/E2	310						2x1		2x1		2x1		2x1		
A5D340.Y.X/E3	318						3x1		3x1		3x1		3x1		
A5D340.Y.X/E4	327						4x1		4x1		4x1		4x1		
A5D340.Y.X/E5	335	113	37	340	272		5x1	5.0	5x1	4.2	5x1	4.0	5x1	4.0	
A5D340.Y.X/E6	344						6x0,5		6x1		6x1		6x1		
A5D340.Y.X/E8	361						8x0,5		8x0,5		8x1		8x1		
A5D340.Y.X/E12	395						-		12x0,5		12x1		12x1		
A5D370.Y.X/E2	310						2x1		2x1		2x1		2x1		
A5D370.Y.X/E3	318						3x1		3x1		3x1		3x1		
A5D370.Y.X/E4	327						4x1		4x1		4x1		4x1		
A5D370.Y.X/E5	335	113	37	370	322		5x1	6.0	5x1	5.3	5x1	4.5	5x1	4.5	
A5D370.Y.X/E6	344						6x0,5		6x1		6x1		6x1		
A5D370.Y.X/E8	361						8x0,5		8x0,5		8x1		8x1		
A5D370.Y.X/E12	395						-		12x0,5		12x1		12x1		
A5D400.Y.X/E2	310						2x1		2x1		2x1		2x1		
A5D400.Y.X/E3	318						3x1		3x1		3x1		3x1		
A5D400.Y.X/E4	327						4x1		4x1		4x1		4x1		
A5D400.Y.X/E5	335	113	47	400	322		5x1	7.3	5x1	6.5	5x1	5.6	5x1	5.6	
A5D400.Y.X/E6	344						6x0,5		6x1		6x1		6x1		
A5D400.Y.X/E8	361						8x0,5		8x0,5		8x1		8x1		
A5D400.Y.X/E12	395						-		12x0,5		12x1		12x1		

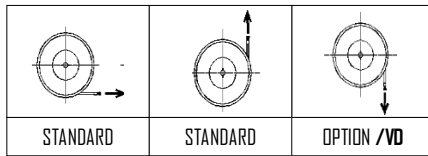
**AWDLGITUBO ELETTRICO-IDRAULICO (5 VIE + CAVO)**

**CABLE HOSE REEL (5 PORTS + CABLE)**

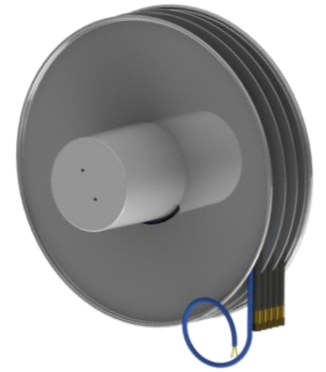
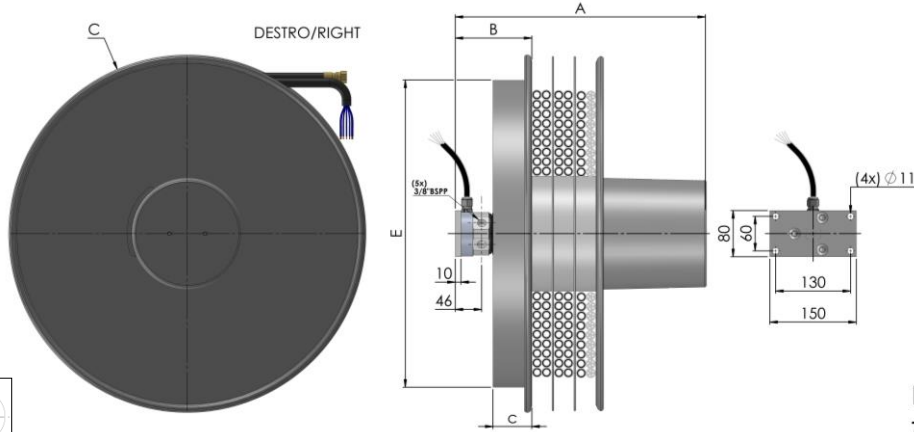
**ENROULEUR ELECTRO-HYDRAULIQUE (5 TUYAUX + CÂBLE)**

**SCHLAUCH-KABELROLLE (5 SCHLÄUCHE + KABEL)**

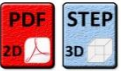
Max flow rate: 30 l/min  
 Working pressure: standard 300 bar  
 optional 400 bar  
 Max hose speed: 30 m/min  
 Temperature range: -20/+80°C  
 Max. Voltage: 50 V; max. current: 5 A  
 Option for mA and BUS on request  
 A5D600=modello destro/right model  
 A5S600=modello sinistro/left model



**Corsa verticale verso il basso opzionale = CODICE /VD**  
**Vertical downwards is optional = CODE /VD**



Disegno tecnico disponibile a richiesta  
 Technical drawing available on request



Modello destro Right model	A	B	C	D	E	Senza tubo / CON TUBO (Lunghezza totale -- utile = -0,5 m) - WITH HOSE (Total length -- usable = - 0,5 m)									
						Senza tubo / Without hose		1/4" R7 (Y=06 - X=R7)		5/16" R7 (Y=08 - X=R7)		3/8" R7 (Y=10 - X=R7)		3/8" R8 (Y=10 - X=R8)	
						kg	Cable	m	Cable	m	Cable	m	Cable	m	
A5D420.Y.X/E2	310						2x1		2x1		2x1		2x1		
A5D420.Y.X/E3	318						3x1		3x1		3x1		3x1		
A5D420.Y.X/E4	327						4x1		4x1		4x1		4x1		
A5D420.Y.X/E5	335	113	47	420	322		5x1	8.6	5x1	8.0	5x1	6.7	5x1	6.7	
A5D420.Y.X/E6	344						6x0,5		6x1		6x1		6x1		
A5D420.Y.X/E8	361						8x0,5		8x0,5		8x1		8x1		
A5D420.Y.X/E12	395						-		12x0,5		12x1		12x1		
A5D470.Y.X/E2	310						2x1		2x1		2x1		2x1		
A5D470.Y.X/E3	318						3x1		3x1		3x1		3x1		
A5D470.Y.X/E4	327						4x1		4x1		4x1		4x1		
A5D470.Y.X/E5	335	113	47	478	422		5x1	11.5	5x1	10.0	5x1	9.5	5x1	9.5	
A5D470.Y.X/E6	344						6x0,5		6x1		6x1		6x1		
A5D470.Y.X/E8	361						8x0,5		8x0,5		8x1		8x1		
A5D470.Y.X/E12	395						-		12x0,5		12x1		12x1		
A5D520.Y.X/E2	310						2x1		2x1		2x1		2x1		
A5D520.Y.X/E3	318						3x1		3x1		3x1		3x1		
A5D520.Y.X/E4	327						4x1		4x1		4x1		4x1		
A5D520.Y.X/E5	335	113	47	520	422		5x1	14.5	5x1	12.5	5x1	11.2	5x1	11.2	
A5D520.Y.X/E6	344						6x0,5		6x1		6x1		6x1		
A5D520.Y.X/E8	361						8x0,5		8x0,5		8x1		8x1		
A5D520.Y.X/E12	395						-		12x0,5		12x1		12x1		
A5D570.Y.X/E2	310						2x1		2x1		2x1		2x1		
A5D570.Y.X/E3	318						3x1		3x1		3x1		3x1		
A5D570.Y.X/E4	327						4x1		4x1		4x1		4x1		
A5D570.Y.X/E5	335	113	47	570	422		5x1	17.5	5x1	15.5	5x1	13.5	5x1	13.5	
A5D570.Y.X/E6	344						6x0,5		6x1		6x1		6x1		
A5D570.Y.X/E8	361						8x0,5		8x0,5		8x1		8x1		
A5D570.Y.X/E12	395						-		12x0,5		12x1		12x1		
A5D600.Y.X/E2	310						2x1		2x1		2x1		2x1		
A5D600.Y.X/E3	318						3x1		3x1		3x1		3x1		
A5D600.Y.X/E4	327						4x1		4x1		4x1		4x1		
A5D600.Y.X/E5	335	113	47	620	532		5x1	21.0	5x1	17.0	5x1	16.0	5x1	16.0	
A5D600.Y.X/E6	344						6x0,5		6x1		6x1		6x1		
A5D600.Y.X/E8	361						8x0,5		8x0,5		8x1		8x1		
A5D600.Y.X/E12	395						-		12x0,5		12x1		12x1		



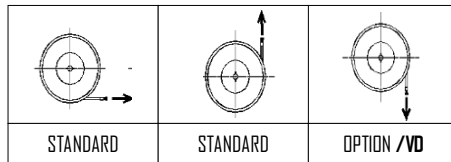
AVVOLGITUBO ELETTO-IDRAULICO (6 VIE + CAVO)

CABLE HOSE REEL (6 PORTS + CABLE)

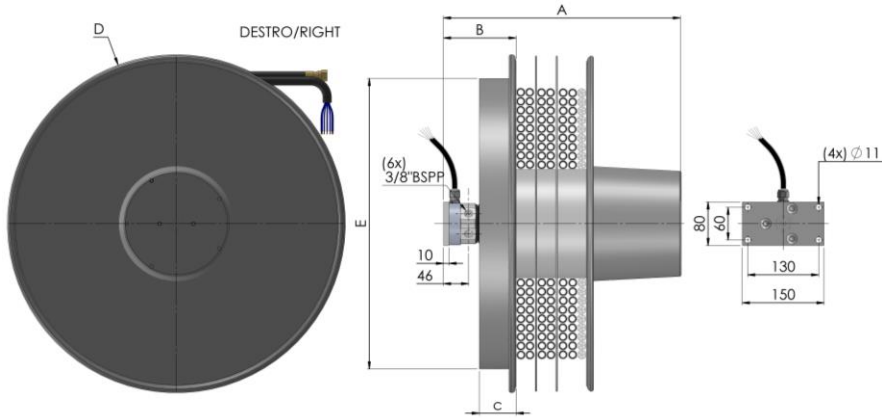
A6/E

ENROULEUR ELECTRO-HYDRAULIQUE (6 TUYAUX + CÂBLE) SCHLAUCH-KABELROLLE (6 SCHLÄUCHE + KABEL)

Max flow rate: 30 l/min  
 Working pressure: standard 300 bar  
 optional 400 bar  
 Max hose speed: 30 m/min  
 Temperature range: -20/+80°C  
 Max. Voltage: 50 V; max. current: 5 A  
 Option for mA and BUS on request  
 A6D600=modello destro/right model  
 A6S600=modello sinistro/left model



Corsa verticale verso il basso opzionale = CODICE/VD  
 Vertical downwards is optional = CODE/VD



Disegno tecnico disponibile a richiesta  
 Technical drawing available on request



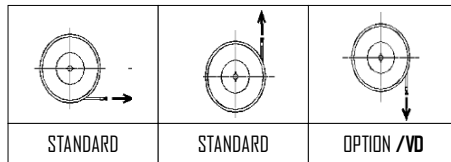
Modello destro Right model	A	B	C	D	E	Senza tubo		CON TUBO (Lunghezza totale -- utile = -0,5 m) - WITH HOSE (Total length -- usable = - 0.5 m)									
						Without hose		1/4" R7 (Y=06 - X=R7)		5/16" R7 (Y=08 - X=R7)		3/8" R7 (Y=10 - X=R7)		3/8" R8 (Y=10 - X=R8)			
						kg	Cable	m	Cable	m	Cable	m	Cable	m			
A6D295.Y.X/E2	325						2x1 <sup>□</sup>		2x1,5 <sup>□</sup>		2x1,5 <sup>□</sup>		2x1,5 <sup>□</sup>				
A6D295.Y.X/E3	334						3x1 <sup>□</sup>		3x1,5 <sup>□</sup>		3x1,5 <sup>□</sup>		3x1,5 <sup>□</sup>				
A6D295.Y.X/E4	342						4x1 <sup>□</sup>		4x1,5 <sup>□</sup>		4x1,5 <sup>□</sup>		4x1,5 <sup>□</sup>				
A6D295.Y.X/E5	351	107	47	295	290		5x1 <sup>□</sup>	3.0	5x1,5 <sup>□</sup>	2.3	5x1,5 <sup>□</sup>	2.3	5x1,5 <sup>□</sup>	2.3			
A6D295.Y.X/E6	359						6x1 <sup>□</sup>		6x1,5 <sup>□</sup>		6x1,5 <sup>□</sup>		6x1,5 <sup>□</sup>				
A6D295.Y.X/E8	376						8x1 <sup>□</sup>		8x1,5 <sup>□</sup>		8x1,5 <sup>□</sup>		8x1,5 <sup>□</sup>				
A6D295.Y.X/E12	410						-		12x1,5 <sup>□</sup>		12x1,5 <sup>□</sup>		12x1,5 <sup>□</sup>				
A6D320.Y.X/E2	325						2x1 <sup>□</sup>		2x1,5 <sup>□</sup>		2x1,5 <sup>□</sup>		2x1,5 <sup>□</sup>				
A6D320.Y.X/E3	334						3x1 <sup>□</sup>		3x1,5 <sup>□</sup>		3x1,5 <sup>□</sup>		3x1,5 <sup>□</sup>				
A6D320.Y.X/E4	342						4x1 <sup>□</sup>		4x1,5 <sup>□</sup>		4x1,5 <sup>□</sup>		4x1,5 <sup>□</sup>				
A6D320.Y.X/E5	351	107	37	325	272		5x1 <sup>□</sup>	4.0	5x1,5 <sup>□</sup>	3.2	5x1,5 <sup>□</sup>	3.3	5x1,5 <sup>□</sup>	3.3			
A6D320.Y.X/E6	359						6x1 <sup>□</sup>		6x1,5 <sup>□</sup>		6x1,5 <sup>□</sup>		6x1,5 <sup>□</sup>				
A6D320.Y.X/E8	376						8x1 <sup>□</sup>		8x1,5 <sup>□</sup>		8x1,5 <sup>□</sup>		8x1,5 <sup>□</sup>				
A6D320.Y.X/E12	410						-		12x1,5 <sup>□</sup>		12x1,5 <sup>□</sup>		12x1,5 <sup>□</sup>				
A6D340.Y.X/E2	325						2x1 <sup>□</sup>		2x1,5 <sup>□</sup>		2x1,5 <sup>□</sup>		2x1,5 <sup>□</sup>				
A6D340.Y.X/E3	334						3x1 <sup>□</sup>		3x1,5 <sup>□</sup>		3x1,5 <sup>□</sup>		3x1,5 <sup>□</sup>				
A6D340.Y.X/E4	342						4x1 <sup>□</sup>		4x1,5 <sup>□</sup>		4x1,5 <sup>□</sup>		4x1,5 <sup>□</sup>				
A6D340.Y.X/E5	351	107	37	340	272		5x1 <sup>□</sup>	5.0	5x1,5 <sup>□</sup>	4.2	5x1,5 <sup>□</sup>	4.0	5x1,5 <sup>□</sup>	4.0			
A6D340.Y.X/E6	359						6x1 <sup>□</sup>		6x1,5 <sup>□</sup>		6x1,5 <sup>□</sup>		6x1,5 <sup>□</sup>				
A6D340.Y.X/E8	376						8x1 <sup>□</sup>		8x1,5 <sup>□</sup>		8x1,5 <sup>□</sup>		8x1,5 <sup>□</sup>				
A6D340.Y.X/E12	410						-		12x1,5 <sup>□</sup>		12x1,5 <sup>□</sup>		12x1,5 <sup>□</sup>				
A6D370.Y.X/E2	325						2x1 <sup>□</sup>		2x1,5 <sup>□</sup>		2x1,5 <sup>□</sup>		2x1,5 <sup>□</sup>				
A6D370.Y.X/E3	334						3x1 <sup>□</sup>		3x1,5 <sup>□</sup>		3x1,5 <sup>□</sup>		3x1,5 <sup>□</sup>				
A6D370.Y.X/E4	342						4x1 <sup>□</sup>		4x1,5 <sup>□</sup>		4x1,5 <sup>□</sup>		4x1,5 <sup>□</sup>				
A6D370.Y.X/E5	351	107	37	370	322		5x1 <sup>□</sup>	6.0	5x1,5 <sup>□</sup>	5.3	5x1,5 <sup>□</sup>	4.5	5x1,5 <sup>□</sup>	4.5			
A6D370.Y.X/E6	359						6x1 <sup>□</sup>		6x1,5 <sup>□</sup>		6x1,5 <sup>□</sup>		6x1,5 <sup>□</sup>				
A6D370.Y.X/E8	376						8x1 <sup>□</sup>		8x1,5 <sup>□</sup>		8x1,5 <sup>□</sup>		8x1,5 <sup>□</sup>				
A6D370.Y.X/E12	410						-		12x1,5 <sup>□</sup>		12x1,5 <sup>□</sup>		12x1,5 <sup>□</sup>				
A6D400.Y.X/E2	325						2x1 <sup>□</sup>		2x1,5 <sup>□</sup>		2x1,5 <sup>□</sup>		2x1,5 <sup>□</sup>				
A6D400.Y.X/E3	334						3x1 <sup>□</sup>		3x1,5 <sup>□</sup>		3x1,5 <sup>□</sup>		3x1,5 <sup>□</sup>				
A6D400.Y.X/E4	342						4x1 <sup>□</sup>		4x1,5 <sup>□</sup>		4x1,5 <sup>□</sup>		4x1,5 <sup>□</sup>				
A6D400.Y.X/E5	351	107	47	400	322		5x1 <sup>□</sup>	7.3	5x1,5 <sup>□</sup>	6.5	5x1,5 <sup>□</sup>	5.6	5x1,5 <sup>□</sup>	5.6			
A6D400.Y.X/E6	359						6x1 <sup>□</sup>		6x1,5 <sup>□</sup>		6x1,5 <sup>□</sup>		6x1,5 <sup>□</sup>				
A6D400.Y.X/E8	376						8x1 <sup>□</sup>		8x1,5 <sup>□</sup>		8x1,5 <sup>□</sup>		8x1,5 <sup>□</sup>				
A6D400.Y.X/E12	410						-		12x1,5 <sup>□</sup>		12x1,5 <sup>□</sup>		12x1,5 <sup>□</sup>				

AVVOLGITUBO ELETTO-IDRAULICO (6 VIE + CAVO)

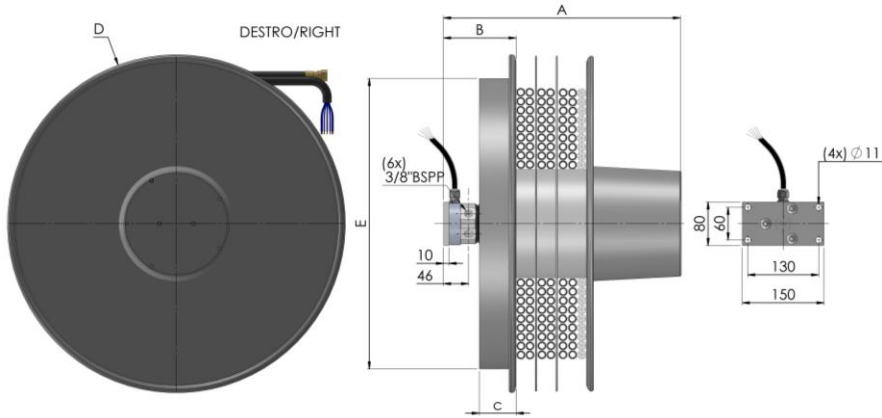
CABLE HOSE REEL (6 PORTS + CABLE)

ENROULEUR ELECTRO-HYDRAULIQUE (6 TUYAUX + CÂBLE) SCHLAUCH-KABELROLLE (6 SCHLÄUCHE + KABEL)

Max flow rate: 30 l/min  
 Working pressure: standard 300 bar  
 optional 400 bar  
 Max hose speed: 30 m/min  
 Temperature range: -20/+80°C  
 Max. Voltage: 50 V; max. current: 5 A  
 Option for mA and BUS on request  
 A6D600=modello destro/right model  
 A6S600=modello sinistro/left model



Corsa verticale verso il basso opzionale = CODICE/VD  
 Vertical downwards is optional = CODE/VD



Disegno tecnico disponibile a richiesta  
 Technical drawing available on request



Modello destro Right model	A	B	C	D	E	Senza tubo		CON TUBO (Lunghezza totale -- utile = -0,5 m) - WITH HOSE (Total length -- usable = - 0.5 m)									
						Without hose		1/4" R7 (Y=06 - X=R7)		5/16" R7 (Y=08 - X=R7)		3/8" R7 (Y=10 - X=R7)		3/8" R8 (Y=10 - X=R8)			
						kg	Cable	m	Cable	m	Cable	m	Cable	m			
A6D420.Y.X/E2	325						2x1 <sup>□</sup>		2x1.5 <sup>□</sup>		2x1.5 <sup>□</sup>		2x1.5 <sup>□</sup>				
A6D420.Y.X/E3	334						3x1 <sup>□</sup>		3x1.5 <sup>□</sup>		3x1.5 <sup>□</sup>		3x1.5 <sup>□</sup>				
A6D420.Y.X/E4	342						4x1 <sup>□</sup>		4x1.5 <sup>□</sup>		4x1.5 <sup>□</sup>		4x1.5 <sup>□</sup>				
A6D420.Y.X/E5	351	107	47	420	322		5x1 <sup>□</sup>	8.6	5x1.5 <sup>□</sup>	8.0	5x1.5 <sup>□</sup>	6.7	5x1.5 <sup>□</sup>	6.7			
A6D420.Y.X/E6	359						6x1 <sup>□</sup>		6x1.5 <sup>□</sup>		6x1.5 <sup>□</sup>		6x1.5 <sup>□</sup>				
A6D420.Y.X/E8	376						8x1 <sup>□</sup>		8x1.5 <sup>□</sup>		8x1.5 <sup>□</sup>		8x1.5 <sup>□</sup>				
A6D420.Y.X/E12	410						-		12x1.5 <sup>□</sup>		12x1.5 <sup>□</sup>		12x1.5 <sup>□</sup>				
A6D470.Y.X/E2	325						2x1 <sup>□</sup>		2x1.5 <sup>□</sup>		2x1.5 <sup>□</sup>		2x1.5 <sup>□</sup>				
A6D470.Y.X/E3	334						3x1 <sup>□</sup>		3x1.5 <sup>□</sup>		3x1.5 <sup>□</sup>		3x1.5 <sup>□</sup>				
A6D470.Y.X/E4	342						4x1 <sup>□</sup>		4x1.5 <sup>□</sup>		4x1.5 <sup>□</sup>		4x1.5 <sup>□</sup>				
A6D470.Y.X/E5	351	107	47	478	422		5x1 <sup>□</sup>	11.5	5x1.5 <sup>□</sup>	10.0	5x1.5 <sup>□</sup>	9.5	5x1.5 <sup>□</sup>	9.5			
A6D470.Y.X/E6	359						6x1 <sup>□</sup>		6x1.5 <sup>□</sup>		6x1.5 <sup>□</sup>		6x1.5 <sup>□</sup>				
A6D470.Y.X/E8	376						8x1 <sup>□</sup>		8x1.5 <sup>□</sup>		8x1.5 <sup>□</sup>		8x1.5 <sup>□</sup>				
A6D470.Y.X/E12	410						-		12x1.5 <sup>□</sup>		12x1.5 <sup>□</sup>		12x1.5 <sup>□</sup>				
A6D520.Y.X/E2	325						2x1 <sup>□</sup>		2x1.5 <sup>□</sup>		2x1.5 <sup>□</sup>		2x1.5 <sup>□</sup>				
A6D520.Y.X/E3	334						3x1 <sup>□</sup>		3x1.5 <sup>□</sup>		3x1.5 <sup>□</sup>		3x1.5 <sup>□</sup>				
A6D520.Y.X/E4	342						4x1 <sup>□</sup>		4x1.5 <sup>□</sup>		4x1.5 <sup>□</sup>		4x1.5 <sup>□</sup>				
A6D520.Y.X/E5	351	107	47	520	422		5x1 <sup>□</sup>	14.5	5x1.5 <sup>□</sup>	12.5	5x1.5 <sup>□</sup>	11.2	5x1.5 <sup>□</sup>	11.2			
A6D520.Y.X/E6	359						6x1 <sup>□</sup>		6x1.5 <sup>□</sup>		6x1.5 <sup>□</sup>		6x1.5 <sup>□</sup>				
A6D520.Y.X/E8	376						8x1 <sup>□</sup>		8x1.5 <sup>□</sup>		8x1.5 <sup>□</sup>		8x1.5 <sup>□</sup>				
A6D520.Y.X/E12	410						-		12x1.5 <sup>□</sup>		12x1.5 <sup>□</sup>		12x1.5 <sup>□</sup>				
A6D570.Y.X/E2	325						2x1 <sup>□</sup>		2x1.5 <sup>□</sup>		2x1.5 <sup>□</sup>		2x1.5 <sup>□</sup>				
A6D570.Y.X/E3	334						3x1 <sup>□</sup>		3x1.5 <sup>□</sup>		3x1.5 <sup>□</sup>		3x1.5 <sup>□</sup>				
A6D570.Y.X/E4	342						4x1 <sup>□</sup>		4x1.5 <sup>□</sup>		4x1.5 <sup>□</sup>		4x1.5 <sup>□</sup>				
A6D570.Y.X/E5	351	107	47	570	422		5x1 <sup>□</sup>	17.5	5x1.5 <sup>□</sup>	15.5	5x1.5 <sup>□</sup>	13.5	5x1.5 <sup>□</sup>	13.5			
A6D570.Y.X/E6	359						6x1 <sup>□</sup>		6x1.5 <sup>□</sup>		6x1.5 <sup>□</sup>		6x1.5 <sup>□</sup>				
A6D570.Y.X/E8	376						8x1 <sup>□</sup>		8x1.5 <sup>□</sup>		8x1.5 <sup>□</sup>		8x1.5 <sup>□</sup>				
A6D570.Y.X/E12	410						-		12x1.5 <sup>□</sup>		12x1.5 <sup>□</sup>		12x1.5 <sup>□</sup>				
A6D600.Y.X/E2	325						2x1 <sup>□</sup>		2x1.5 <sup>□</sup>		2x1.5 <sup>□</sup>		2x1.5 <sup>□</sup>				
A6D600.Y.X/E3	334						3x1 <sup>□</sup>		3x1.5 <sup>□</sup>		3x1.5 <sup>□</sup>		3x1.5 <sup>□</sup>				
A6D600.Y.X/E4	342						4x1 <sup>□</sup>		4x1.5 <sup>□</sup>		4x1.5 <sup>□</sup>		4x1.5 <sup>□</sup>				
A6D600.Y.X/E5	351	107	47	620	532		5x1 <sup>□</sup>	21.0	5x1.5 <sup>□</sup>	17.0	5x1.5 <sup>□</sup>	16.0	5x1.5 <sup>□</sup>	16.0			
A6D600.Y.X/E6	359						6x1 <sup>□</sup>		6x1.5 <sup>□</sup>		6x1.5 <sup>□</sup>		6x1.5 <sup>□</sup>				
A6D600.Y.X/E8	376						8x1 <sup>□</sup>		8x1.5 <sup>□</sup>		8x1.5 <sup>□</sup>		8x1.5 <sup>□</sup>				
A6D600.Y.X/E12	410						-		12x1.5 <sup>□</sup>		12x1.5 <sup>□</sup>		12x1.5 <sup>□</sup>				

AVVOLGITUBO SERIE "RT" PER VEICOLI DI PRONTO INTERVENTO  
ENROULEURS SÉRIE "RT" POUR VEHICULES DE SECOURS

"RT" - RESCUE TOOLS HOSE REELS

"RT" - SCHLAUCHROLLEN FÜR RETTUNGSGERÄTE

RT



Max flow rate: 40 l/min  
Working pressure: max 700 bar  
Temperature range: -20/+80°C

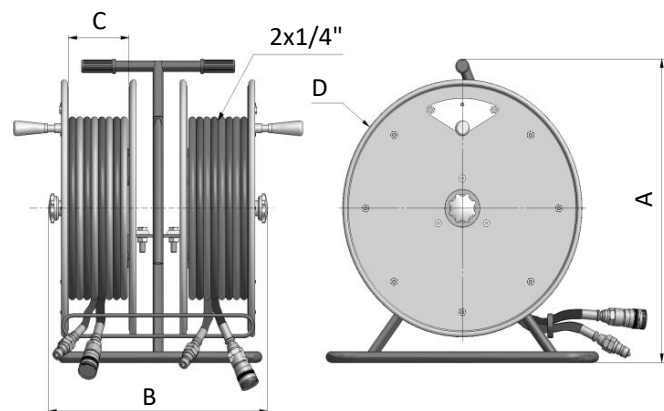
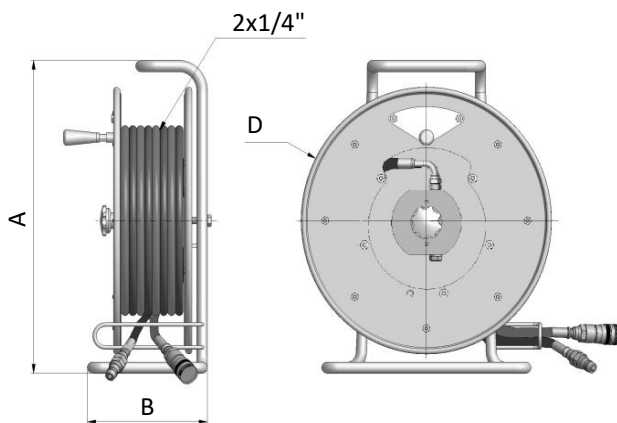


Disegno tecnico disponibile a richiesta  
Technical drawing available on request



RT1

RT2



Modello Model	PRESSIONE MAX. MAX PRESSURE		A	B	C	D	AVVOLGITUBO HOSE REEL	SUPPORTO SUPPORT	TUBO		COMPLETO COMPLETE
	bar	MPa							Tubo/Type		
RT1.20.35	350	35	500	200	115	420			1/4" T2 - 20m		
RT1.30.35			580			478			1/4" T2 - 30m		
RT1.50.35			620	210	150	520			1/4" T2 - 50m		
RT1.20.70	700	70	500	200	115	420			1/4" Z3 - 20m		
RT1.30.70			580			478			1/4" Z3 - 30m		
RT1.50.70			620	210	150	520			1/4" Z3 - 50m		
RT2.20.35	350	35	500	385	115	420			2 x 1/4" T2 - 20m		
RT2.30.35						478			2 x 1/4" T2 - 30m		
RT2.20.70	700	70				420			2 x 1/4" Z3 - 20m		
RT2.30.70						478			2 x 1/4" Z3 - 30m		

TUBI BINATI COMPATIBILI CON AVVOLGITORI "RT"






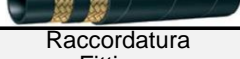
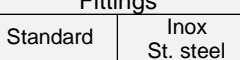

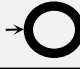




TWIN HOSES COMPATIBLE WITH "RT" REELS

TUYAUX JUMELÉ COMPATIBLES AVEC ENROULEURS "RT"

ZWEIFACHSCHLÄUCHE KOMPATIBEL MIT "RT" SCHLAUCHROLLEN






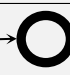
Diametro nominale Nominal diameter					TIPO TYPE			Raccordatura Fittings	
INCH								Standard	Inox Stainless steel
1/4"	6.30	13.50 14.50	40	0.53	T2	375	-40 / +100		
			40	0.53	Z3	700	-40 / +100		

**TUBI IDRAULICI SINGOLI**  
**TUYAUX IDRAULIQUES**
**SINGLE HYDRAULIC HOSES**  
**HYDRAULISCHE EINFACHSCHLÄUCHE**
**TU1**

<b>B1</b>		TERMOPLASTICO CON 1 TRECCIA D'ACCIAIO DI RINFORZO - THERMOPLASTIC WITH 1 STEEL BRAID REINFORCEMENT						
<b>1SN</b>		GOMMA SINTETICA CON 1 TRECCIA D'ACCIAIO DI RINFORZO - SYNTHETIC RUBBER WITH 1 STEEL BRAID REINFORCEMENT						
<b>I21 / I40 2SN / 2SC</b>		GOMMA SINTETICA CON 2 TRECCE D'ACCIAIO DI RINFORZO - SYNTHETIC RUBBER WITH 2 STEEL BRAIDS REINFORCEMENT						
<b>T2</b>		TERMOPLASTICO CON 2 TRECCE D'ACCIAIO DI RINFORZO - THERMOPLASTIC WITH 2 STEEL BRAIDS REINFORCEMENT						
<b>B3 / Z3</b>		TERMOPLASTICO CON 2 TRECCE D'ACCIAIO/FIBRA DI RINFORZO - THERMOPLASTIC WITH 2 STEEL/FIBER BRAIDS REINFORCEMENT						
<b>4SP 4SH</b>		GOMMA SINTETICA CON 4 TRECCE D'ACCIAIO DI RINFORZO - SYNTHETIC RUBBER WITH 4 STEEL BRAIDS REINFORCEMENT						
<b>462</b>		<b>Appr. ABS</b>	GOMMA SINTETICA - 2 TRECCE ACCIAIO DI RINFORZO	<b>ABS approval</b>	SYNTHETIC RUBBER - 2 STEEL BRAIDS REINFORCEMENT			
					TIPO TYPE		Raccordatura Fittings	
INCH [mm]	mm	mm	Kg/m	bar		°C	Standard	Inox St. steel
<b>1/4"</b> [6,35]	12.1	50	0.15	210	I21	-40 / + 135		
	14.1	100	0.21	225	1SN	-40 / + 100		
	12.2	30	0.17	310	B1	-40 / + 100		
	12.8	40	0.25	400	T2	-40 / + 100		
	13.5	70	0.29	400	2SC	-40 / + 120		
	13.4	70	0.28	400	I40	-40 / + 135		
	13.4	75	0.30	425	<b>462</b>	-40 / + 100		
<b>5/16"</b> [8,10]	14.5	40	0.26	700	Z3	-40 / + 100		
	14.1	60	0.22	210	I21	-40 / + 135		
	15.7	115	0.33	215	1SN	-40 / + 100		
	13.4	55	0.19	250	B1	-40 / + 100		
	15	80	0.35	350	2SC	-40 / + 120		
<b>3/8"</b> [9,53]	14.8	50	0.32	400	T2	-40 / + 100		
	15	85	0.35	400	<b>462</b>	-40 / + 100		
	18.1	130	0.34	180	1SN	-40 / + 100		
	15.6	65	0.26	210	I21	-40 / + 135		
	16	65	0.26	225	B1	-40 / + 100		
	16.8	65	0.38	330	T2	-40 / + 100		
	17.9	90	0.47	330	2SC	-40 / + 120		
<b>1/2"</b> [12,7]	17.2	90	0.42	350	<b>462</b>	-40 / + 100		
	16.6	120	0.40	420	B3	-40 / + 100		
	21.4	178	0.78	445	4SP	-40 / + 100		
	21.5	180	0.45	160	1SN	-40 / + 100		
	18.3	85	0.30	190	B1	-40 / + 100		
	19.5	90	0.41	210	I21	-40 / + 135		
	20.3	95	0.23	245	R8	-40 / + 100		
	20.2	85	0.48	260	T2	-40 / + 100		
<b>5/8"</b> [16]	20.6	120	0.56	275	2SC	-40 / + 120		
	20.4	130	0.52	310	<b>462</b>	-40 / + 100		
	20.2	150	0.52	350	B3	-40 / + 100		
	20.6	120	0.51	400	I40	-40 / + 135		
	24.6	230	0.93	415	4SP	-40 / + 100		
<b>3/4"</b> [19]	24.7	200	0.51	130	1SN	-40 / + 100		
	23.7	115	0.56	220	T2	-40 / + 100		
	24.3	130	0.67	250	2SC	-40 / + 120		
	28.5	250	1.13	360	4SP	-40 / + 100		
<b>1"</b> [25]	27	110	0.34	45	2TE	-40 / + 100		
	28.6	240	0.64	105	1SN	-40 / + 100		
	27.8	170	0.72	150	T2	-40 / + 100		
	27.7	160	0.90	215	2SC	-40 / + 120		
	27.7	196	0.86	280	<b>462</b>	-40 / + 100		
	32	300	1.53	350	4SP	-40 / + 100		
<b>1.1/4"</b> [32]	36.6	300	0.97	88	1SN	-40 / + 100		
	35.8	160	1.17	210	2SC	-40 / + 120		
	35.4	250	1.17	210	<b>462</b>	-40 / + 100		
	38.7	340	2.09	380	4SH	-40 / + 100		
<b>1.1/2"</b> [38]	44.8	420	1.09	63	1SN	-40 / + 100		
	49.6	420	1.90	125	2SN	-40 / + 100		
	45.5	460	2.51	325	4SH	-40 / + 100		
<b>1.1/2"</b> [38]	52	500	1.33	50	1SN	-40 / + 100		
	56	500	2.30	90	2SN	-40 / + 100		
	53.5	560	3.42	290	4SH	-40 / + 100		







<b>R7 R8</b>	TERMOPLASTICO CON TRECCIA TESSILE DI RINFORZO THERMOPLASTIC WITH TEXTILE BRAID REINFORCEMENT	
<b>B1</b>	TERMOPLASTICO CON 1 TRECCIA D'ACCIAIO DI RINFORZO THERMOPLASTIC WITH 1 STEEL BRAID REINFORCEMENT	
<b>B2</b>	GOMMA CON 2 TRECCE D'ACCIAIO DI RINFORZO RUBBER WITH 2 STEEL BRAIDS REINFORCEMENT	
<b>T2</b>	TERMOPLASTICO CON 2 TRECCE D'ACCIAIO DI RINFORZO THERMOPLASTIC WITH 2 STEEL BRAIDS REINFORCEMENT	
<b>B3 Z3 HDH</b>	TERMOPLASTICO CON 2 TRECCE D'ACCIAIO/FIBRA DI RINFORZO THERMOPLASTIC WITH 2 STEEL/FIBER BRAIDS REINFORCEMENT	
<b>R18 CPLT5000</b>	TERMOPLASTICO PER BASSE TEMPERATURE THERMOPLASTIC - LOW TEMPERATURE	

Diametro nominale Nominal diameter						TIPO			Raccordatura Fittings	
INCH			mm			Kg/m			TYPE	bar
<b>3/16"</b>	5.00	9.70	30	0.24	B1	360	-40 / +100			
<b>1/4"</b>	6.30	12.20	30	0.20	R7	210	-40 / +100			
		12.20	35	0.20	R18	210	-55 / +100			
		11.70	40	0.33	B1	310	-40 / +100			
		11.50	30	0.34	R8	350	-40 / +100			
		12.80	40	0.50	T2	400	-40 / +100			
		13.40	75	0.60	B2	425	-40 / +100			
<b>5/16"</b>	8.10	14.50	40	0.53	Z3	700	-40 / +100			
		14.40	45	0.25	R7	190	-40 / +100			
		14.30	45	0.26	R18	210	-55 / +100			
		13.40	55	0.37	B1	250	-40 / +100			
		14.40	45	0.25	R8	300	-40 / +100			
<b>3/8"</b>	10.00	14.80	50	0.63	T2	400	-40 / +100			
		16.00	55	0.29	R7	160	-40 / +100			
		16.60	45	0.33	R18	210	-55 / +100			
		16.00	65	0.53	B1	225	-40 / +100			
		16.00	55	0.29	R8	280	-40 / +100			
		16.20	60	0.32	HRETR8	280	-40 / +100			
		17.00	65	0.84	T2	330	-40 / +100			
		17.20	90	0.85	B2	350	-40 / +100			
<b>1/2"</b>	12.50	16.60	120	0.80	B3	420	-40 / +100			
		18.30	85	0.60	B1	190	-40 / +100			
		22.50	70	0.59	R18	210	-55 / +100			
		20.00	75	0.42	R8	245	-40 / +100			
		20.20	85	0.90	T2	260	-40 / +100			
		20.40	130	1.00	B2	310	-40 / +100			
		21.30	80	0.78	CPLT5000	350	-55 / +100			
		20.20	150	1.04	B3	350	-40 / +100			
<b>5/8"</b>	16.00	25.00	160	1.32	B3	250	-40 / +100			
<b>3/4"</b>	19.00	28.50	150	1.11	HDH	250	-40 / +100			





**TUBI A 3 VIE**  
**TUYAU À 3 VOIES**
**3 PORT HOSES**  
**DREIFACH-SCHLÄUCHE**

TU 3

Diametro nominale Nominal diameter				TIPO TYPE			Raccordatura Fittings		
INCH	mm						mm	Kg/m	bar
1/4"	6.35	12.2	30	0.285	R7	210	-40 / +100		
		11.7	40	0.495	B1	310	-40 / +100		
5/16"	8,10	14.4	45	0.375	R7	190	-40 / +100		
		13.4	55	0.558	B1	250	-40 / +100		
		14.8	50	0.945	T2	400	-40 / +100		
3/8"	9,53	16	65	0.792	B1	225	-40 / +100		
		16	55	0.440	R8	280	-40 / +100		
		17	65	1.260	T2	330	-40 / +100		
1/2"	12,70	16.6	90	1.200	B3	420	-40 / +100		
		18.4	85	0.900	B1	190	-40 / +100		
		20.3	75	0.660	R8	245	-40 / +100		
		20.2	85	1.350	T2	275	-40 / +100		
5/8"	16,00	20.2	150	1.560	B3	350	-40 / +100		
		21.3	80	1.170	CPLT5000	350	-55 / +100		


**TUBI A 4 VIE**  
**TUYAU À 4 VOIES**
**4 PORT HOSES**  
**VERFACH-SCHLÄUCHE**

TU 4

Diametro nominale Nominal diameter				TIPO TYPE			Raccordatura Fittings		
INCH	mm						mm	Kg/m	bar
3/8"	9.53	16	55	0.580	R7	160	-40 / +100		



## TUBI A 2 VIE + CAVO

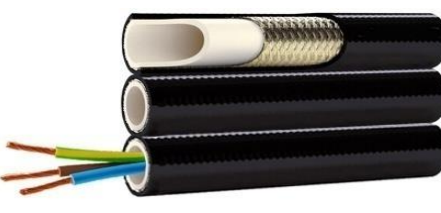
## 2 PORT HOSES + CABLE

TU 3/E

## TUYAUX À 2 VOIES + CÂBLE

## ZWEIFACH-SCHLÄUCHE + KABEL

Diametro nominale Nominal diameter				TIPO TYPE			Raccordatura Fittings		
INCH	mm			TUBO HOSE	CAVO CABLE			Standard	Inox Stainless st.
1/4"	6.35	11.7	40	0.591	B1	4X1	310		
5/16"	8.10	13.4	55	0.700	B1	6X1	250		
1/2"	12.7	18.4	85	1'188	B1	12X1	190		
		20.2	150	1'848	B3	12X1	350		



## TUBI BINATI + CAVO

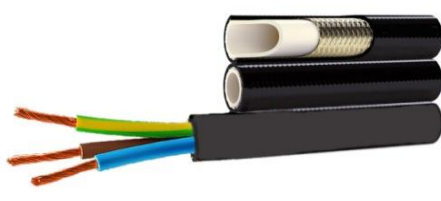
## TWIN HOSES + CABLE

TU 2+E

## TUYAUX JUMELÉS + CÂBLE

## DOPPELSCHLÄUCHE + KABEL

Diametro nominale Nominal diameter				TIPO TYPE			Raccordatura Fittings		
INCH	mm			TUBO HOSE	CAVO CABLE			Standard	Inox Stainless st.
1/4"	6.35	12.2	30	0.381	R7	8x1	210		
		11.7	40	-	B1	8x1	310		
5/16"	8.10	14.4	45	0.517	R7	12x1,5	190		
		14.3	45	0.515	R18	12x1 Sc	210		
3/8"	9.53	16	55	0.665	R7	12x1,5	160		
		16	65	-	B1	12x1,5	225		
		16	65	0.910	B1	16x1,5	225		
		16	55	0.665	R8	12x1,5	280		
		16.6	90	1.175	B3	12x1,5	420		
1/2"	12.7	16.6	90	1.185	B3	12x1,5 Sc	420		
		21.3	70	-	R18	18x1,5 Sc	210		
		20.2	85	1.300	T2	12x1,5	260		



## TUBI A 4 VIE + CAVO

## 4 PORT HOSES + CABLE

TU 4+E

## TUYAUX À 4 VOIES + CÂBLE

## VIERFACH-SCHLÄUCHE + KABEL

Diametro nominale Nominal diameter				TIPO TYPE			Raccordatura Fittings	Posizione del cavo Cable position	
INCH	mm			TUBO HOSE	CAVO CABLE				Standard
5/16"	8.10	14.3	45	0.827	R18	12x1 Sc	210		
		Tipo 1 - Cavo in mezzo Type 1 - Cable in the middle							
		14.3	45	0.827	R18	12x1 Sc	210		
		Tipo 2 - Cavo laterale Type 2 - Lateral cable							
		14.3	45	0.827	R18	12x0,5 Sc	210		
		Tipo 3 - Cavo in mezzo - Inserito nel tubo Type 3 - Cable in the middle - Inside the hose							

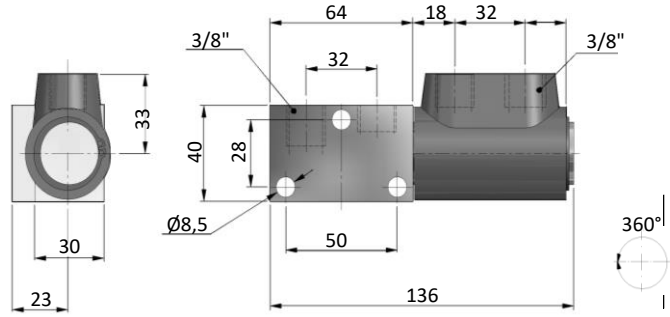
GIUNTI GIREVOLI A 2 VIE IDRAULICHE  
JOINTS TOURNANTS - 2 VOIES

2 PORT SWIVEL BLOCKS  
SCHWENKGELLENKE - 2 FACH

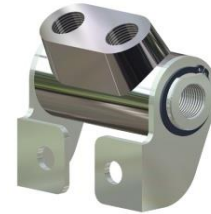
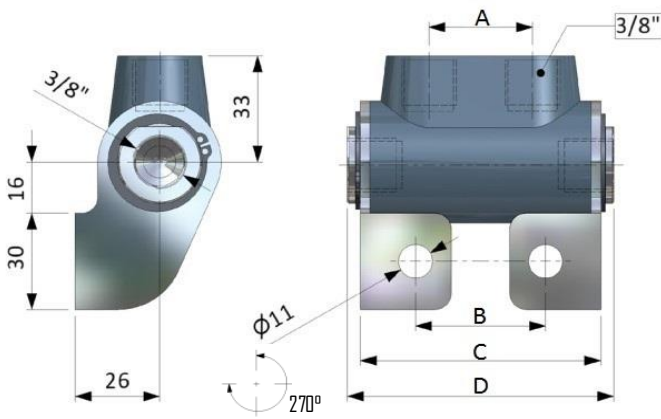
GR-2



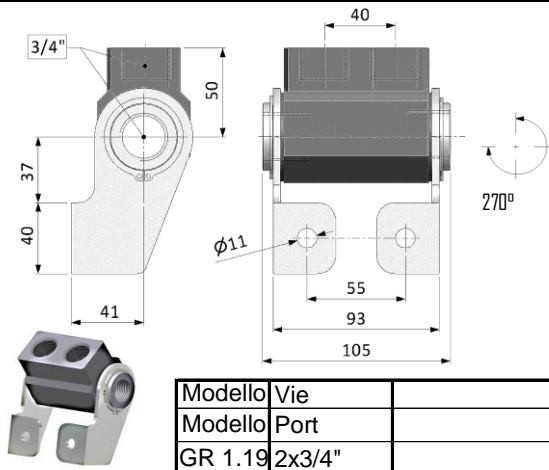
Pressione mass. di esercizio  
Max. working pressure:  
24 Mpa



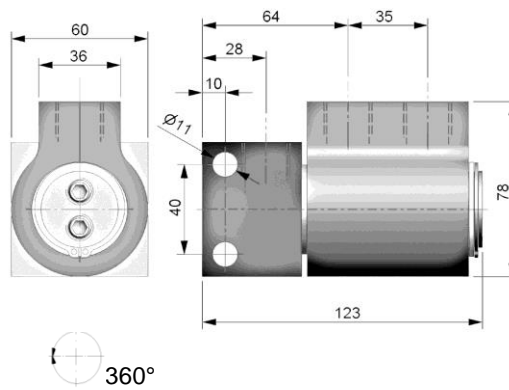
Modello	Vie	
Modello	Port	
GR 2.10	2x3/8"	



MODELLO					VIE	
MODEL	A	B	C	D	PORT	
GR 1.06	32	40	74.5	82	2x1/4"	
GR 1.10	32	40	74.5	82	2x3/8"	
GR 5.06	27	29	63.5	71	2x1/4"	
GR 5.10	27	29	63.5	71	2x3/8"	



Modello	Vie	
Modello	Port	
GR 1.19	2x3/4"	



Modello	Vie	
Modello	Port	
GR 2.12	2x1/2"	



GIUNTI GIREVOLI "SERIE 9900" - 2 VIE  
 JOINTS TOURNANTS "SÉRIE 9900" - 2 VOIES

"SERIE 9900" SWIVEL BLOCKS - 2 PORT  
 SCHWENKGELENKE "SERIE 9900" - 2 FACH

9900

9900

3/8" BSP

180°

9900.01

3/8" BSP

3/8" BSP

56

9900.02

3/8" BSP

3/8" BSP

O-ring

9/16" JIC

56

9900.03

3/8" BSP

9/16" JIC

JIC 37°

56

9900.04

9/16" JIC

9/16" JIC

JIC 37°

56

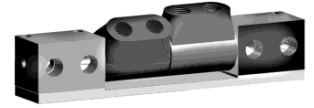
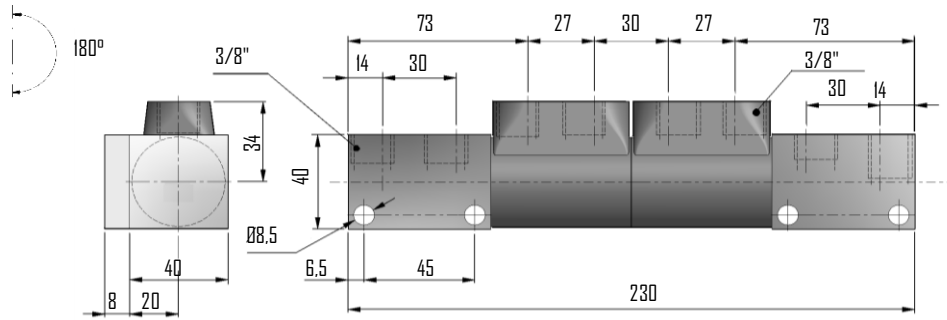
**GIUNTI GIREVOLI A 4 VIE IDRAULICHE**  
**JOINTS TOURNANTS - 4 VOIES**

**4 PORT SWIVEL BLOCKS**  
**SCHWENKGELLENKE - 4 FACH**

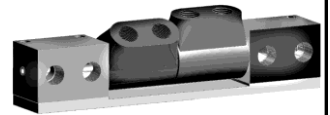
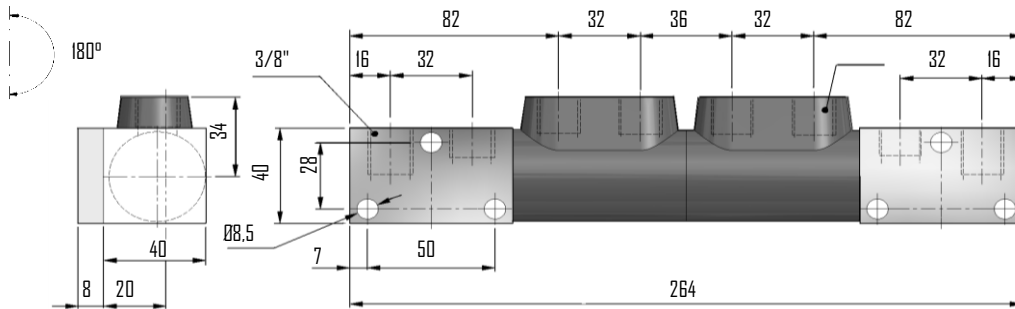
**GR-4**



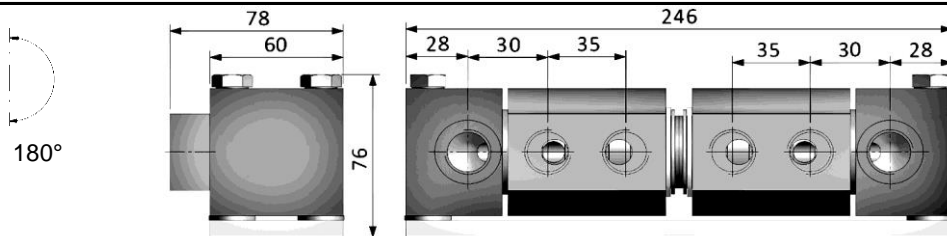
Pressione mass. di esercizio:	24 Mpa
Max. working pressure:	



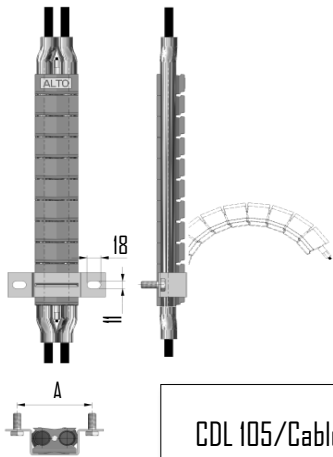
Modello	Vie	
Modello	Port	
GR 4.10	4x3/8"	



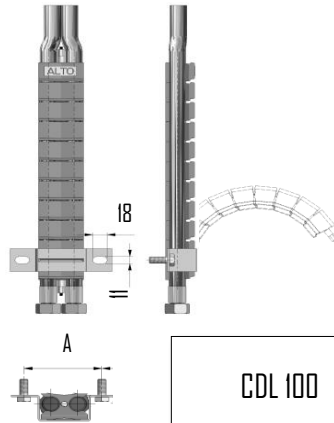
Modello	Vie	
Modello	Port	
GR 4.12	4x3/8"	



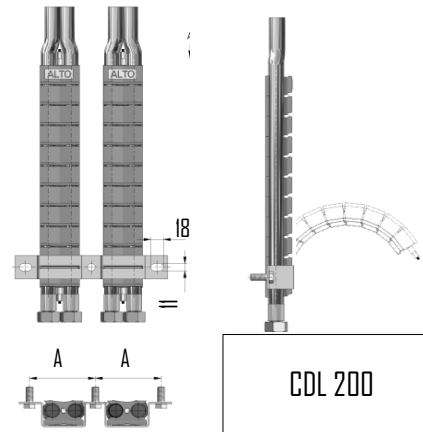
Modello	Vie	
Modello	Port	
GR.12	4x1/2"	



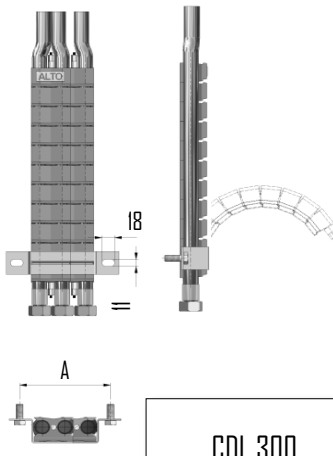
CDL 105/Cable



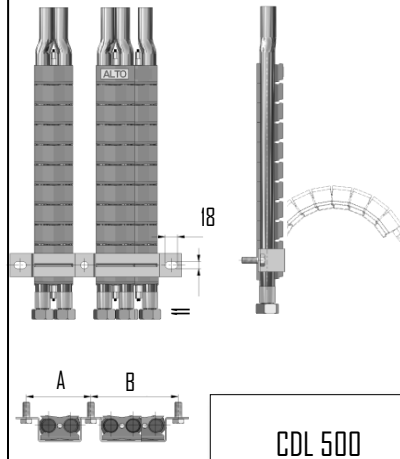
CDL 100



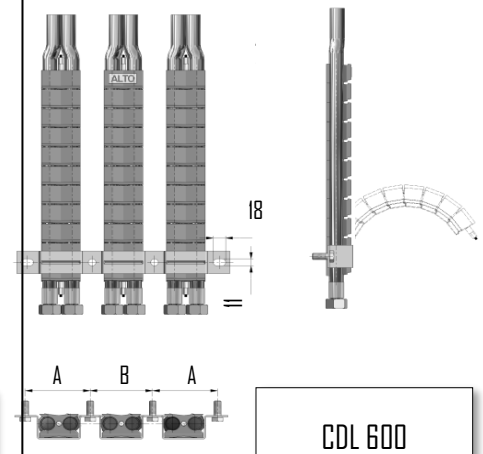
CDL 200



CDL 300

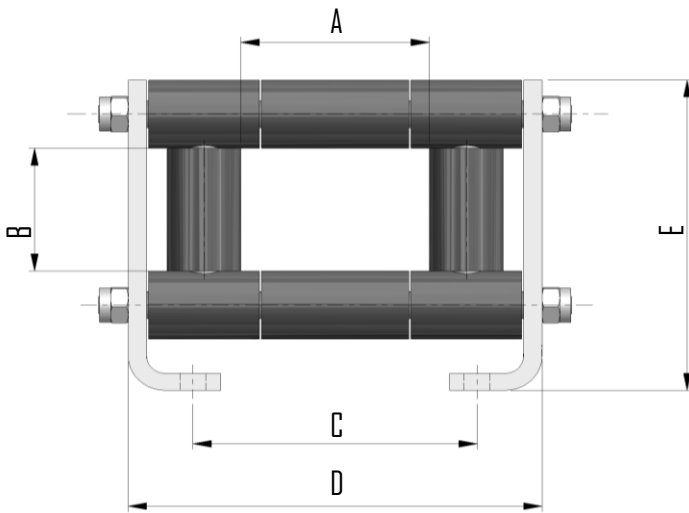


CDL 500



CDL 600

MODELLO MODEL		CODICE CODE	VIE PORT	A mm	B mm	
CDL 105/Cable	CDL 105/Cable	301.07.22	N°1 Cable 3x1,5	86		
CDL 100	CDL 105	301.07.21	2x3/16"	86	-	
	CDL 106	301.07.18	2x1/4"			
	CDL 108	301.07.19	2x5/16"			
	CDL 110	301.07.20	2x3/8"			
	CDL 112	301.07.06	2x1/2"	98	-	
CDL 116	301.06.84	2x5/8"				
CDL 200	CDL 206	301.06.05	4x1/4"	77.5	-	
	CDL 208	301.07.23	4x5/16"			
	CDL 210	301.07.24	4x3/8"			
	CDL 212	301.07.25	4x1/2"	89	-	
CDL 300	CDL 306	301.07.26	3x1/4"	117	-	
	CDL 308	301.07.27	3x5/16"			
	CDL 310	301.07.28	3x3/8"	136	-	
	CDL 312	301.06.68	3x1/2"			
CDL 316	301.07.29	3x5/8"				
CDL 500	CDL 506	301.07.30	5x1/4"	77.5	110	
	CDL 508	301.07.31	5x5/16"			
	CDL 510	301.07.32	5x3/8"	89	120	
	CDL 512	301.07.11	5x1/2"			
CDL 600	CDL 606	301.07.33	6x1/4"	78	68	
	CDL 608	301.07.34	6x5/16"			
	CDL 610	301.07.08	6x3/8"			



MODELLO MODEL	A mm	B mm	C mm	D mm	E mm	○	○○	○○○	○○○○	
9302	36	36	54	96	95	1/4"	1/4"	--	--	
						5/16"	--	--	--	
						3/8"	--	--	--	
						1/2"	--	--	--	
9300	56	36	74	116	95	--	--	1/4"	--	
						--	5/16"	5/16"	--	
						--	3/8"	--	--	
						--	1/2"	--	--	
9301	110	36	128	170	95	--	--	--	1/4"	
						--	--	--	5/16"	
						--	--	3/8"	3/8"	
						--	--	1/2"	1/2"	
9303	56	60	74	116	119	1 1/4"	--	--	--	
9304	110	60	128	170	119					
9305	56	110	74	116	169					
9306	110	110	169	128	170					
9309	(2x)45	36	128	170	95					